



# Introducing the **PKHT24** High Temperature Glasswasher

**Higher temperatures mean cleaner glasses.** The new Perlick **PKHT24 High Temperature Commercial Glasswasher** sanitizes glasses with 180°F heat for sparkling clean glassware with no chemical flavor or residue – even removing lipstick stains. The new PKHT24 High Temperature Commercial Glasswasher sets a new standard in underbar automatic glasswashers with the newest technology and long-lasting durability. The unit offers easy setup and use. A booster heater increases the hot water temperature to 180°F – the temperature where real sanitizing begins – for the final rinse.

- Removes lipstick and other residue for the cleanest glasses
- All stainless steel construction, with a 16-gauge stainless steel wash tank
- Washes 600 glasses per hour or 30 racks (20 glasses per 20 x 20 rack)
- Uses only .75 gallons of water per cycle
- Booster heater increases the hot water temperature to 180°F for the final three-minute rinse cycle
- Detergent and rinse chemical pumps
- Fresh water rinse through upper and lower arms – rotating arms provide maximum glass surface coverage
- Removable stainless steel pump protection screen for easy cleaning
- Large 11-1/4-inch door opening and raised wash chamber to reduce bending over to remove racks
- Digital LED temperature gauges and top-mounted controls for easy operation and monitoring
- Comes standard with 6-inch legs to raise height for ease of use



QUALITY & INNOVATION  
THAT **INSPIRES**



# HIGH TEMPERATURE GLASSWASHER PKHT24

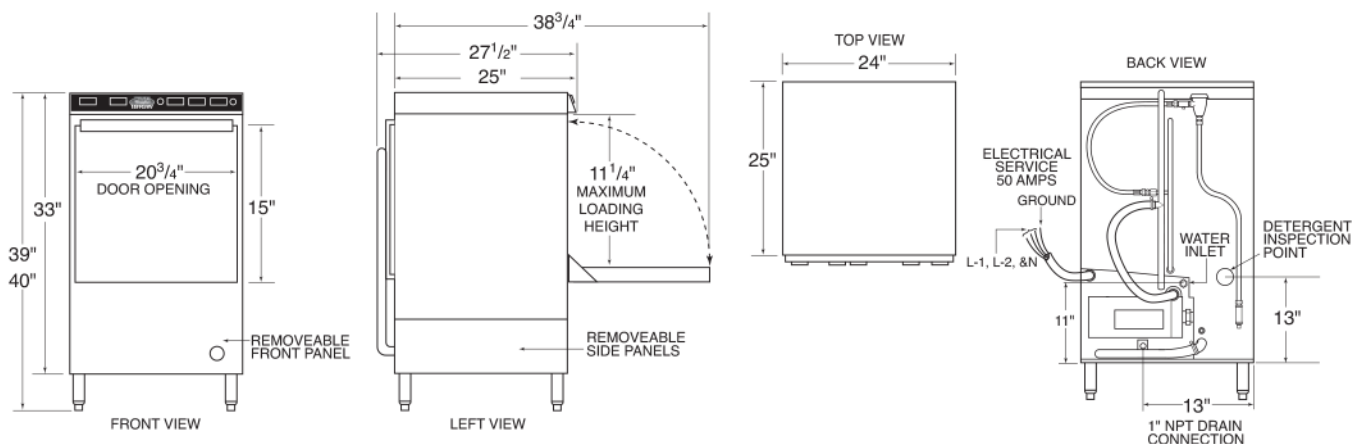
The PKHT24 High Temperature Glasswasher provides hot water sanitizing at 180°F through the use of a built-in booster heater. The Safety-Temp feature ensures proper temperatures in the final rinse by holding the wash cycle in run mode until the 180°F rinse temperature is detected.

The PKHT24 is constructed of all stainless steel and comes standard with upper and lower stainless steel wash and final rinse arms, digital LED temperature gauges and easy-to-operate controls. It uses standard 20" x 20" glass racks.

<b>WATER CONSUMPTION, GALLONS (LITERS)</b>	<b>Per Rack</b>	.75 (2.83)
	<b>Per Hour</b>	17.9 (67.6)
<b>OPERATING CYCLE</b>	<b>Wash Time, Seconds</b>	94
	<b>Rinse Time, Seconds</b>	16
	<b>Dwell Time, Seconds</b>	10
	<b>Total Cycle Time</b>	2 Minutes
	<b>Glasses per Hour</b>	600
<b>OPERATING CAPACITY</b>	<b>Wash Tank Capacity, Gallons</b>	2.5 (9.46)
	<b>Pump Capacity, Gallons per Minute (lt)</b>	38 (144)
	<b>Required Minimum Temperature*</b>	110°F (43°C)
<b>WATER REQUIREMENTS</b>	<b>Recommended Temperature**</b>	140°F (60°C)
	<b>Water Inlet, Inches (mm)</b>	1/2 NPTM (127)
	<b>Drain Connection, Inches (mm)</b>	1 (254) IPS PVC socket to include an air gap
	<b>Rinse Pressure Set</b>	20 +- 5psi (1.41 kg/cm <sup>2</sup> )

<b>CYCLE TEMPERATURES</b>	<b>Wash</b>	150-160°F (65.5-71°C)
	<b>Rinse</b>	180-195°F (82-90°C)
<b>FRAME DIMENSIONS</b>	<b>Depth, Inches (mm)</b>	25 (635)
	<b>Width, Inches (mm)</b>	24 (610)
	<b>Height, Inches (mm)</b>	33-1/4 (845)
	<b>Maximum Clearance For Dishes, Inches (mm)</b>	11-1/4 (286)
	<b>WASH PUMP MOTOR</b>	1 HP NEED
<b>ELECTRICAL RATING</b>	<b>Volts</b>	208 U.S./230 Metric
	<b>Hz</b>	1 PH-60 Hz
	<b>Total Amps</b>	33
<b>Must connect to 50 amp supply circuit.</b>	<b>Booster Heater KW</b>	5.3 kw U.S./ 6.5 kw Metric
	<b>This system requires three power wires, which includes a current-carrying neutral wire. An additional fourth wire must be provided for grounding the machine.</b>	
<b>APPROXIMATE SHIPPING WEIGHT, Lbs. (kg)</b>	234 (106)	

\* For machine having Safety-Temp feature  
\*\* For faster heat recovery



**Warning:** Electrical and plumbing connections must be made by a qualified service person who complies with all federal, state and local health, electrical, plumbing and safety codes.

Form No. 95192  
Rev. 09.10.2013