

# PASS-THRU STATION – 78" X 32"

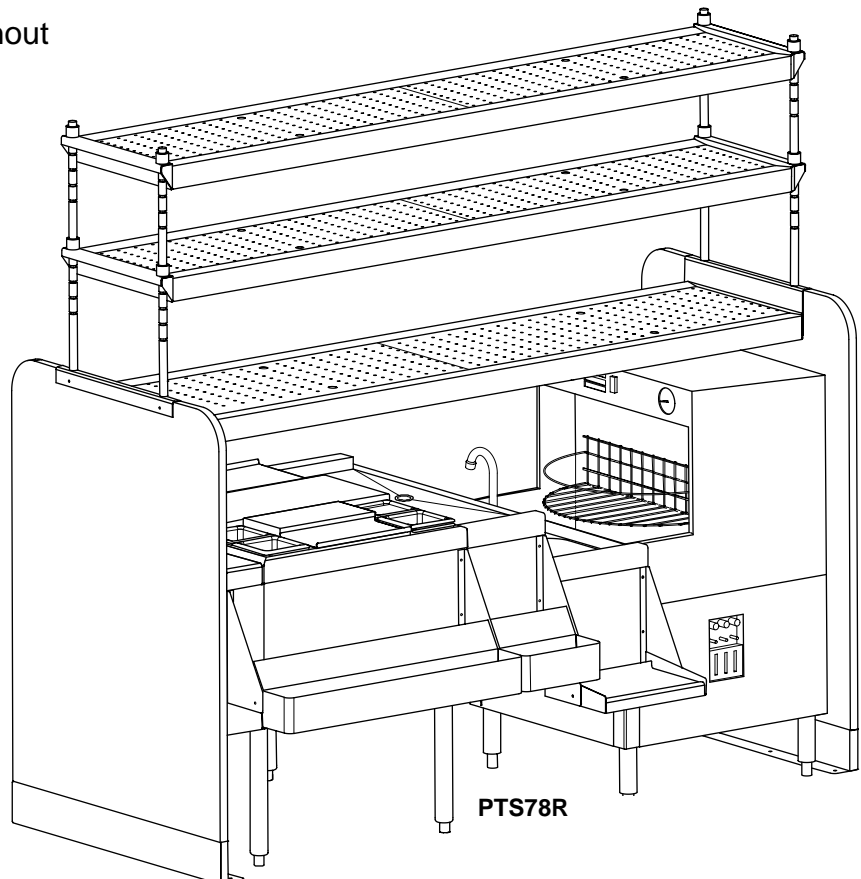
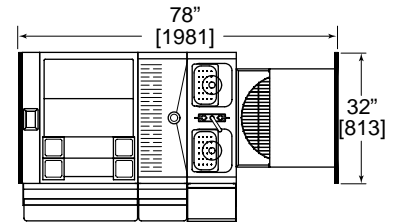
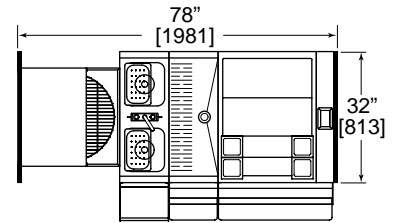
## Perlick Features

- Glasswasher with chemical controls conveniently located on bartender side.
- Dual rinse sinks with commercial grade water faucet easily accommodates wet waste.
- Pass-Thru ice bin with 8 circuit cold plate.
- Embossed stainless steel drainboard.
- Filler section with access cutout and chase provides opening for beverage lines.
- Stainless steel end panels with floor mounting brackets.
- One fixed and two adjustable over shelves provide abundant and flexible glass storage.
- Stainless steel legs install without tools and have "rust free" thermoplastic feet.

PTS78L

PTS78R

## MODEL NOS.



8300 West Good Hope Road • Milwaukee, WI 53223 • Phone 414-353-7060 • Fax 414-353-7069  
Toll Free 800-558-5592 • E-Mail: [Perlick@Perlick.com](mailto:Perlick@Perlick.com) • [www.Perlick.com](http://www.Perlick.com)

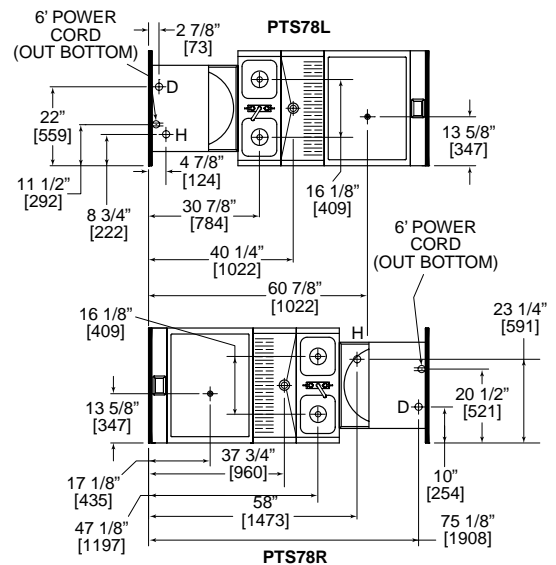
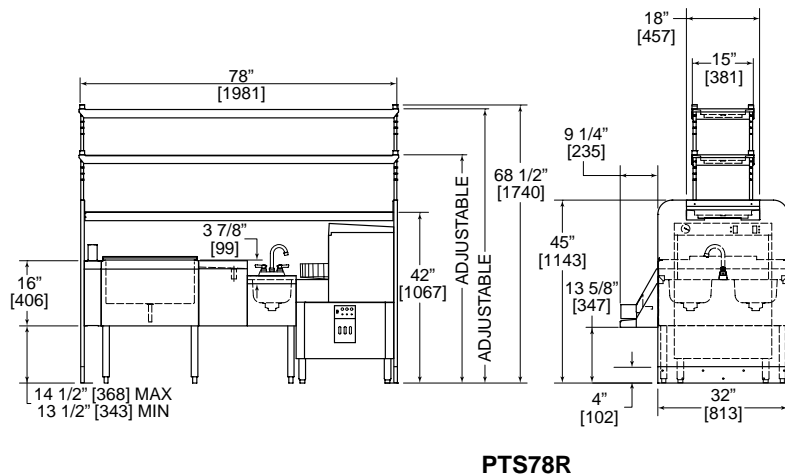
Form No. PTS78  
Rev. 03.30.05

# Sizes and Specifications

## Pass-Thru Station – 78" x 32"

Job \_\_\_\_\_  
 Area \_\_\_\_\_  
 Item No. \_\_\_\_\_  
 Model No. \_\_\_\_\_

MODEL NOS.	PTS78L	PTS78R
LENGTH INS. (mm)	78" (1981)	78" (1981)
SHIP WT lbs. (kg)	890 (404)	890 (404)
GENERAL	All exterior parts made from stainless steel. Bottom pans, where applicable made from galvanized steel.	
LEGS	1 <sup>5</sup> / <sub>8</sub> " tubular, stainless steel with 1" adjustable thermoplastic foot.	
FILLER SECTION	<b>Model No. PT4CO: Dimensions - 4<sup>1</sup>/<sub>4</sub>" x 32". Chase - 2<sup>3</sup>/<sub>4</sub>" x 6" x 4"</b>	
ICE CHEST	<b>Model No. PT24IC8: Dimensions - 24" x 32": Ice Capacity - 95 lbs., Drain Connection - 1/2" NPS. Bottle Wells - 4 Bottle Wells with 4 piece cover. Cold Plate - 8 circuit cast aluminum plate concealed under ice chest liner. 5/16" O.D. stainless steel tubing with swaged end to accept standard 1/4" I.D. beverage tubing.</b>	
DRAINBOARD	<b>Model No. PT12: Dimensions - 12" x 32": Embossed stainless steel. Drain Connection - 1/2" NPS Male.</b>	
SINK	<b>Model No. PT12S2: Dimensions - 12" x 32": Bowl Size - 10<sup>5</sup>/<sub>8</sub>" x 9<sup>5</sup>/<sub>8</sub>" x 6" deep. Undercoated to absorb sound. Drain Connection - 1 1/2" NPS Male. Faucet - Deck mounted, NSF listed, commercial grade hot/cold, chrome plated, goose neck spout. Supply Connection - 1/2" IPS shanks and nuts. Wet Waste Box: 2 perforated plastic 1/4 size pans.</b>	
GLASSWASHER	<b>Model No. PKBR24L</b>	<b>Model No. PKBR24R</b>
	<b>Chemical Controls - Left Side facing Bartender.</b>	<b>Chemical Controls - Right Side facing Bartender.</b>
	<b>Dimensions - 24" x 24": Cycle Time - 120 seconds. Electrical - 120 Volt, 60 Hz, single phase AC, 5.4 amps, furnished with 6 foot power cord and standard 3 prong NEMA style 5-15P. Hot Water Connection - 1/2" NPTM. Drain Connection - 1/4" IPS PVC socket connection to include an air gap. See Glasswasher specification sheet for additional data.</b>	
OVERSHELVES	<b>Fixed Shelf Dimensions - 76<sup>1</sup>/<sub>4</sub>" x 18": Glass Racks - (2) Removable. Drain Connection - 3/8" tailpiece for flexible hose. Adjustable Shelf Dimensions: 76<sup>1</sup>/<sub>4</sub>" x 15". Includes (2) shelves. (4) removable glass racks and stainless steel posts. Self draining - 3/8" tailpiece.</b>	
END PANELS	<b>Dimensions - 32" x 7/8" x 45" high: Finish: Stainless steel. Includes stainless steel floor mounting brackets.</b>	
INCLUDED ACCESSORIES	28" Bottle Rail and 28" Hang-On Bottle Rail (spanning Ice Chest and Filler Section). 12" Blender Shelf mounted to Dual Sink. 12" Bottle rail and 12" Hang-On Bottle Rail (mounted to Drainboard).	
OPTIONAL ACCESSORIES	Ice Chest Condiment Cup Rack, Towel Ring, Sink Drain Assembly and Glasswasher Hookup Kit and Glass Racks.	



8300 West Good Hope Road • Milwaukee, WI 53223 • Phone 414-353-7060 • Fax 414-353-7069  
 Toll Free 800-558-5592 • E-Mail: Perlick@Perlick.com • www.Perlick.com

Perlick is committed to continuous improvement.  
 Therefore, we reserve the right to change specifications without prior notice.

Form No. PTS78  
 Rev. 03.30.05