

# SERVICE STATION ICE CHESTS

## MODELS

- SS24IC
- SS24IC10
- SS24IC20\*
- SS30IC
- SS30IC10
- SS30IC20\*
- SS36IC
- SS36IC10
- SS36IC20\*

*\* has dual 10-circuit  
cold plates*



*\*Covers sold separately*

## Perlick Features

- Patented design conceals cold plate under liner for improved sanitation (SS2410, SS24IC20, SS30IC10, SS30IC20, SS36IC10, SS36IC20 models only)
- Dent resistant ABS top ledge
- Stainless steel legs install without tools and have "Rust Free" Thermoplastic feet



GENERATIONS OF  
EXCELLENCE

Form No. IC03  
Rev. 10.20.2011

**Perlick**<sup>®</sup>

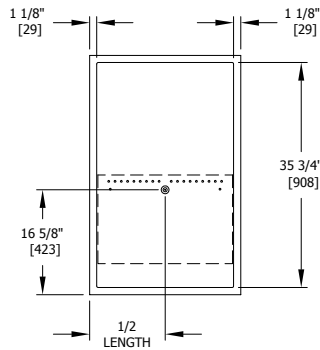
8300 West Good Hope Road • Milwaukee, WI 53223 • Phone 414.353.7060 • Fax 414.353.7069  
Toll Free 800.558.5592 • E-Mail [perlick@perlick.com](mailto:perlick@perlick.com) • [www.perlick.com](http://www.perlick.com)

# Size and Specifications

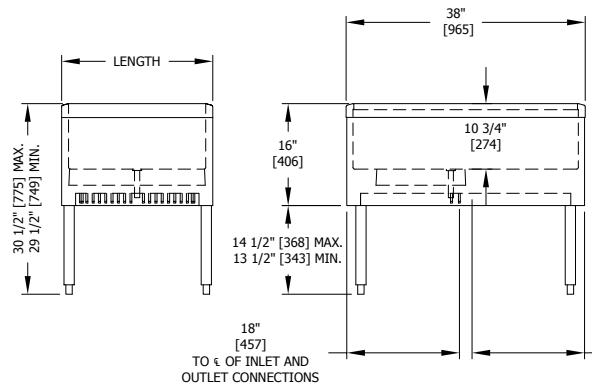
Service Station Ice Chests

Job \_\_\_\_\_  
 Area \_\_\_\_\_  
 Item No. \_\_\_\_\_  
 Model No. \_\_\_\_\_

	Without Cold Plate			With 10-circuit Cold Plate			With Dual 10-circuit Cold Plates		
<b>MODEL NOS.</b>	<b>SS24IC</b>	<b>SS30IC</b>	<b>SS36IC</b>	<b>SS24IC10</b>	<b>SS30IC10</b>	<b>SS36IC10</b>	<b>SS24IC20</b>	<b>SS30IC20</b>	<b>SS36IC20</b>
<b>LENGTH IN. (mm)</b>	24"(610)	30"(762)	36"(914)	24"(610)	30"(762)	36"(914)	24"(610)	30"(762)	36"(914)
<b>ICE CAP. lbs. (kg)</b>	114 (52)	144 (65)	174 (79)	114 (52)	144 (65)	174 (79)	114 (52)	144 (65)	174 (79)
<b># of COLD PLATE CIRCUITS</b>	0	0	0	1	1	1	2	2	2
<b>FRONT &amp; SIDES</b>	Stainless steel, top rim ABS								
<b>BOTTOM</b>	Galvanized steel								
<b>COVERS</b>	Stainless steel, three-piece, removable								
<b>INTERIOR</b>	Stainless steel with 1/4" radius corners, welded and sealer with non-exposed cold plate. Interiors can be divided with accessory freestanding ice dividers								
<b>INSULATION</b>	Foamed-in-place polyurethane								
<b>LEGS</b>	1-5/8" tubular, stainless steel with 1" adjustable thermoplastic foot								
<b>PLUMBING</b>	Drain connection- 1/2" NPS male								
<b>COLD PLATE</b>	Cast aluminum plate concealed under ice chest liner. Cold plate has 2 full-length circuits and 8 half-length circuits. Connections- 5/16" O.D. stainless steel tubing with swagged end to accept standard 1/4" I.D. beverage tubing.								
<b>OPERATING SPECIFICATIONS</b>	Each full circuit will deliver four, 6 oz drinks per minute at 40° continuously, or 40 oz. every three minutes in a single draw (Flow rate 2 oz./sec, 75° ambient, 75° product).								
<b>OPTIONAL ACCESSORIES</b>	Front & Back Covers, 3 Plastic Wells/4 Piece Cover Set/3 Plastic Bottle Wells, S.S. Bottle Holder/4 Piece Cover Set/S.S. Bottle Holder								



**Note: Covers not included. Soda Chase not applicable; soda lines must be routed behind adjacent equipment (IC10 and IC models only).**



Form No. IC03  
 Rev. 10.20.2011



8300 West Good Hope Road • Milwaukee, WI 53223 • Phone 414.353.7060 • Fax 414.353.7069  
 Toll Free 800.558.5592 • E-Mail perlick@perlick.com • www.perlick.com

Perlick is committed to continuous improvement. Therefore, we reserve the right to change specifications without prior notice