



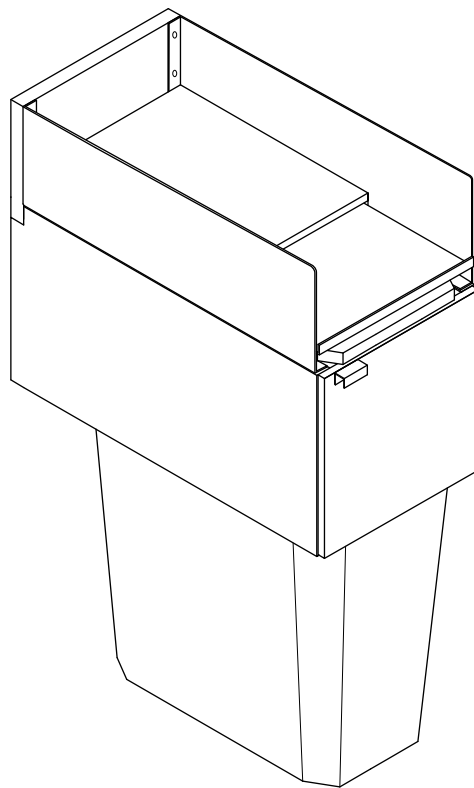
TRASH MODULE

Perlick Features

- Convenient covered trash module.
- Uses only 12" of bar space.
- Includes plastic trash can.

MODEL NOS.

TS12TRA



8300 West Good Hope Road • Milwaukee, WI 53223 • Phone 414-353-7060 • Fax 414-353-7069
Toll Free 800-558-5592 • E-Mail: Perlick@Perlick.com • www.Perlick.com

Form No. MM01
Rev. 11.25.09

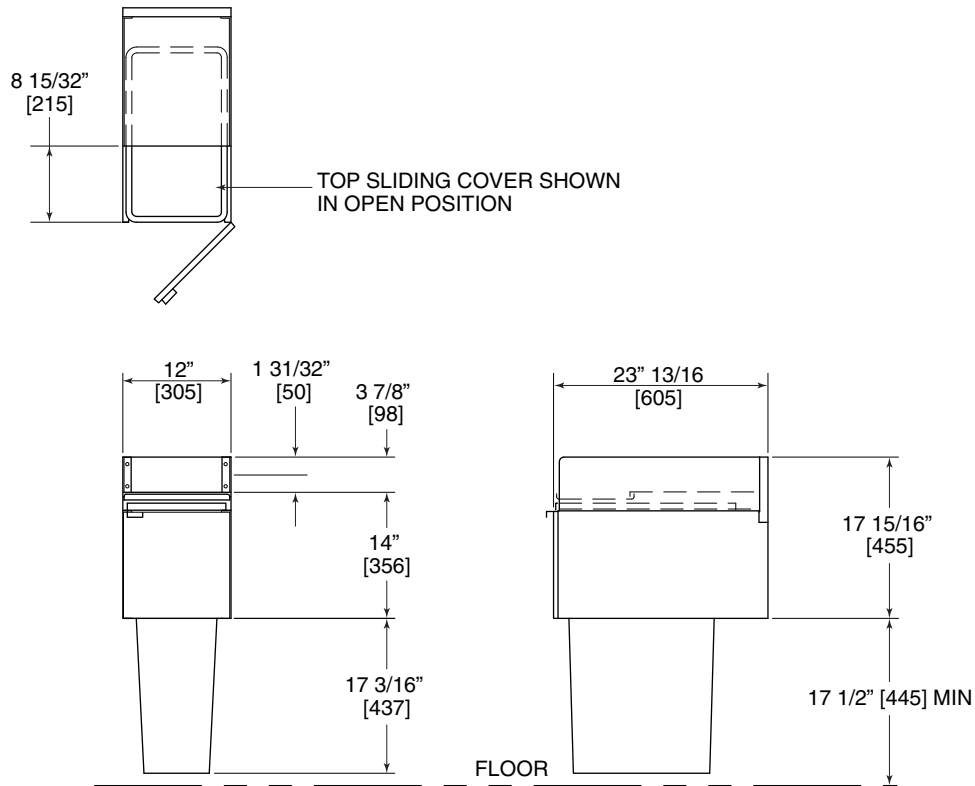


Sizes and Specifications Trash Module

Job _____
 Area _____
 Item No. _____
 Model No. _____

MODEL NOS.	TS12TRA
LENGTH INS. (mm)	12" (306)
SHIP WT. lbs. (kg)	199 (90)
GENERAL PARTS	Stainless steel.
BACKSPLASH	Stainless steel 6" high (4" high optional) with 1" return at top, mechanically fastened and sealed with steel support brackets.
FRONT DOOR	Stainless steel top and removable hinged door lid.
COVER	Sliding stainless steel cover assembly.
WASTEBASKET	Grey polyvinyl. Capacity: 23 gals. (87.1 liters).

NOTE: Requires support by adjacent equipment.



8300 West Good Hope Road • Milwaukee, WI 53223 • Phone 414-353-7060 • Fax 414-353-7069
 Toll Free 800-558-5592 • E-Mail: Perlick@Perlick.com • www.Perlick.com

Perlick is committed to continuous improvement.
 Therefore, we reserve the right to change specifications without prior notice.

Form No. MM01
 Rev. 11.25.09