



DROP DOWN DRAINBOARDS

Perlick Features

- Embossed stainless steel drainboard.

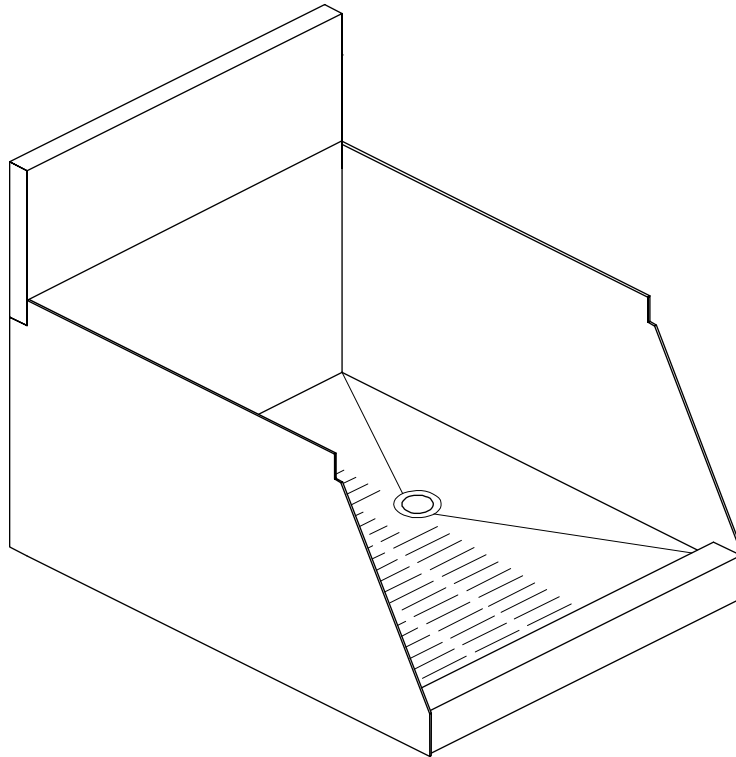
MODEL NOS.

TS Series

TS12DD

TS18DD

TS24DD



8300 West Good Hope Road • Milwaukee, WI 53223 • Phone 414-353-7060 • Fax 414-353-7069
Toll Free 800-558-5592 • E-Mail: Perlick@Perlick.com • www.Perlick.com

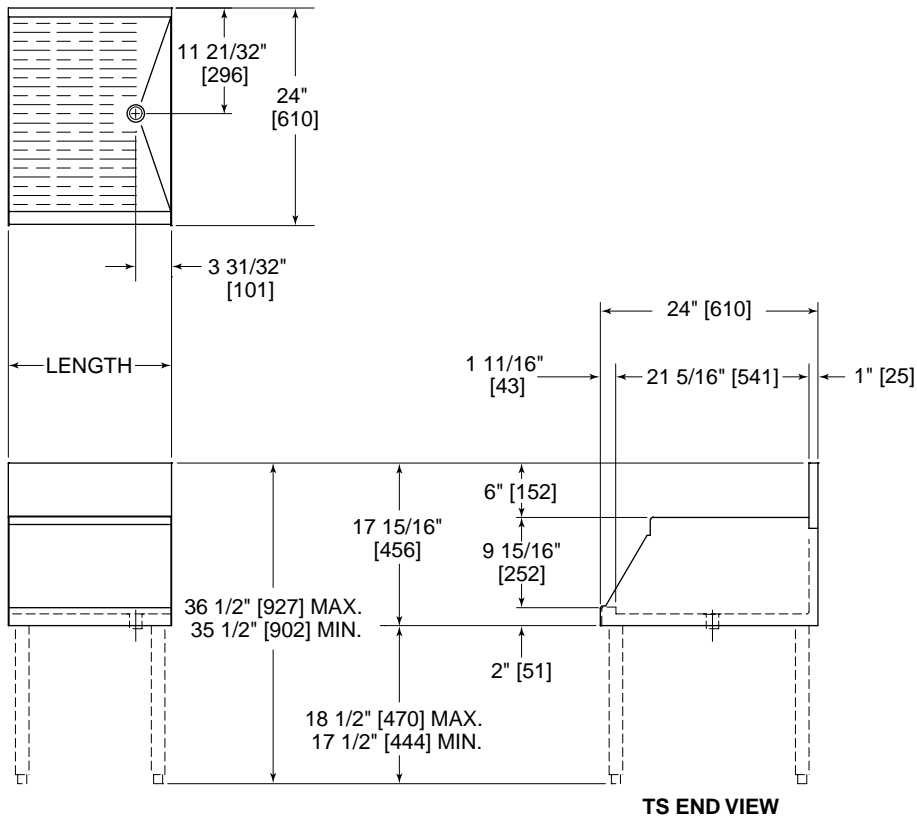
Form No. DB02
Rev. 03.30.05



Sizes and Specifications Drop Down Drainboards

Job _____
 Area _____
 Item No. _____
 Model No. _____

MODEL NOS.	TS12DD	TS18DD	TS24DD
LENGTH INS. (mm)	12" (305)	18" (457)	24" (610)
SHIP WT lbs. (kg)	30 (14)	35 (16)	40 (18)
FRONT & SIDES	Stainless steel.		
BACKSPLASH	General and TS Series: Stainless steel 6" high (4" high optional) with 1" return at top, mechanically fastened and sealed with steel support brackets.		
LEGS	Not provided. Requires adjacent support. Accessory leg kit available.		
DRAINBOARD	Embossed stainless steel, 21" deep front to back. Stainless steel drain socket.		
PLUMBING	Drain-connection - 1/2" NPS Male.		



8300 West Good Hope Road • Milwaukee, WI 53223 • Phone 414-353-7060 • Fax 414-353-7069
 Toll Free 800-558-5592 • E-Mail: Perlick@Perlick.com • www.Perlick.com

Perlick is committed to continuous improvement.
 Therefore, we reserve the right to change specifications without prior notice.

Form No. DB02
 Rev. 03.30.05