

TS & TSF SODA GUN FILLER SECTIONS

Perlick Features

- All stainless steel construction
- Designed for use with Wunder-Bar® and Schroeder America™ 8-14 product soda gun/manifold
- Top Cover and Manifold Mounting Bracket for both Wunder-Bar® and Schroeder America™ are included on 6" long fillers
- Manifold mounts to side panel for easy access and service
- Soda beverage tubing not visible to customers
- Drip cup/cradle mounts to cover
- Thumbscrews provide tool-less access for maintenance

MODELS

TS Series

TS4SGA

TS6SGA

MODELS

TSF Series

TSF4SGA

TSF6SGA

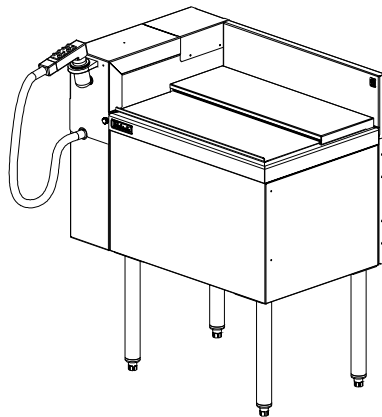
TS4SGA



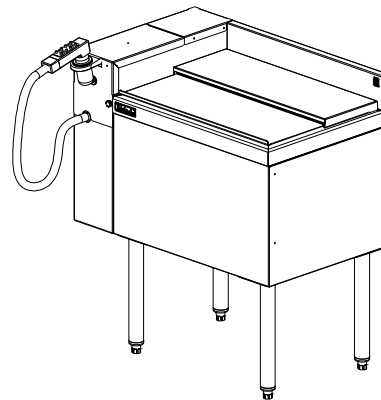
Soda Gun systems
NOT included. Shown
for clarity only.

TSF4SGA

Standard 6"
Backsplash
Height



Optional 4"
Backsplash
Height



Shown attached
to TS24IC10



GENERATIONS OF
EXCELLENCE

Form No. FS03
Rev. 02.06.2012

Perlick®

8300 West Good Hope Road • Milwaukee, WI 53223 • Phone 414.353.7060 • Fax 414.353.7069
Toll Free 800.558.5592 • E-Mail perlick@perlick.com • www.perlick.com

Size and Specifications

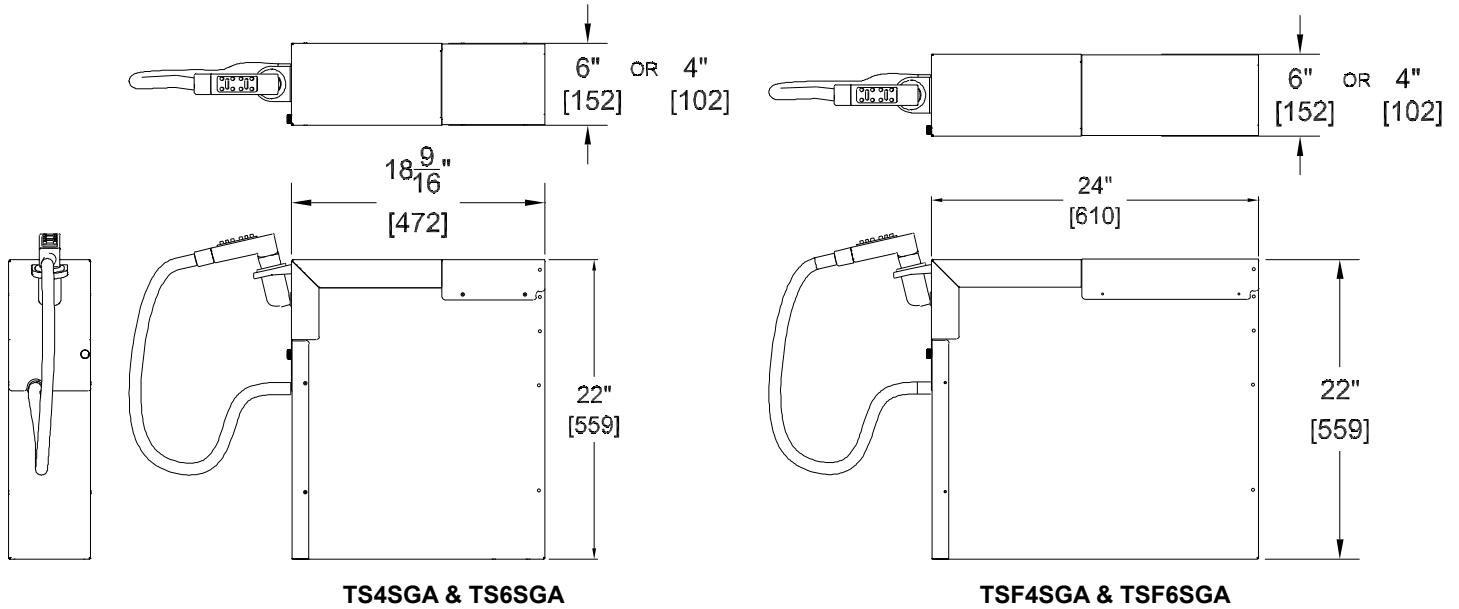
TS & TSF Soda Gun Filler Sections

Job _____
 Area _____
 Item No. _____
 Model No. _____

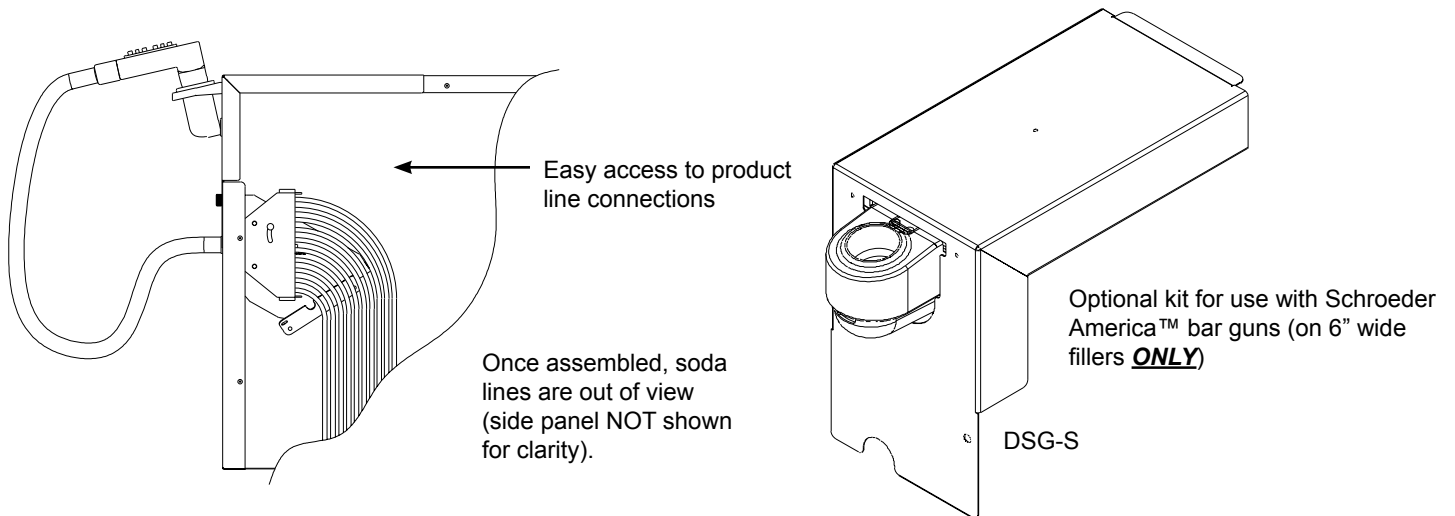


MODEL NOS.	TS4SGA	TS6SGA	TSF4SGA	TSF6SGA
LENGTH IN. (mm)	4" (102)	6" (152)	4" (102)	6" (152)
DEPTH IN. (mm)	18-9/16" (472)	18-9/16" (472)	24" (610)	24" (610)
SHIP WT. LB. (kg)	18 (8.16)	18 (8.16)	18 (8.16)	18 (8.16)
CONSTRUCTION	Stainless steel			
SODA GUN CAPACITY	(Qty. 1) 8-14 button soda gun and manifold (not included)			

NOTE: Requires support by adjacent equipment.



**Soda gun systems NOT included.
 Shown for clarity only.**



Form No. FS03
 Rev. 02.06.2012



8300 West Good Hope Road • Milwaukee, WI 53223 • Phone 414.353.7060 • Fax 414.353.7069
 Toll Free 800.558.5592 • E-Mail perlick@perlick.com • www.perlick.com

Perlick is committed to continuous improvement. Therefore, we reserve the right to change specifications without prior notice