



**TOBIN ELLIS SIGNATURE COCKTAIL STATION 12" PREP SINK**



JOB
AREA
ITEM NO.
MODEL NO.

<b>Models</b>
<b>TSCE Series</b>
TSCE12PS
TSCE12PS-RC

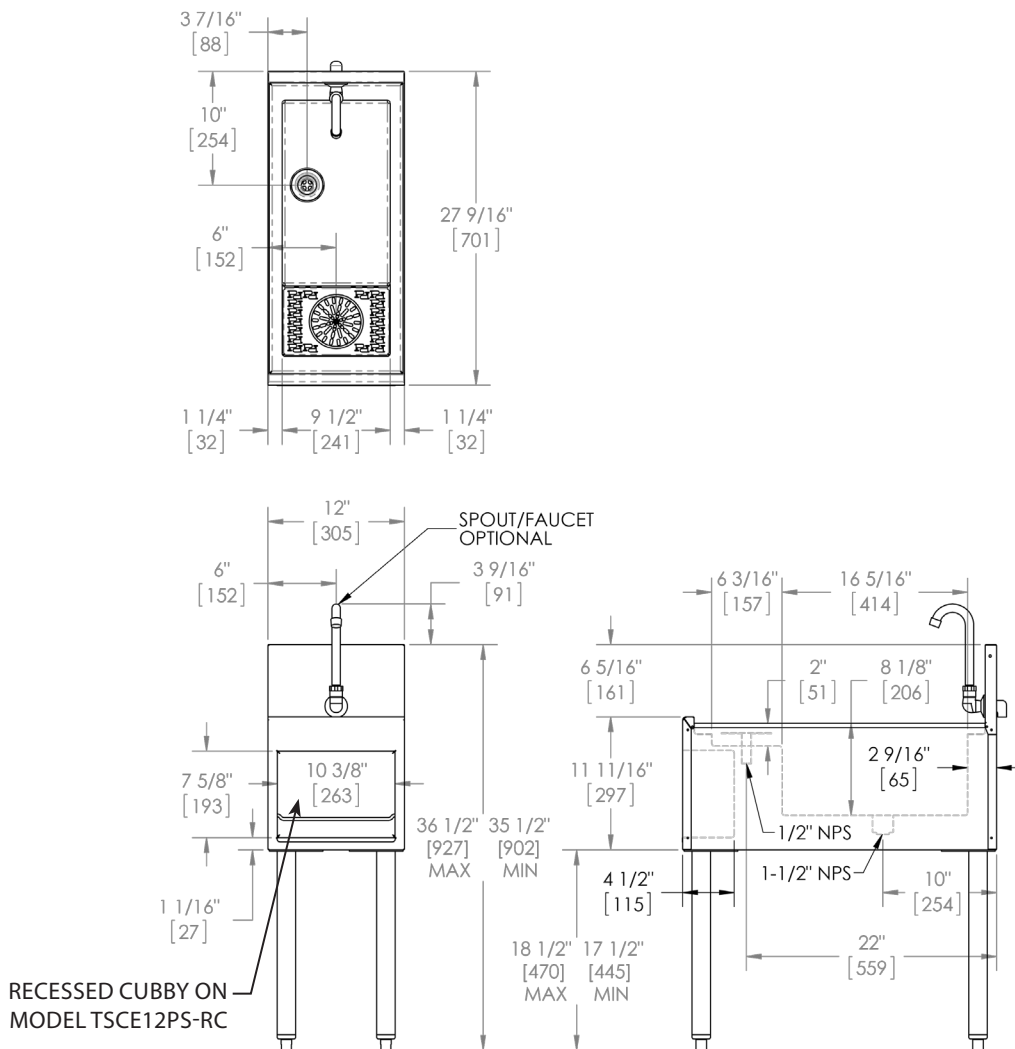
**Features**

- Heavy gauge fabricated sink bowl(s) with one-piece seamless top with radius corners for easy cleaning
- Underside of sink(s) is sound deadened
- Integrated Glass Rinser to quickly rinse bartender shaker tins (not included)
- TSCE12PS-RC model has integrated Recessed Cubby storage which accommodates small tonic or mix bottles. Heavy gauge wire rod securely keeps bottles in place.
- Stainless steel legs install without tools and have "Rust Free" thermoplastic feet.



**TOBIN ELLIS SIGNATURE COCKTAIL STATION 12" PREP SINK**

PART NO.	TSCE12PS	TSCE12PS-RC
LENGTH IN. (mm)	12" (305)	12" (305)
SHIP WT. lbs (kg)	50 (22.6)	50 (22.6)
CONSTRUCTION	All stainless steel construction.	
BACKSPLASH	<b>General and TSCE Series:</b> Stainless steel 6" high (4" high optional) with 1" return at top, mechanically fastened and sealed with steel support brackets. <b>TSD Series:</b> Not Applicable	
SINK - WET WASTE	Stainless steel sink bowl with 1/4" radius corners. Sound deadened to absorb sound. 9-1/2" x 16-5/16" x 7-3/16" deep. Furnished with 1-1/2" NPS stainless steel drain socket. Accommodates "optional" wet waste pan.	
GLASS RINSER	NSF listed stainless steel 4-3/8" diameter glass rack and valve assembly. 1/2" NPS thread for valve connection for 3/8" flexible hose. 9-1/2" x 6-3/16" x 15/16" deep pan has "Water fall" drainage into Wet Waste sink, eliminates need for additional drain. Includes removable glass rack. <i>Check local plumbing codes. Install in-line water regulator set to 15-20 psi (not included). Install in-line shut-off valve (not included) and turn off nightly.</i>	
RECESSED CUBBY STORAGE	N/A	Stainless steel recessed cubby storage in front face of module, 16-3/8" x 7-5/8" x 4-1/2" deep. Heavy gauge stainless steel rod retainer, keeps small bottle secure.
LEGS	1-5/8" tubular, stainless steel with 1" adjustable stainless steel foot.	
ACCESSORIES	NSF Listed, low lead compliant water faucets, spouts and foot operated pedals.	



Form No. Z2383  
Rev. 02.10.2015