



STANDARD ICE CHESTS WITHOUT COLD PLATE

Perlick Features

- Dent resistant ABS top ledge.
- Stainless steel legs install without tools and have "Rust Free" Thermoplastic feet.

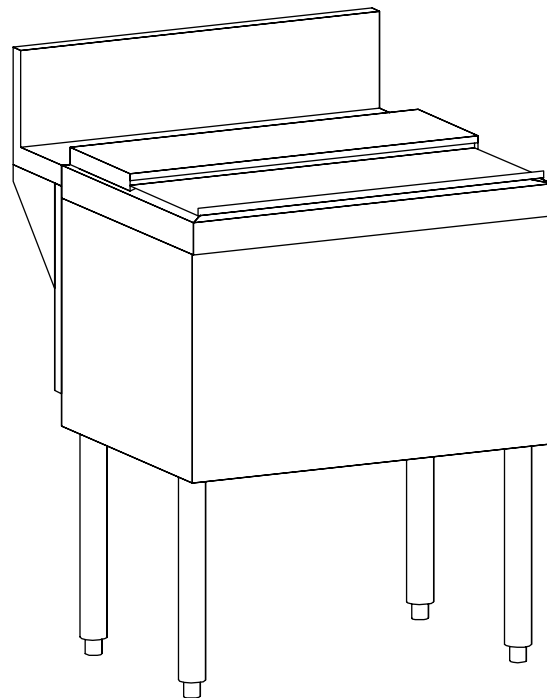
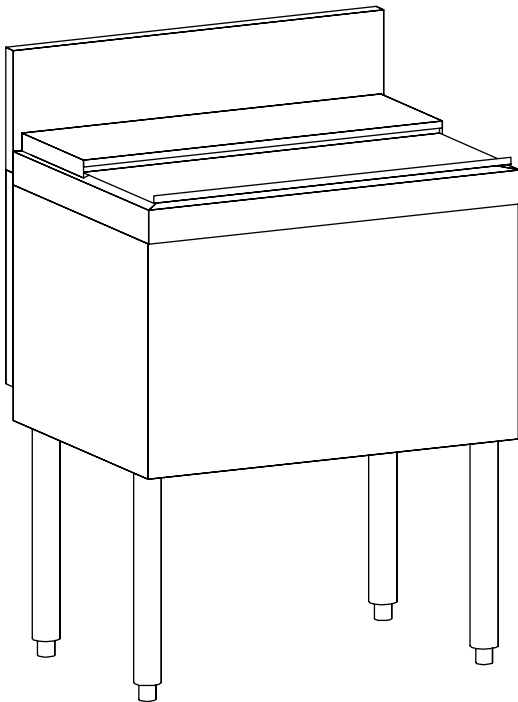
MODEL NOS. MODEL NOS.

TS Series

- TS18IC
- TS24IC
- TS30IC
- TS36IC
- TS42IC
- TS48IC

TSD Series

- TSD18IC
- TSD24IC
- TSD30IC
- TSD36IC
- TSD42IC
- TSD48IC

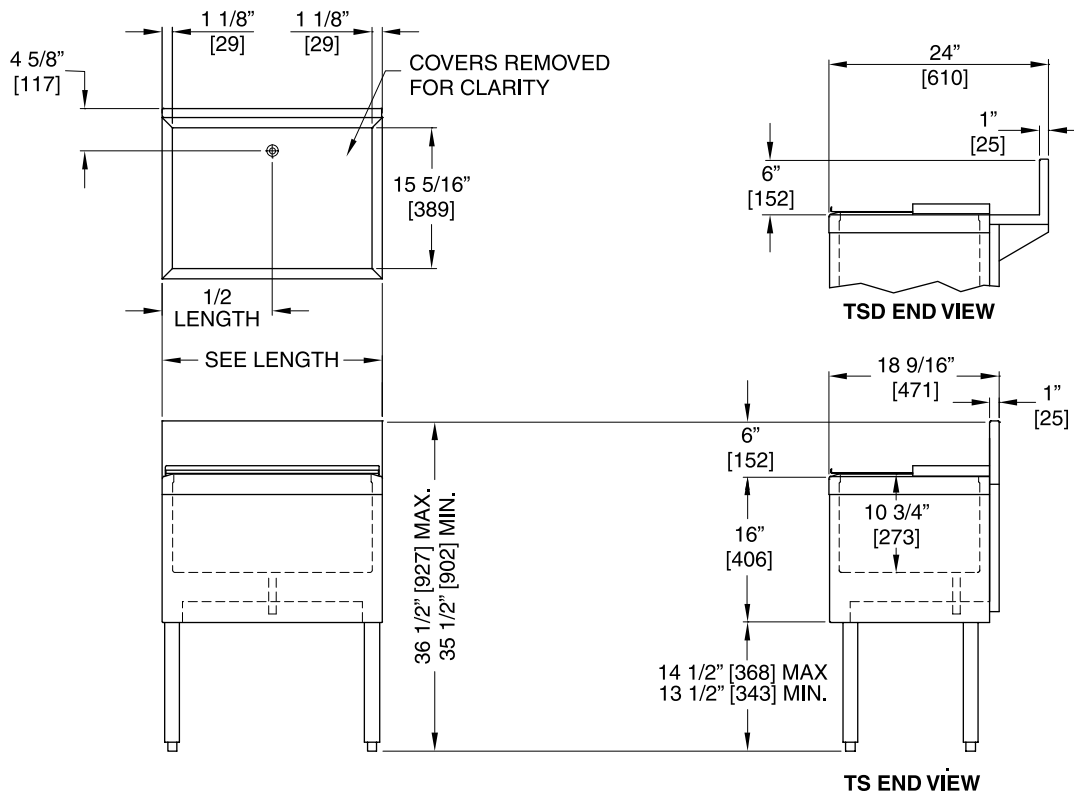




Sizes and Specifications Standard Ice Chests without Cold Plate

Job _____
 Area _____
 Item No. _____
 Model No. _____

MODEL NOS.	TS(D)18IC	TS(D)24IC	TS(D)30IC	TS(D)36IC	TS(D)42IC	TS(D)48IC
LENGTH IN. (mm)	18" (457)	24" (610)	30" (762)	36" (914)	42" (1067)	48" (1219)
ICE CAP. lbs. (kg)	35 (15.8)	50 (22.7)	70 (31.8)	85 (38.6)	100 (45.4)	115 (52.2)
SHIP WT lbs. (kg)	50 (22.7)	60 (27.2)	70 (31.8)	80 (36.3)	90 (40.1)	100 (45.4)
FRONT & SIDES	Stainless steel, Top rim ABS.					
BACKSPLASH	General and TS Series: Stainless steel 6" high (4" high optional) with 1" return at top, mechanically fastened and sealed to ice chest top with steel support brackets. TDS Series: Backsplash and rear deck stainless steel.					
BACK & BOTTOM	Galvanized steel.					
COVERS	Stainless steel, two-piece, removable.					
INTERIOR	Stainless steel with 1/4" radius corners, welded and sealed. Interiors can be divided with freestanding ice dividers.					
INSULATION	Foamed-in- place polyurethane.					
LEGS	1 5/8" tubular, stainless steel with 1" adjustable thermoplastic foot.					
PLUMBING	Drain Connection - 1/2" NPS Male.					



8300 West Good Hope Road • Milwaukee, WI 53223 • Phone 414-353-7060 • Fax 414-353-7069
 Toll Free 800-558-5592 • E-Mail: Perlick@Perlick.com • www.Perlick.com

Perlick is committed to continuous improvement.
 Therefore, we reserve the right to change specifications without prior notice.

Form No. IC02
 Rev. 09.02.07