

# TWO TANK SINKS – STAINLESS STEEL BOWLS



## MODELS

TS Series

□ TS22C

## MODELS

TSD Series

□ TSD22C



### Perlick Features

- Deep drawn stainless steel bowls
- NSF listed, commercial grade hot/cold water faucet (must be ordered separately)
- Underside is sound-deadened
- Stainless steel legs install without tools and have “Rust Free” thermoplastic feet



GENERATIONS OF  
EXCELLENCE

Form No. SK03  
Rev. 09.19.2011

**Perlick**<sup>®</sup>

8300 West Good Hope Road • Milwaukee, WI 53223 • Phone 414.353.7060 • Fax 414.353.7069  
Toll Free 800.558.5592 • E-Mail [perlick@perlick.com](mailto:perlick@perlick.com) • [www.perlick.com](http://www.perlick.com)

# Size and Specifications

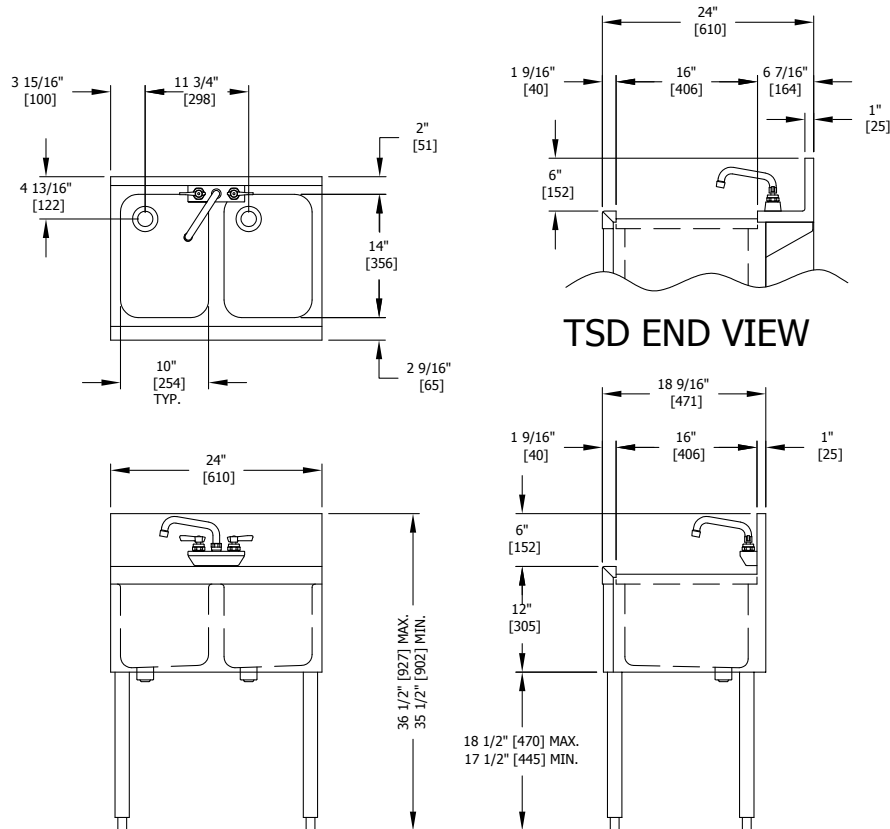
Two Tank Sinks – Stainless Steel Bowls

Job \_\_\_\_\_  
 Area \_\_\_\_\_  
 Item No. \_\_\_\_\_  
 Model No. \_\_\_\_\_



<b>MODEL NO.</b>	<b>TS(D)22C</b>
<b>LENGTH IN. (mm)</b>	24" (610)
<b>SHIP WEIGHT LB. (kg)</b>	65 (30)
<b>TOP &amp; SIDES</b>	Stainless steel
<b>BACK &amp; BOTTOM</b>	Stainless steel back, Galvanized bottom
<b>BACKSPLASH</b>	Stainless steel 6" high (4" high optional) with 1" return at the top, mechanically fastened and sealed with steel support brackets. <b>TSD Series:</b> Stainless steel rear deck
<b>LEGS</b>	1-5/8" tubular, stainless steel with 1" adjustable thermoplastic foot.
<b>BOWL</b>	Stainless steel with sound deadening. 10"x14"x9-1/4" deep. All horizontal and vertical edges 1-1/2" radius with balled corners. Furnished with 1-1/2" stainless steel drain socket. 8-1/2" standpipe.
<b>WATER FAUCET</b>	Chrome plated, hot and cold, 6" swing spout faucet. Heavy-duty all brass construction. <b>Must be ordered separately.</b>
<b>PLUMBING</b>	Drain connection: 1-1/2" NPS male. Hot and cold water connection <b>TS Series:</b> 3/8" copper supply tubes <b>TSD Series:</b> 1/2" IPS shanks and nuts
<b>OPTIONAL ACCESSORIES</b>	6" Swing Spouts (wall or deck mounted, also available Lead-Free), Perforated Cover (converts bowl area on TS22C Sink into a drainboard), Drain Connection Kit for Sinks with 2 Tanks

*\*Faucet shown for clarity; must be ordered separately*



Form No. SK03  
 Rev. 09.19.2011



8300 West Good Hope Road • Milwaukee, WI 53223 • Phone 414.353.7060 • Fax 414.353.7069  
 Toll Free 800.558.5592 • E-Mail perlick@perlick.com • www.perlick.com

Perlick is committed to continuous improvement. Therefore, we reserve the right to change specifications without prior notice