

TSS SODA GUN FILLER SECTIONS

MODELS

TSS Series

- TSS4.25DSGA
- TSS6DSGA

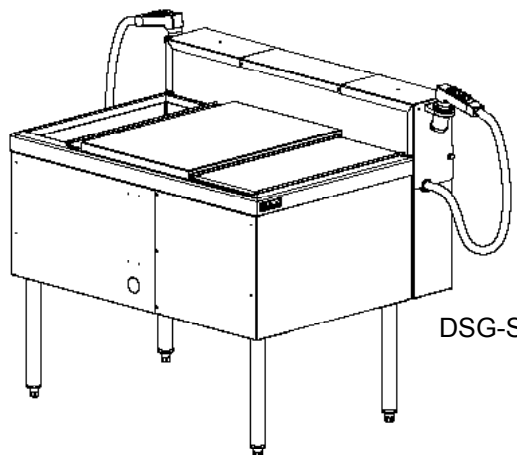
Perlick Features

- All stainless steel construction
- Designed for use with Wunder-Bar® and Schroeder America™ 8-14 product soda gun/manifold
- Top Cover and Manifold Mounting Bracket for both Wunder-Bar® and Schroeder America™ are included on 6" long fillers
- Manifold mounts to side panel for easy access and service
- Soda beverage tubing not visible to customers
- Drip cup/cradle mounts to cover
- Thumbscrews provide tool-less access for maintenance



TSS6DSGA

Soda Gun systems NOT included.
Shown for clarity only.



DSG-S

Shown attached
to 7055A-73-8



GENERATIONS OF
EXCELLENCE

Form No. FS04
Rev. 02.06.2011

Perlick®

8300 West Good Hope Road • Milwaukee, WI 53223 • Phone 414.353.7060 • Fax 414.353.7069
Toll Free 800.558.5592 • E-Mail perlick@perlick.com • www.perlick.com

Size and Specifications

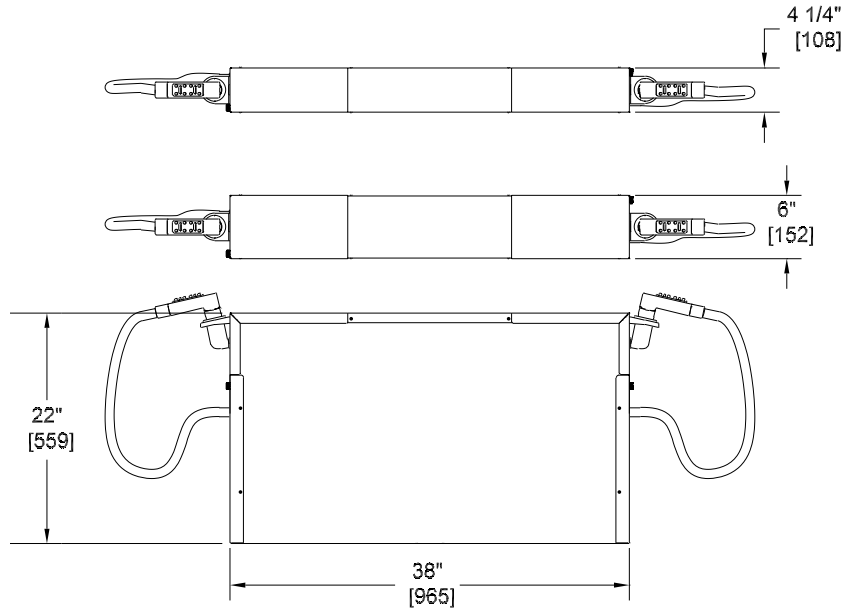
TSS Soda Gun Filler Sections

Job _____
 Area _____
 Item No. _____
 Model No. _____



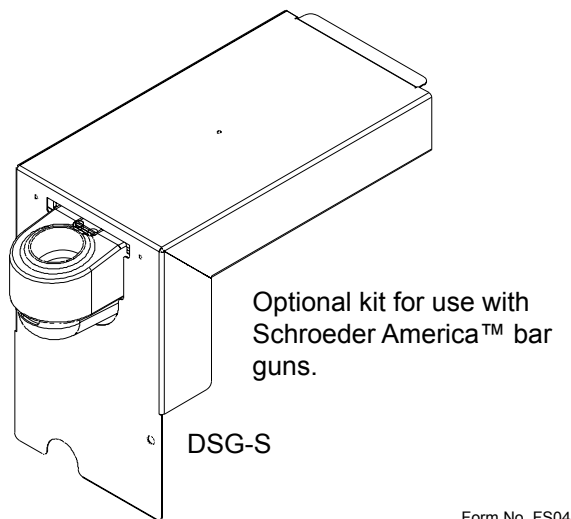
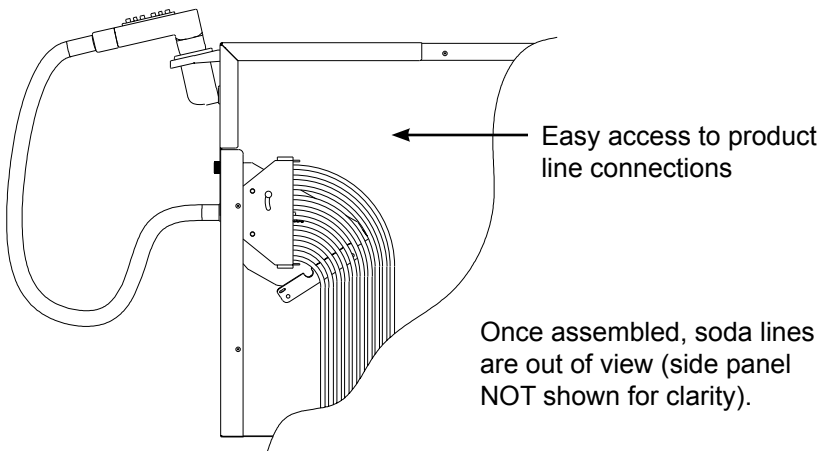
MODEL NOS.	TSS4.25DSGA	TSS6DSGA
LENGTH IN. (mm)	4-1/4" (108)	6" (152)
DEPTH IN. (mm)	38" (965.2)	38" (965.2)
SHIP WT. LB. (kg)	18 (8.16)	18 (8.16)
CONSTRUCTION	Stainless steel	
SODA GUN CAPACITY	(Qty. 2) 8-14 button soda gun and manifold (not included)	

NOTE: Requires support by adjacent equipment.



TSS4.25DSGA & TSS6DSGA

**Soda gun systems NOT included.
 Shown for clarity only.**



Form No. FS04
 Rev. 02.06.2011



8300 West Good Hope Road • Milwaukee, WI 53223 • Phone 414.353.7060 • Fax 414.353.7069
 Toll Free 800.558.5592 • E-Mail perlick@perlick.com • www.perlick.com

Perlick is committed to continuous improvement. Therefore, we reserve the right to change specifications without prior notice