

161 REDI-GRIL® SCRAPER

HEAVY-DUTY SCRAPER:

Maintain your grill with Redi-Gril® products from Prince Castle.

With this heavy-duty grill scraper, cut cleanup time and effort by 50 percent, and remove food and grease buildup that can ruin grill surfaces. Designed for use on steel surface grills, model 161 scraper is tough enough to remove burnt residue left over from virtually all types of food products.

The easy grip handle ensures safe cleaning, and a new wing nut design makes blade removal even easier - no tools required.

Model 161 has a 6 inch (15.24 cm) blade. It features a splash guard to protect the operator.



161

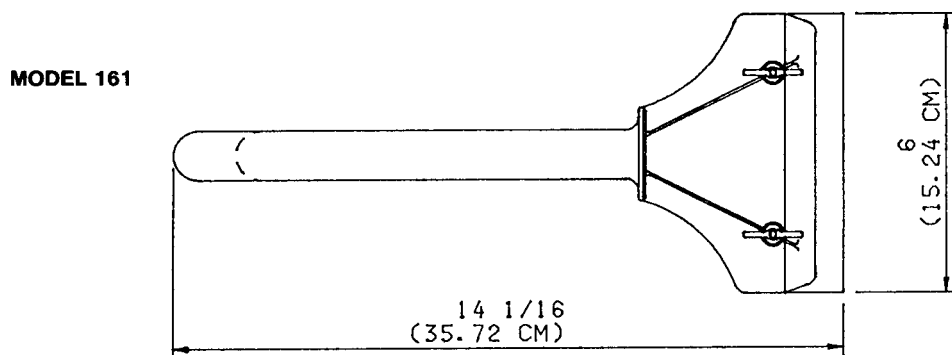
STANDARD FEATURES:

- Thoroughly clean hot grills.
- Blades are easily replaced without tools.
- Removes food and grease residue that can ruin grills.
- Prevents flavor transfer of burnt foods.
- Cuts cleanup time by 50 percent.
- Dishwasher safe for fast, easy cleaning.
- Disposable and resharpenable blades are available.

161 REDI-GRIL® SCRAPER

SPECIFICATIONS

LAYOUT:



Designs and specifications are subject to change without notice.

DIMENSIONS:

Model Number	Width in (cm)	Height in (cm)	Length in (cm)	Shipping Weight lb (kg)	Shipping cu.ft. (cu.m.)
161	6.00 (15.24)	5.81 (14.76)	14.16 (35.72)	1.00 (.45)	.40 (.01)

ORDERING INFORMATION:

Model	Description
161	Redi-Gril® Scraper
161-1HD	Heavy Duty Replacement Blade for 161
161-6HD	Replacement Blades (pkg of 6) for 161

CERTIFICATIONS:

