

297-SERIES SLIM-LINE VERTICAL CONTACT TOASTER



297 Series

PERFECT CARMELIZATION:

Prince Castle's Slim-Line Bun Toaster provides perfect caramelization by contact toasting. The 297-Series toasters put versatility in your kitchen and use less counter space. A unique two-level platen design allows operators to toast thicker bun crowns and thinner bun heels at the same time. A self-adjusting chain assembly provides proper tensioning and helps prevent binding. Model 297-T9 toasts up to 2200 buns per hour, Model 297-T12P toasts up to 2000 buns per hour, Model 297-T20 toasts up to 1400 buns per hour, and Model 297-T40 toasts up to 720 buns per hour. Stainless-steel construction makes the 297-Series toaster durable and easy-to-clean.

All Prince Castle Slim-Line Toasters include a Teflon sheet kit consisting of a stainless-steel clamp and two Teflon sheets to protect against bun sticking. These sheets are used one at a time over the platen to protect the toasting surface, to eliminate bun sticking and to keep the toaster clean and working properly.

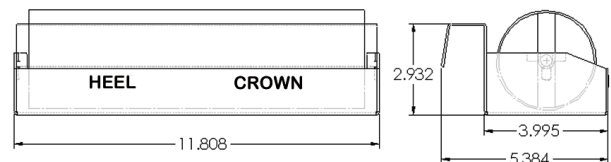
STANDARD FEATURES:

- Delivers higher speeds and temperature while maintaining proven reliable design.
- Stronger motor and higher temperature platen increases performance.
- Unique two-level platen design allows operators to toast thicker bun crowns and thinner bun heels at the same time.
- Adjustable bun crush controls and thermostat allow precise toasting for various bread products.
- Compact design requires only 8" (20.3 cm) of counter space depth.
- 12, 20 and 40 second toasting models are available.
- Re-designed conveyor assembly improves reliability.

- Easy to clean and maintain.
- Adjustable thermostat for precise toasting.
- One-year parts and labor warranty.

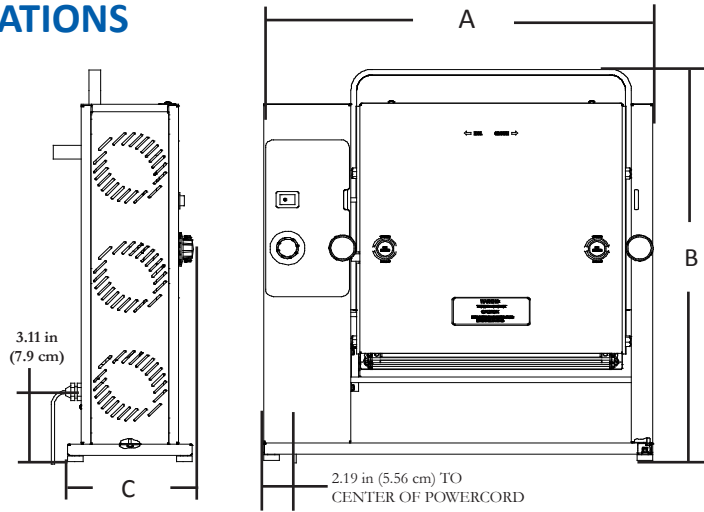
OPTIONAL ACCESSORIES:

511 - Top Mounting Bun Dresser (Manual Only)



297-SERIES SLIM-LINE VERTICAL CONTACT TOASTER

SPECIFICATIONS



PRODUCT OUTPUT:

Model	Buns/Hour
297-T9	2200
297-T12P	2000
297-T20	1400
297-T40	720

Moisture content of bakery products will affect rates and settings. Individual results may vary.

297 units are equipped with a 6 ft (182.8 cm) line cord.
 Designs and specifications are subject to change without notice.

DIMENSIONS:

Model Number	Width (A) in (cm)	Height (B) in (cm)	Depth (C) in (cm)	Shipping Weight lb (kg)	Shipping cu.ft. (cu.m.)
297 Series	25.00 (63.50)	26.30 (66.80)	8.30 (21.10)	75.00 (34.30)	7.50 (.21)

ORDERING INFORMATION:

Model	Description
297-T9, 297-T9B, 297-T9FCE, 297-T9FGB	9-Sec. Vertical Contact Toaster
297-T12P, 297-T12PFCE	12-Sec. Vertical Contact Toaster
297-T20, 297-T20FCE	20-Sec. Vertical Contact Toaster
297-T40, 297-T40FCE	40-Sec. Vertical Contact Toaster

ELECTRICAL:

Model Number	Volt	Hz	Watts	AMPS	Plug Config.
297-T9	120	60	1500	13	5-15P
297-T9B	220	60	1760	7.3	CEE 7-7
297-T9FCE	230	50	1700	8	CEE 7-7
297-T9FGB	240	50	1700	8	BS1363A
297-T12P 297-T20 297-T40	120	60	1500	13	NEMA 5-15P
297-T12PFCE 297-T20FCE 297-T40FCE	120	50	1700	8	CEE 7-7

CERTIFICATIONS:

