

Reach-In Double Door Heated model 2420

model 2420 2420P

Description:

Randell Series 2000 Heated Reach-In are built for years of efficient, high performance service. The heating system offers the highest, most consistent performance available while maximizing usable interior space.

Finishes:

- Standard Series Doors/Louwer:** Stainless steel.
Exterior Sides: Anodized aluminum. **Interior:** Anodized aluminum
- E Series** Cabinet interior, exterior sides, fronts, and doors stainless steel.

Specifications:

CABINET EXTERIOR: Cabinet body is constructed of all metal, inside & out. The top, bottom, & back are galvanized steel. Front and sides are available in finishes as listed above. Door and louver are stainless steel and are removable without tools. Unit on 6" casters, front two are locking.

CABINET INTERIOR: Interior of cabinet is fully covered to meet N.S.F. standard #4. The interior walls, ceiling and door liner are available in either stainless steel or anodized aluminum as listed above. Foamed in place, CFC free urethane insulation. Stainless steel breaker strips.

DOORS: Stainless steel front with either anodized aluminum or stainless steel liner, mounted on (3) heavy duty cam lift hinges with heavy duty chrome handle, and cylinder door lock.

HEATING SYSTEM: Temperature settings are controlled with 60° F. to 180° F. solid state thermostatic control with high limit switch for customer safety. Heat is supplied with two strip heaters, located at the base of the interior. Heat is circulated by interior fan recessed in ceiling.

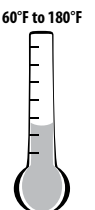


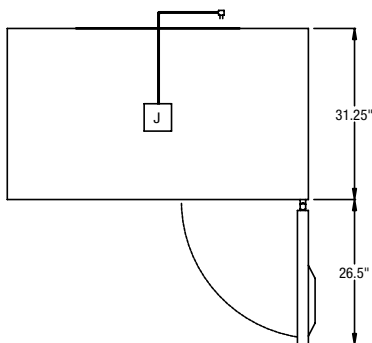
Standard Features:

- 60° F. to 180° F. Thermostatic Control With High Limit Switch
- 8' Cord and Plug
- Junction Box For Permanent Field Wiring
- Digital Control
- Exterior LED Temperature Display
- Self-Closing, Cam Lift Hinges with 120° Open Feature (Lifetime Warranty)
- Cylinder Door Lock
- Main Power Supply Switch
- Reversible Door Hinging (Hinged Right Standard)
- Polyurethane Insulation
- Automatic Interior Light
- Snap-In Magnetic Door Gaskets
- Fully Coved Interior meeting N.S.F. Standard #4
- 3 Baked Epoxy Coated Wire Shelves With Stainless Steel Support Clips (Adjustable every 1")

Options & Accessories:

- Universal Tray Slides (set of two) Qty. _____ Sets _____
- 6" Legs
- Remote (Add Suffix "R")
- Extra Interior Shelves Qty. _____
(maximum of (23) or (20) additional on 1.5" centers-leaves 1" clear)
- Finished Back
- Export Voltage(s) Specify Voltage _____
- Prison Package





LEGEND FOR MODEL # 2420

J JUNCTION BOX

208V/60Hz/1Ph
7.0Amps/1.465 KW
9'CORD NEMA 6-15P

240V/60Hz/1Ph
8.1Amps/1.95 KW
9'CORD NEMA 6-15P

47 Cu/Ft STORAGE

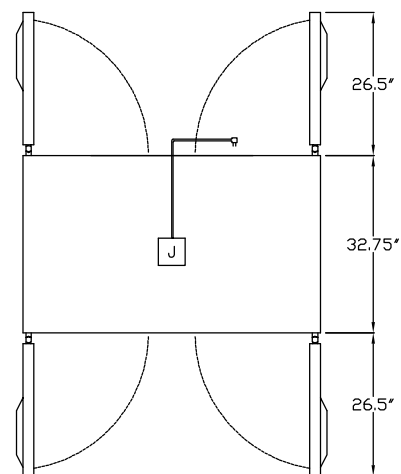
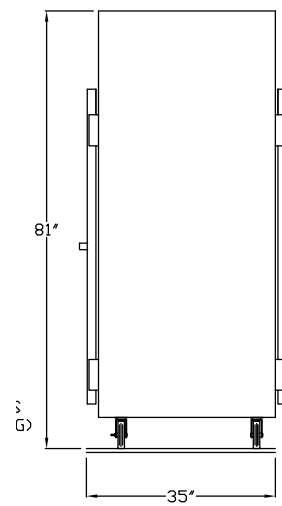
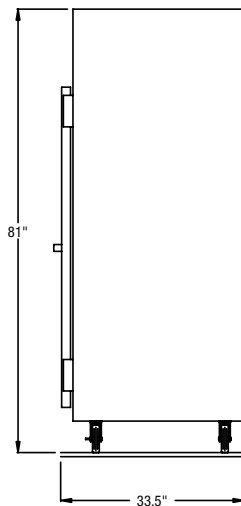
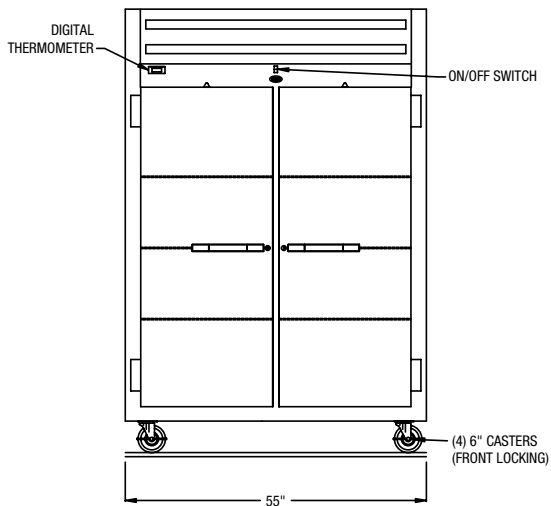
LEGEND FOR MODEL # 2420P

J JUNCTION BOX

208V/60Hz/1Ph
7.0Amps/1.465 KW
9'CORD NEMA 6-15P

240V/60Hz/1Ph
8.1Amps/1.95 KW
9'CORD NEMA 6-15P

47 Cu/Ft STORAGE



DOUBLE DOOR HEATED Uprights										
Model	L	D	H	Doors	Cu./Ft.	KW	Volt	Amps	NEMA	Ship Wt.
2420 two door	55"	33 1/2"	81.25"	2	47	1.47/1.95	208/230/60	7/8.1	6-15P	650
2420P two door	55"	35 5/8"	81.25"	4	47	1.47/1.95	208/230/60	7/8.1	6-15P	700

