



# WORKTOPS/UNDERCOUNTERS

## BACK MOUNT WORKTOP

Self-contained, refrigerator or freezer unit with stainless steel flat worktop and a 3" high backsplash. Back-mounted removable, replaceable, R-134a refrigeration. "Front Breathing" system, requires no side or back clearance. Integrated rubber bumpers provide 1" rear clearance on models 9802F-7 and 9302F-7. Self-closing door(s), 6" high adjustable legs, and cordset for 115V operation. Models range from 27" to 72", and are 30" deep and 36" high.

PROJECT NAME:

LOCATION:

ITEM NO:

QTY:

MODEL NO:

AIA NO:

SIS NO:

CSI SECTION: 11400

### AVAILABLE MODELS:

- 9402-7
- 9402F-7
- 9802-7
- 9802F-7
- 9302-7
- 9302F-7
- 9602-7
- 9604-7

### STANDARD FEATURES:

- Self-contained, removable, replaceable refrigeration package that utilizes R-134a refrigerant, (R-404a in freezer models) both are "CFC free"
- "Front Breathing" (on legs/casters) refrigeration system, no side or back clearance required. Integrated rubber bumpers provide 1" rear clearance on models 9802F-7 and 9302F-7.
- Stainless steel top, sides, and front
- Fully adjustable shelves behind self-closing door

**CABINET EXTERIOR:** The top, sides, and front are stainless steel. Bottom and back of unit are corrosion resistant steel. Door opening frames are ABS and contain magnetic strip for positive seal of door gaskets. Freezer models with door frame heater to prevent gasket freezing. Units ship standard on (4) 6" high legs with adjustable bullet feet.

**CABINET INTERIOR:** Interior of cabinet is fully coved to meet N.S.F. standard #7. The Interior bottom, back, and top are anodized aluminum with coved corners for easy clean-up. The interior ends are ABS. Two adjustable powder coat finished shelves behind each door, adjustable on 1" increments. Unit insulated with a minimum of 2.5" of CFC free, foamed in place polyurethane.

**DOORS:** Stainless steel front with easy to grasp recessed handle, mounted on heavy duty concealed hinges. Hinges are all stainless steel with bronze pivot pin in nylon bushing, spring loaded to be self-closing. Doors with foamed in place insulation, press fit magnetic gaskets - (designed for installation & removal without tools), and deep draw ABS interior liner for maximum insulation value.

**REFRIGERATION:** CFC free, R-134a back-mounted refrigeration system to be self-contained with evaporator blower coil, compressor, thermostatic control, forced-air condensing coil and capillary tube contained in removable assembly. Condensate evaporator provided. Freezer utilizes CFC free, R-404a refrigerant, and automatic, self-defrosting system for blower coil. Units totally prewired and to be supplied with 8' cordset (NEMA 5-15P) for 115V operation. "Front Breathing" refrigeration system, requires no side or back clearance. Integrated rubber bumpers provide 1" rear clearance on models 9802F-7 and 9302F-7.

### ORIGIN OF MANUFACTURE:

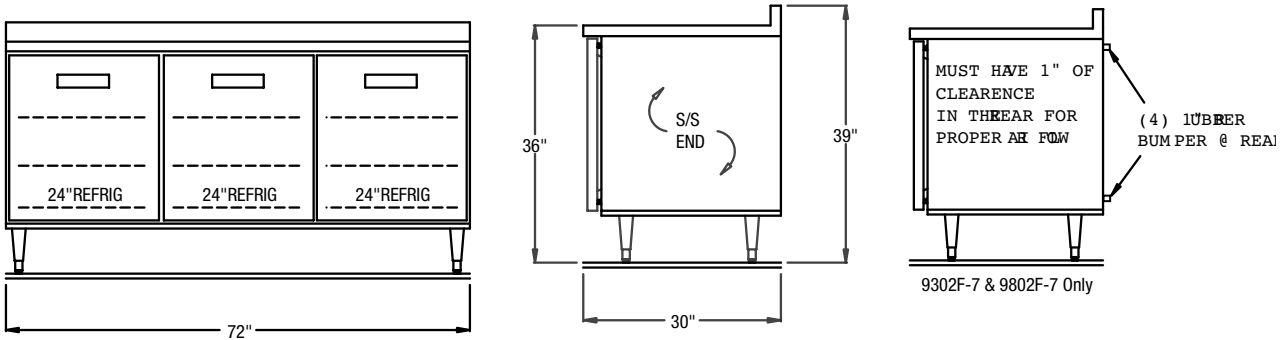
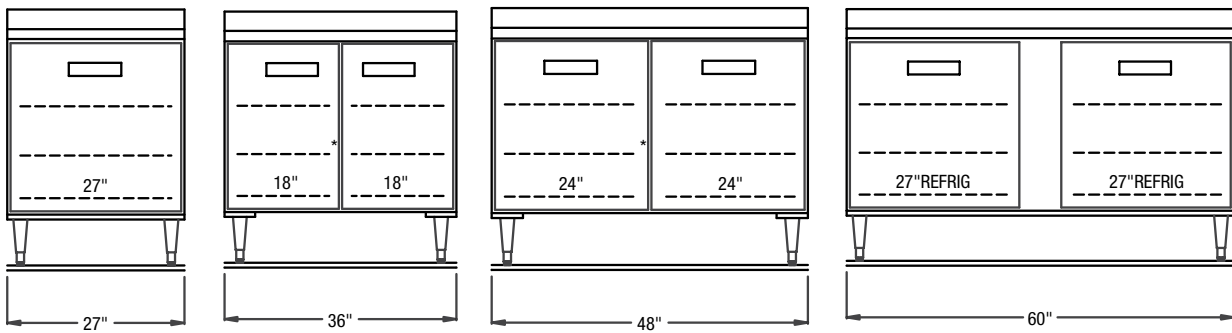
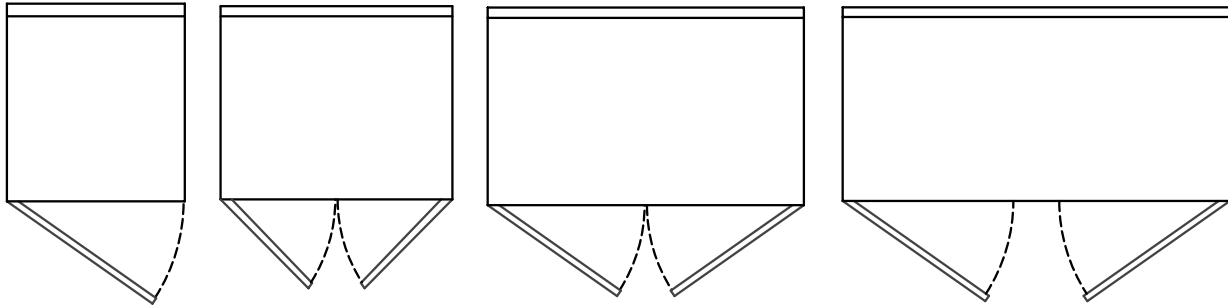
Designed and manufactured in the United States.

**SHORT FORM:** 9000-7 Back Mount Worktops, Model 9604-7 shown.



### OPTIONS/ACCESSORIES:

- Stainless steel back panel
- Refrigerated drawers
- Overshelves (double or single tier)
- Casters
- Export voltages



Drawings are to be viewed in the same order as the chart, one drawing to represent refrigerator and freezer units

| Model   | L   | D   | H   | Doors  | Storage Cu. Ft. | Top        | HP  | Volt     | Amps | NEMA  | Ship Wt. |
|---------|-----|-----|-----|--------|-----------------|------------|-----|----------|------|-------|----------|
| 9402-7  | 27" | 30" | 36" | (1)27" | 5.66            | backsplash | 1/4 | 115/60/1 | 5.5  | 5-15P | 190      |
| 9402F-7 | 27" | 30" | 36" | (1)27" | 5.66            | backsplash | 1/3 | 115/60/1 | 6.8  | 5-15P | 190      |
| 9802-7  | 36" | 30" | 36" | (2)18" | 7.87            | backsplash | 1/4 | 115/60/1 | 5.5  | 5-15P | 220      |
| 9802F-7 | 36" | 30" | 36" | (2)18" | 7.87            | backsplash | 1/2 | 115/60/1 | 8.2  | 5-15P | 220      |
| 9302-7  | 48" | 30" | 36" | (2)24" | 10.82           | backsplash | 1/4 | 115/60/1 | 5.5  | 5-15P | 265      |
| 9302F-7 | 48" | 30" | 36" | (2)24" | 10.82           | backsplash | 1/2 | 115/60/1 | 8.2  | 5-15P | 265      |
| 9602-7  | 60" | 30" | 36" | (2)27" | 13.77           | backsplash | 1/4 | 115/60/1 | 5.5  | 5-15P | 300      |
| 9604-7  | 72" | 30" | 36" | (3)24" | 16.72           | backsplash | 1/4 | 115/60/1 | 5.5  | 5-15P | 330      |

**NOTE:** When ordering casters, 6" casters equal 35" height; 4" casters equal 33" height