

robot coupe

"The Inventor & World Leader in Food Processors"

J80 Ultra

Commercial Food Processor

Juicer



- 1 H.P. single phase industrial synchronous motor with magnetic safety switch. Push button "On-Off" switches.
- Stainless steel motor base.
- New "latch" locking device for user safety.
- Drip Tray
- Basket includes 2.5 mm grating disc and 2 handles to easily remove with no tools necessary.
- 6.5 Qt. translucent removable waste container fits perfectly below the feed hopper to prevent splashing.
- Removable ABS plastic lid is shock resistant and dishwasher safe.
- Unit base uses 9 1/8" x 14 7/8" of counter space.
- Molded base for ease of carrying.
- 1 year parts and labor warranty.

A centrifugal juicer with automatic feed capability and pulp ejection.



Robot Coupe U.S.A., Inc.

264 South Perkins

Ridgeland, MS 39157

1-800-824-1646 • (601) 898-8411

FAX: (601) 898-9134

www.robotcoupeusa.com • e-mail: info@robotcoupeusa.com

SPECIFICATIONS ON REVERSE SIDE

Specifications

STANDARD MODEL: includes stainless steel motor base unit with ABS plastic lid, anti-drip spout, 2.5 mm basket and 6.5 quart waste container.

ELECTRICAL REQUIREMENTS: 120V, 60Hz, single phase. Contact your local electrician for local code requirements.

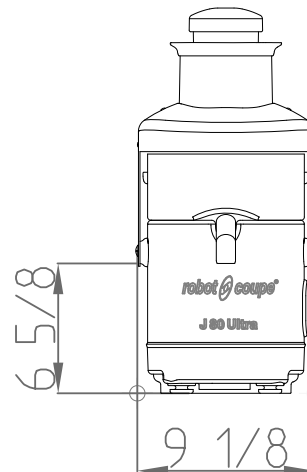
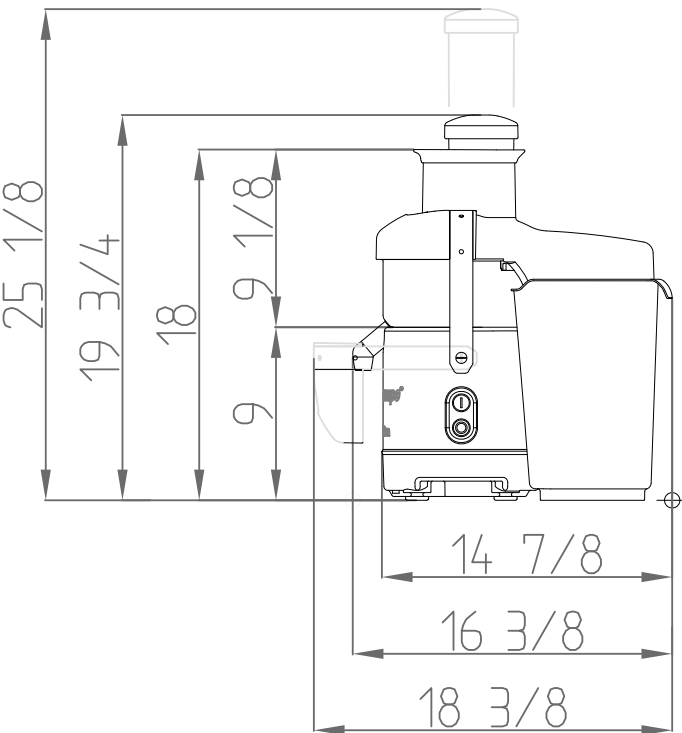
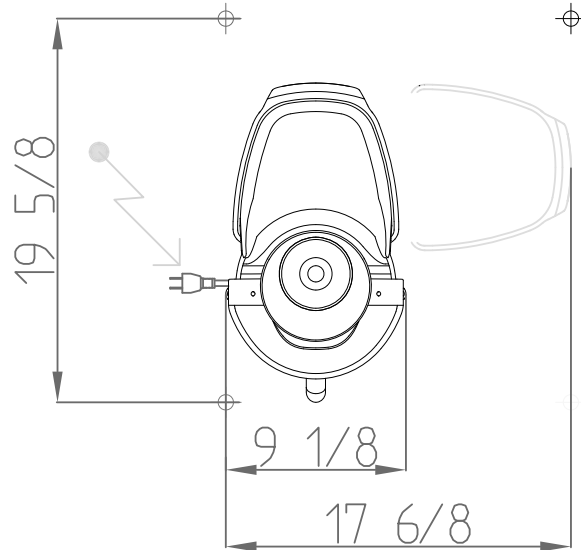
SWITCHING: Control panel with push-type on and off buttons.

MOTOR: 1 HP, 3450 RPM.

WEIGHT: 24 lbs. net, 28 lbs. approximate shipping weight.

OPTIONAL EQUIPMENT:

STANDARDS: ETL electrical & sanitation, cETL (Canada)



Robot Coupe U.S.A., Inc.
264 South Perkins
Ridgeland, MS 39157
1-800-824-1646
(601) 898-8411
FAX: (601) 898-9134
www.robotcoupeusa.com
e-mail: info@robotcoupeusa.com

Distributed by: