

CCC Corn Cooker



CCC-20

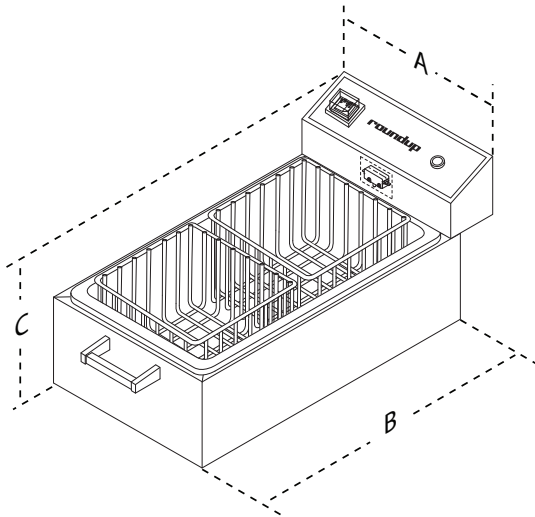
Make every meal feel home cooked by serving it with a perfectly fresh ear of corn. The Corn Cooker uses a preset cooking time and low temperature heater to ensure the corn on the cob consistently looks, tastes and smells fresh for up to five hours.

Features

- Stainless steel construction.
- Preset time and temperature.
- Uses plain tap water.
- Easy to clean.
- Holds quality corn for up to five hours at the perfect temperature.

CCC Corn Cooker

Dimensions



Model No.	Width (A)	Depth (B)	Height (C)
CCC-20 9600215	13" (330 mm)	25" (635 mm)	14 1/8" (359 mm)




Shipping Dimensions

Model & Mfg. No.	Height	Width	Depth	Weight
CCC-20 9600215	16" (406 mm)	16" (406 mm)	30" (762 mm)	33 lbs. (15 kg)
CCC-20 9600217	16" (406 mm)	16" (406 mm)	30" (762 mm)	30 lbs. (14 kg)

Electrical Ratings and Plug Configuration

Model & Mfg. No.	Volts	Watts	Amps	Hertz	Plug Description
CCC-20 9600215	208- 220- 240	1570- 1756- 2090	7.5- 8- 8.7	50/60	CEE 7/7 16 Amp., 250 Volt.
CCC-20 9600217	120	1750	14.6	50/60	NEMA 5-15P 15 Amp., 250 Volt

Specifications

Model & Mfg. No.	Capacity	Approvals
CCC-20 9600215	Eighty 3" (76 mm) ears of corn or Forty 6" (152 mm) ears of corn	 
CCC-20 9600217	Eighty 3" (76 mm) ears of corn or Forty 6" (152 mm) ears of corn	

P/N 1020221 Rev. F 12/12



USA Headquarters: Ph: (630) 784-1000 Fx: (630) 784-1650 Tf: (800) 253-2991
China Facility: Ph: 86-512-6841-3637 Fx: 400-0-7878-22 Tf: 86-512-6841-3907