



ES-1200



ES-600



ES-604



ES-602

Add eggs to any breakfast menu without any hassle or guesswork. The Egg Station uses heat and steam to cook perfectly moist and delicious eggs every time. Compact and easy to clean, this unit allows operations to take advantage of the profitable breakfast daypart.

Models are available to cook eggs and grill ham for breakfast sandwiches or to cook made-to-order omelets. Cook a maximum of 12 eggs with the ES-1200, 6 eggs with the ES-600 and ES-604, or 2 eight-inch omelets with the ES-602. Cooking time for all models is approximately 120 seconds for room temperature eggs and approximately 150 seconds for refrigerated eggs.

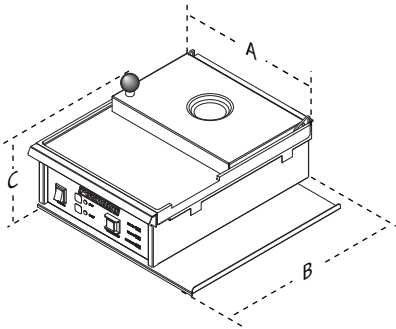
Eggs are cooked with a combination of heat from a platen and steam created under the pivoting cover, which is then lowered over the eggs rings. Water poured into the trough on the cover drips onto the platen under the cover, producing the steam.

Features

- Stainless steel construction.
- Audio and visual signal for operation.
- Cook time of 120 to 150 seconds.
- Cooks a maximum of 12 or 6 individual orders of eggs or 2 eight-inch omelets.
- Heats pre-cooked sliced meats on the front portion (ES-600 only).
- Compact and easy to clean.
- Includes non-stick egg rings.



Dimensions



Model & Mfg. No.	Width (A)	Depth (B)	Height (C)
ES-600	17 1/4" (438 mm)	17 1/2" (445 mm)	9" (229 mm)
ES-602	18 1/4" (464 mm)	18 3/16" (462 mm)	8 1/4" (210 mm)
ES-604	19 3/4" (502 mm)	17 1/2" (445 mm)	7 3/4" (197 mm)
ES-1200	17 1/4" (438 mm)	17 1/2" (445 mm)	9" (229 mm)
ES-1200 (Mfg. No. 9300587 & 9300588 only)	19 7/8" (505 mm)	17 3/4" (451 mm)	7" (178 mm)

Shipping Dimensions

Model No.	Height	Width	Depth	Weight
ES-600	14" (356 mm)	22" (559 mm)	22" (559 mm)	45 lbs. (20 kg)
ES-602	14" (356 mm)	22" (559 mm)	22" (559 mm)	48 lbs. (22 kg)
ES-604	12" (305 mm)	21" (533 mm)	21" (533 mm)	50 lbs. (23 kg)
ES-1200	14" (356 mm)	22" (559 mm)	22" (559 mm)	48 lbs. (22 kg)
ES-1200 (Mfg. No. 9300587 & 9300588 only)	12" (305 mm)	21" (533 mm)	21" (533 mm)	50 lbs. (23 kg)

Electrical Ratings and Plug Configurations

Model & Mfg. No.	Volts	Watts	Amps	Hertz	Plug Description
Capacity: Six 3" Eggs (with front grill for Canadian bacon)					
ES-600 9300530	208- 220- 240	2380- 2662- 3168	11.4- 12.1-13.2	50/60	NEMA 6-20P 20 Amp., 250 Volt
ES-600 9300570	230	2900	12.6	50/60	IEC-309 16 Amp., 250 Volt Pin & Sleeve
ES-600 9300572	230	2900	12.6	50/60	CEE 7/7 16 Amp., 250 Volt
Capacity: Two 8" Omelets					
ES-602 9300577	208	2400	11.5	50/60	NEMA 6-20P 20 Amp., 250 Volt
Capacity: Four 6" Eggs					
ES-604 9300574	208- 220- 240	2380- 2662- 3168	11.4- 12.1-13.2	50/60	NEMA 6-20P 20 Amp., 250 Volt
Capacity: Twelve 3" Eggs					
ES-1200 9300532	208- 220- 240	2380- 2662- 3168	11.4- 12.1-13.2	50/60	NEMA 6-20P 20 Amp., 250 Volt
ES-1200 9300534	208- 220- 240	2380- 2662- 3168	11.4- 12.1-13.2	50/60	NEMA 6-20P 20 Amp., 250 Volt
ES-1200 9300580	230	2900	12.6	50/60	IEC-309 16 Amp., 250 Volt Pin & Sleeve
ES-1200 9300582	230	2900	12.6	50/60	CEE 7/7 16 Amp., 250 Volt
ES-1200 9300584	230	2900	12.6	50/60	BS-1365 Fused, Permaplug 16 Amp., 250 Volt
Capacity: Twelve 3" Eggs (with nickel-plated grill)					
ES-1200 9300587	230	2900	12.6	50/60	CEE 7/7 16 Amp., 250 Volt
ES-1200 9300588	208- 220- 240	2380- 2662- 3168	11.4- 12.1-13.2	50/60	NEMA L6-20P 20 Amp., 250 Volt Straight Twist Lock