

# HDS Hot Dog Steamer



**HDS-20**

Serve hot, fresh, and delicious hot dogs in a flash. The Hot Dog Steamer is an all-in-one unit that uses plain tap water to steam both hot dogs and buns and keep them ready to serve. This unit has a four- to five-hour holding time and turns off automatically when out of water.

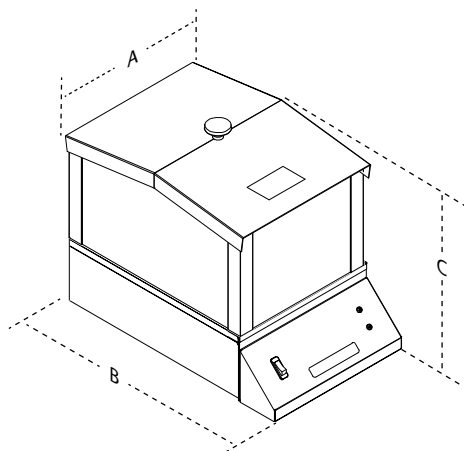
## Features

---

- Easy to use and clean.
- Small footprint.
- Inexpensive to own and operate.
- Uses plain tap water.
- Stainless steel construction.
- Turns off automatically when out of water.
- 175°F (79°C) water setpoint temperature.
- Four- to five-hour holding time.
- Optional rack accessories available.
- Capacity: 32 Hot Dogs and 16 Buns with optional rack accessories.

# HDS Hot Dog Steamer

## Dimensions



Model No.	Width (A)	Depth (B)	Height (C)
-----------	-----------	-----------	------------

HDS-20	10 1/16" (256 mm)	16 5/8" (422 mm)	11 5/8" (296 mm)
--------	----------------------	---------------------	---------------------

## Shipping Dimensions

Model No.	Height	Width	Depth	Weight
-----------	--------	-------	-------	--------

HDS-20	15" (381 mm)	19" (483 mm)	13" (330 mm)	17 lbs. (7.7 kg)
--------	-----------------	-----------------	-----------------	---------------------

## Electrical Ratings and Plug Configuration

Model & Mfg. No.	Volts	Watts	Amps	Hertz	Plug Description
HDS-20 9800207	120	1000	8.3	50/60	NEMA 5-15P 15 Amp., 120 Volt
HDS-20 9800206	230	1000	4.4	50/60	CEE 7/7 10 Amp., 250 Volt

## Specifications

Model & Mfg. No.	Approvals
HDS-20 9800207	 
HDS-20 9800206	 

## Accessories

