

VCT Vertical Contact Toaster



VCT-1000



VCT-1000
with mechanical
butter wheel
and bun feeder

Bring out all of a burger's flavors by serving it on perfectly toasted buns. The Vertical Contact Toaster gives buns a consistent, golden brown finish so they won't soak up the juices of the ingredients and the burger will stay firm and delicious.

The VCT-1000 features a dual-sided platen that provides twice the toasting capacity of conventional single-sided toasters. Place buns in the top of the toaster, and in as little as 10 seconds, golden brown, warm buns can be retrieved from the bottom.

Features

- Dual-sided platen for additional toasting capacity compared to conventional single-sided toasters.
- Stainless steel construction.
- Space-saving vertical design.
- Continuously moving conveyor.
- Separate compression adjustments for heel and crown.
- Easy-to-adjust dial thermostat.
- Easy to operate and clean.
- Available toasting times range from 10 to 28 seconds.

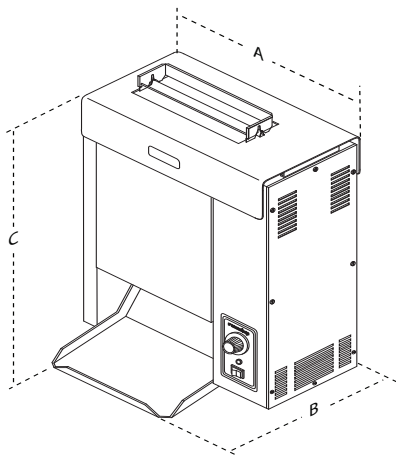


roundup

a brand by A.J. Antunes & Co. www.ajantunes.com

VCT Vertical Contact Toaster

Dimensions



Model & Mfg. No.	Width (A)	Depth (B)	Height (C)
VCT-1000 9210700	21 1/4"	15 1/4"	24 1/4"
9210702	(540 mm)	(387 mm)	(616 mm)
9210704			
9210710			
VCT-1000 9210709	21 1/4"	15 1/4"	23 1/4"
9210714	(540 mm)	(387 mm)	(591 mm)
VCT-1000 9210719	21 1/4"	15 1/4"	29 3/4"
	(540 mm)	(387 mm)	(756 mm)

Shipping Dimensions

Model & Mfg. No.	Height	Width	Depth	Weight
VCT-1000 9210700	33"	26"	17"	81 lbs.
9210702	(838 mm)	(660 mm)	(431 mm)	(38 kg)
9210704				
9210709				
9210710				
9210714				
VCT-1000 9210719	25"	28"	20"	94 lbs.
	(635 mm)	(711 mm)	(508 mm)	(43 kg)

Electrical Ratings and Plug Configuration

Model & Mfg. No.	Volts	Watts	Amps	Hertz	Plug Description
Without Belt Wraps					
VCT-1000 9210700	120	1800	15	50/60	NEMA 5-15P 15 Amp., 120 Volt
VCT-1000 9210702	208-240	2600- 3455	12.5-14.4	50/60	NEMA 6-20P 20 Amp., 250 Volt
VCT-1000 9210704	208-240	2600- 3455	12.5-14.4	50/60	IEC-309 16 Amp., 250 Volt Pin & Sleeve
VCT-1000 9210709	208-240	2600- 3455	12.5-14.4	50/60	NEMA 6-20P 20 Amp., 250 Volt
VCT-1000 9210714	208-240	2600- 3455	12.5-14.4	50/60	NEMA 6-20P 20 Amp., 250 Volt
With Belt Wraps					
VCT-1000 9210710	208-240	2600- 3455	12.5-14.4	50/60	IEC-309 16 Amp., 250 Volt Pin & Sleeve
With Mechanical Butter Wheel and Bun Feeder without Belt Wraps					
VCT-1000 9210719	208-240	2600- 3455	12.5-14.4	50/60	NEMA 6-20P 20 Amp., 250 Volt

Specifications

Model & Mfg. No.	Pass Through Time
VCT-1000 9210700	
9210702	10 seconds
9210704	
9210710	
VCT-1000 9210709	28 seconds
VCT-1000 9210714	17 seconds
VCT-1000 9210719	15 seconds

P/N 1020230 Rev. H 03/13