

VCT Vertical Contact Toaster



VCT-2

Introducing the VCT-2, the mini vertical contact toaster. With the smallest footprint of our entire line of vertical contact toasters, the VCT-2 is the perfect fit for any operation where space is at a premium. This unit has a dual-sided platen for toasting two buns (heel and crown) simultaneously. With individual heel and crown compression knobs and a digital controller, operations can easily make adjustments to toast quality.

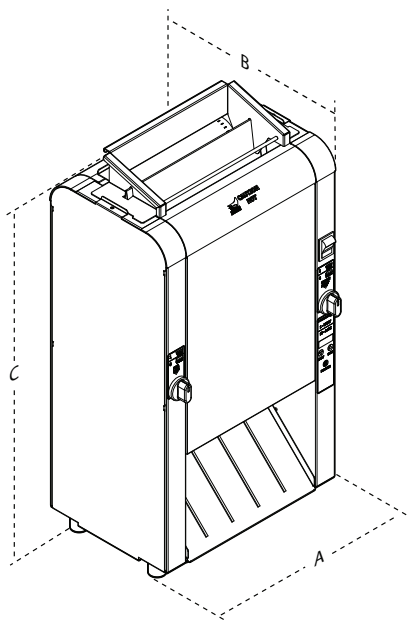
Features

- Dual-sided platen toasts two buns (heel and crown) simultaneously for increased capacity.
- Small footprint saves valuable countertop space.
- Individual heel and crown compression.
- Digital controller to make quick adjustments to toast quality.
- Toasts multiple products, including white and wheat buns
- Easy maintenance.
- Belt wraps eliminate bun marking.
- Vertical design for easy loading.
- Toasts product in 15 seconds (± 2 seconds).



VCT Vertical Contact Toaster

Dimensions



Model No.	Width (A)	Depth (B)	Height (C)
VCT-2 9210907	13" (330 mm)	10" (254 mm)	25 1/2" (648 mm)

Electrical Ratings and Plug Configuration

Model No.	Volts	Watts	Amps	Hertz	Plug Description
VCT-2 9210907	120	1800	15	50/60	NEMA 5-15P 120 Volt, 15 Amp. Non-Locking

Specifications

Toasting Time: 15 seconds (± 2 seconds)

Temperature Control: Solid State with Display

Power Cord: Six-foot grounded power cord supplied