

VCT Vertical Contact Toaster



VCT-50

Bring out all of a burger's flavors by serving it on perfectly toasted buns. The Vertical Contact Toaster gives buns a consistent, golden brown finish so they won't soak up the juices of the ingredients and the burger will stay firm and taste delicious.

The VCT-25 and VCT-50 feature a dual-sided platen that provides twice the toasting capacity of conventional single-sided toasters. Place buns in the top of the toaster, and then in 25 to 50 seconds, golden brown, warm buns can be retrieved from the bottom.

Features

- Dual-sided platen for additional toasting capacity compared to conventional single-sided toasters.
- Auxiliary heater warms top side of buns.
- Stainless steel construction.
- Space-saving vertical design.
- Continuously moving conveyor.
- Separate compression adjustments for the heel and the crown.
- Easy-to-adjust dial thermostat.
- Easy to operate and clean.

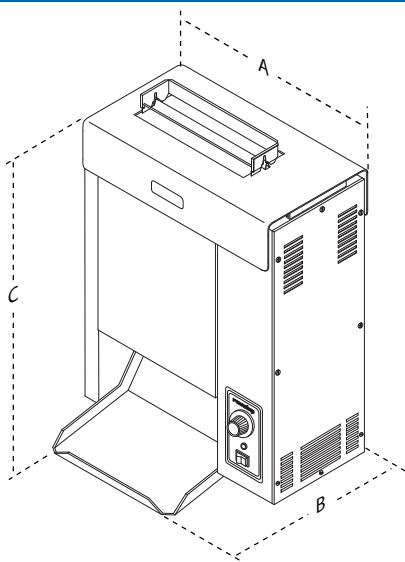


roundup

a brand by A.J. Antunes & Co. www.ajantunes.com

VCT Vertical Contact Toaster

Dimensions



Model & Mfg. No.	Width (A)	Depth (B)	Height (C)
VCT-25 9200620 9200628	21 1/4" (540 mm)	15 1/4" (387 mm)	23 1/4" (591 mm)
VCT-50 9200600 9200608	21 1/4" (540 mm)	15 1/4" (387 mm)	23 1/4" (591 mm)

Shipping Dimensions

Model & Mfg. No.	Height	Width	Depth	Weight
VCT-25 9200620 9200628	33" (838 mm)	26" (660 mm)	16" (406 mm)	88 lbs. (40 kg)
VCT-50 9200600 9200608	33" (838 mm)	26" (660 mm)	16" (406 mm)	84 lbs. (38 kg)

Electrical Ratings and Plug Configuration

Model & Mfg. No.	Volts	Watts	Amps	Hertz	Plug Description
VCT-25 9200620	120	1760	14.7	50/60	NEMA 5-15P 15 Amp., 120 Volt
VCT-25 9200628	208- 240	2600- 3460	12.5-14.4	50/60	CEE 7/7 16 Amp., 250 Volt
VCT-50 9200600	120	1760	14.7	50/60	NEMA 5-15P 15 Amp., 120 Volt
VCT-50 9200608	208- 240	2600- 3460	12.5	50/60	CEE 7/7 16 Amp., 250 Volt

P/N 1020232 Rev. F 12/12