

VS Variety Steamer



VS-200 ADB



VS-250



VS-350

Build a bigger, more complete menu with just a single piece of equipment. The Variety Steamer uses plain tap water to heat and cook individual portions of made-to-order menu items. The generator converts water to superheated dry steam so foods keep their original textures, colors, flavors, and nutrients. Available with 10 to 20 oz. baskets, this unit is ideal for cooking rice, breads, tortillas, pastas, meat, seafood, vegetables, and more.

Simple push-button action delivers an impulse of steam. Because the amount of steam is consistent, it removes the guesswork and produces a uniform finished product from one operator to the next.

NOTE: Variety Steamer units require a water pressure regulator. The psi should be between 20 and 30.

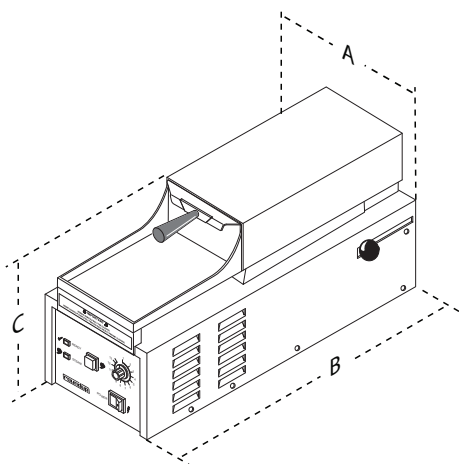
Features

- Basket steamer with 10 or 20 oz. baskets
- Single or double basket.
- Stainless steel construction.
- Consistently finished product.
- Instantly turns plain tap water into superheated dry steam.
- Solid state controls.
- Includes direct water hook-up kit (required).



VS Variety Steamer

Dimensions



Model & Mfg. No.	Width (A)	Depth (B)	Height (C)
VS-200	11 3/4" (298 mm)	22 1/8" (562 mm)	10 1/4" (260 mm)
VS-250	11 5/8" (295 mm)	21 3/8" (543 mm)	11 1/4" (286 mm)
VS-350	15" (381 mm)	23 1/2" (597 mm)	11 3/8" (289 mm)

Shipping Dimensions

Model & Mfg. No.	Height	Width	Depth	Weight
VS-200	15" (381 mm)	15" (381 mm)	30" (762 mm)	46 lbs. (21 kg)
VS-250	15" (381 mm)	15" (381 mm)	30" (762 mm)	47 lbs. (21 kg)
VS-350	16" (406 mm)	16" (406 mm)	28" (711 mm)	68 lbs. (31 kg)

Electrical Ratings and Plug Configurations

Model & Mfg. No.	Volts	Watts	Amps	Hertz	Plug Description
------------------	-------	-------	------	-------	------------------

Capacity: Two 10 oz. baskets

VS-200 ADB 9100220	208- 240	2854- 3800	13.7- 15.8	50/60	NEMA 6-20P 20 Amp., 250 Volt
-----------------------	-------------	---------------	---------------	-------	---------------------------------

VS-200 ADB 9100222	230	3490	15.2	50/60	CEE 7/7 16 Amp., 250 Volt
-----------------------	-----	------	------	-------	------------------------------

Capacity: One 20 oz. basket

VS-200 ASB 9100210	208- 240	2854- 3800	13.7- 15.8	50/60	NEMA 6-20P 20 Amp., 250 Volt
-----------------------	-------------	---------------	---------------	-------	---------------------------------

VS-200 ASB 9100212	230	3490	15.2	50/60	CEE 7/7 16 Amp., 250 Volt
-----------------------	-----	------	------	-------	------------------------------

Capacity: Two 10 oz. baskets

VS-250 9100260	208	2637	12.7	50/60	NEMA 6-20P 20 Amp., 250 Volt
-------------------	-----	------	------	-------	---------------------------------

VS-250 9100262	230	3490	15.2	50/60	CEE 7/7 16 Amp., 250 Volt
-------------------	-----	------	------	-------	------------------------------

Capacity: Two 20 oz. baskets

VS-350 9100700	208	5000	24	50/60	NEMA L6-30P 30 Amp., 250 Volt Straight Twist Lock
-------------------	-----	------	----	-------	---------------------------------------------------------

VS-350 9100710	230	5000	21.7	50/60	IEC-309 32 Amp., 250 Volt Pin & Sleeve
-------------------	-----	------	------	-------	----------------------------------------------

VS-350 9100720	230	3500	15.2	50/60	CEE 7/7 16 Amp., 250 Volt
-------------------	-----	------	------	-------	------------------------------

P/N 1020229 Rev. H 12/12