

Salvajor Model ARSS & ARSS-LD

Automatic
Reversing
Start
Stop

Pre-Wired Automatic Reversing Control Panel

for Disposer Models: 75 - 100 - 150 - 200 - 300 - 500 - 750

SPECIFICATIONS:

- NEMA 4 Stainless Steel Watertight Enclosure
- Solid State Control Circuit
- 24 Volt Safety Circuitry
- 45 Second Drain Line Flush
- Automatic Reversing Magnetic Contactors
- Terminal Strip Connections
- START/STOP Push Buttons
- *Energy/Water-Saving Mode*
- 3 Second Reversing Safety Delay
- User Adjustable Run Time
- LED Status Readout

OPTIONAL:

- Line Disconnect (LD)

VOLTAGES AVAILABLE:

1-PHASE
115 VOLT, 208-230 VOLT

3-PHASE
208-230 VOLT, 460 VOLT

◆ SPECIFY EXACT OPERATING VOLTAGE ◆

ACCESSORIES AVAILABLE:

- MOUNTED SOLENOID VALVE 1/2", AND FLOW CONTROL (P)
- MOUNTED SOLENOID VALVE 1/2", FLOW CONTROL AND PRESSURE SWITCH (PP)
- #980105 MOUNTING BRACKET
- #980104 REMOTE MOUNTING BRACKET
- #RSS REMOTE START/STOP

(Specifications subject to change without notice)

SAFETY FEATURE:

The ARSS & ARSS-LD controls include an operator safety feature that prevents automatic starting of the disposer after a power interruption. To re-start the disposer, the operator must push the **START** button.



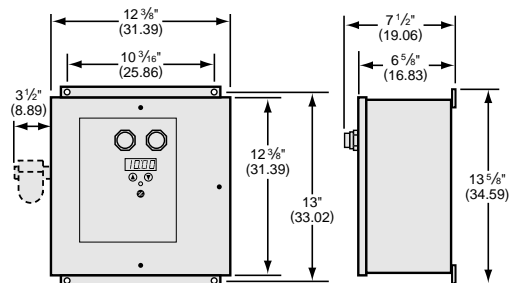
MODEL ARSS & ARSS-LD DISPOSER CONTROL

for use with
Salvajor Models:
75 - 100 - 150 - 200 -
300 - 500 - 750

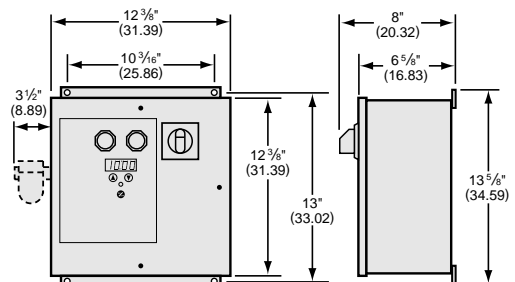
WEIGHT: 25 LBS.



ARSS

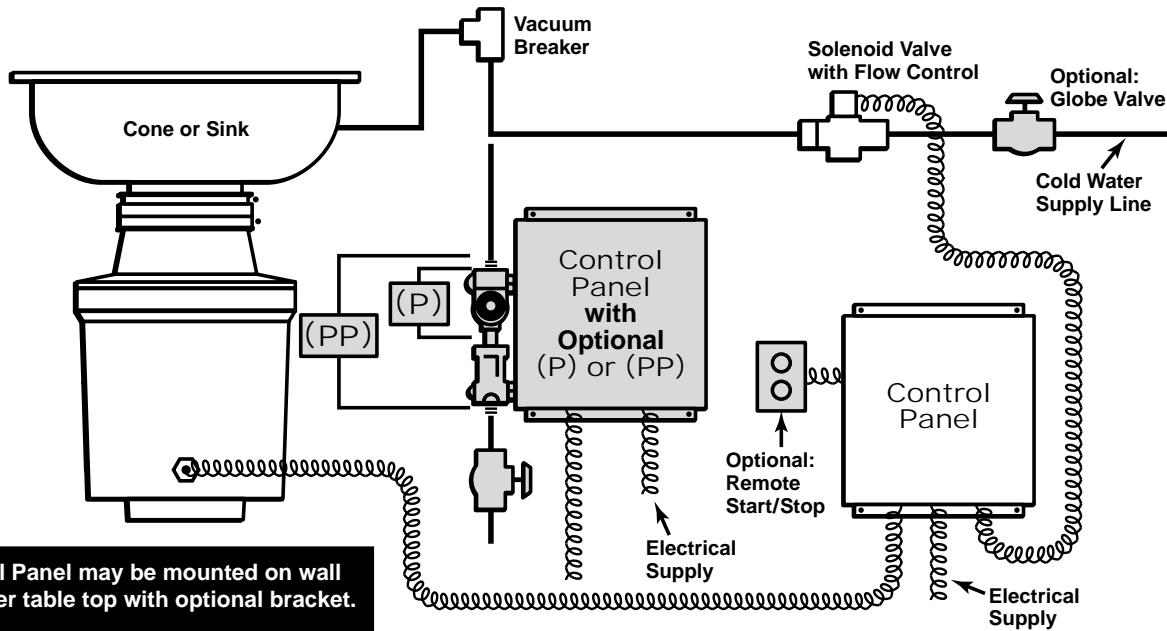


ARSS-LD



NOTE: Dimensions in parenthesis are in centimeters

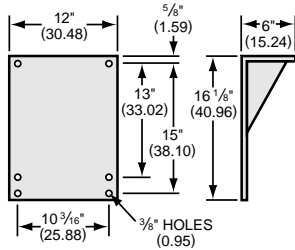
Typical Installation Diagram of Salvajor Model ARSS & ARSS-LD Control Panel with Disposer



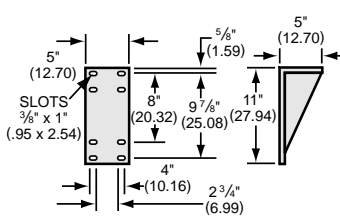
Control Panel may be mounted on wall or under table top with optional bracket.
Motor has overload protection.

NOTE: INSTALL PER ALL APPLICABLE CODES

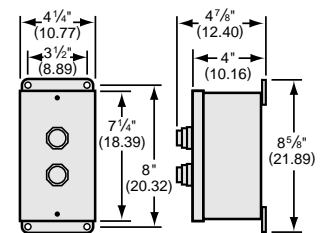
#980105 Optional Mounting Bracket for Control Panel



#980104 Optional Mounting Bracket for Remote Start/Stop



#RSS Optional Remote Start/Stop



NOTE: Dimensions in parenthesis are in centimeters

SAMPLE SPECIFICATION:

ARSS automatic reversing control panel with start-stop push buttons, 24 volt safety circuit, energy/water-saving mode, and adjustable run time.

ARSS-LD includes Line Disconnect.

Item Numbers for Ordering

CONTROL MODEL	VOLTAGE	PHASE	ITEM NO.
ARSS or ARSS-P or ARSS-PP	115	1	ARSS 4
	208 or 230	1	ARSS 5
	208 or 230	3	ARSS 7
	460	3	ARSS 9
ARSS-LD or ARSS-LD-P or ARSS-LD-PP	115	1	ARSSLD 4
	208 or 230	1	ARSSLD 5
	208 or 230	3	ARSSLD 7
	460	3	ARSSLD 9

◆ SPECIFY EXACT OPERATING VOLTAGE ◆



The Salvajor Company 4530 East 75th Terrace Kansas City, Missouri 64132-2081, USA

1-800-821-3136

(816) 363-1030

FAX: 1-800-832-9373

www.salvajor.com

Email: sales@salvajor.com

service@salvajor.com

Manufacturers of Commercial Food Waste Disposing Systems since 1944

Printed in USA
Form No. ARSS-6-BH