

TECHNICAL DATA SHEET

SMART SYSTEM
With **IQ** Sensor™

Electronic Touchless Roll Towel Dispenser

Product Code: T1400

- Universal Paper Dispensing: Dispenses any paper quality, including low basis weight/high absorbent paper.
- Dispenses (1) 8" rolls with 4 D-Size Batteries
- Default Setting: IQ Sensor with self-adjusting sensing field
- Dual Mode: IQ Sensor Mode or Towel Out Mode
- Controlled Usage
 - Programmable paper length
 - Programmable paper delay settings
- Battery options (D-Cell; alkaline) or AC Adapter available
- Battery usage 80 rolls of 800' tissue on 4D Cell batteries in Sensing Mode. Battery life only goes up when towel out mode is activated.
- Downloadable data usage to PDA to monitor paper usage
- Infinity® System: automatic transfer system to eliminate stub roll waste

Installation: Wall mounted

Closure: With lock

Color: Transparent Black Pearl (TBK)
Transparent Arctic Blue (TBL)
Opaque White/Clear (WHCL)

Product Dimensions:
16½" (L) x 11¾" (W) x 9¼" (D)

Capacity:
(1) 8" wide roll; 8.5" diameter and 4" stub roll

Min Core Diameter: 1.5"

Case Weight: 8.0 lbs

Materials:

Base : break resistant plastic
Cover: break resistant plastic

Standard Product Codes:

T1400TBK, T1400TBL, T1400WHCL

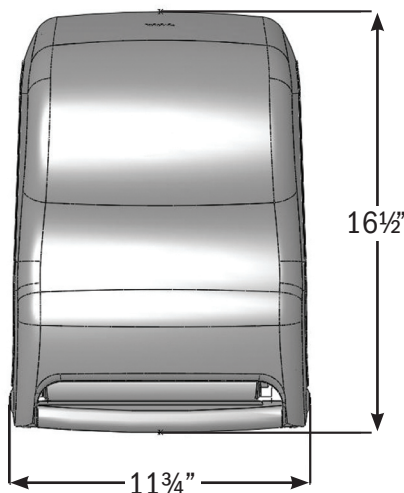
Features Also Available:

 (please call customer care)

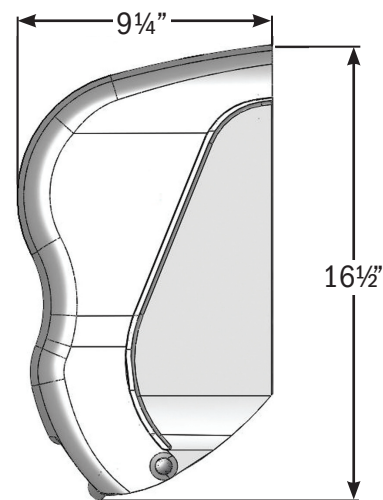
2" Core Diameter Models
Replaceable Drive Module
Replaceable Covers
Replacement Keys and Lock Fingers



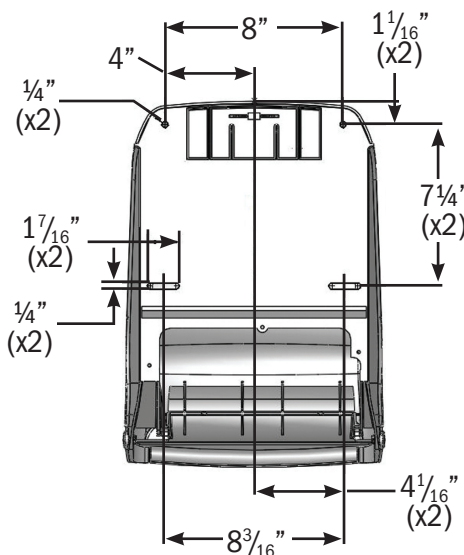
FRONT (inches)



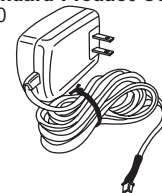
SIDE (inches)



BACK (inches)



Optional AC Adapter
Standard Product Code:
XT50



See next page for mm

SAN JAMAR
555 Koopman Lane
Elkhorn, Wisconsin 53121 USA
T: (262) 723-6133
F: (262) 723-4204
Customer Care: (800) 248-9826
E-Mail: Sanjamar@sanjamar.com
www.sanjamar.com

SAN JAMAR EUROPE, INC
Schoorstraat 26A, Bus 1
B-2220 Heist-Op-Den-Berg
BELGIUM
T: +32(0)1522 8140
F: +32(0)1522 8148
E-Mail: Sjeurope@sanjamar.com

SAN JAMAR Mexico, S de RL de CV
Prolongación Av. San Antonio
No. 135 col. San Pedro de los Pinos
Delagación Alvaro Obregón
C.P. 01180 en México, DF MEXICO
T: +52 (55) 3626 0772
F: +52 (55) 5273 4495
E-Mail: sjmexico@sanjamar.com

SAN JAMAR
Smart ♦ Safe ♦ Sanitary

TECHNICAL DATA SHEET

SMART SYSTEM
With **iQ** Sensor™

Electronic Touchless Roll Towel Dispenser

Product Code: T1400

- Universal Paper Dispensing: Dispenses any paper quality, including low basis weight/high absorbent paper.
- Dispenses (1) 20.3 cm rolls with 4 D-Size Batteries
- Default Setting: IQ Sensor with self-adjusting sensing field
- Dual Mode: IQ Sensor Mode or Towel Out Mode
- Controlled Usage
 - Programmable paper length
 - Programmable paper delay settings
- Battery options (D-Cell; alkaline) or AC Adapter available
- Battery usage 80 rolls of 800' tissue on 4D Cell batteries in Sensing Mode. Battery life only goes up when towel out mode is activated.
- Downloadable data usage to PDA to monitor paper usage
- Infinity® System: automatic transfer system to eliminate stub roll waste

Installation: Wall mounted

Closure: With lock

Color: Transparent Black Pearl (TBK)
Transparent Arctic Blue (TBL)
Opaque White/Clear (WHCL)

Product Dimensions:

41.9 cm (L) x 29.9 cm (W) x 23.5 cm (D)

Capacity:

(1) 20.3cm wide roll; 21.6cm diameter and 10.2cm stub roll

Min Core Diameter: 3.8cm

Case Weight: 3.63 kgs

Materials:

Base : break resistant plastic
Cover: break resistant plastic

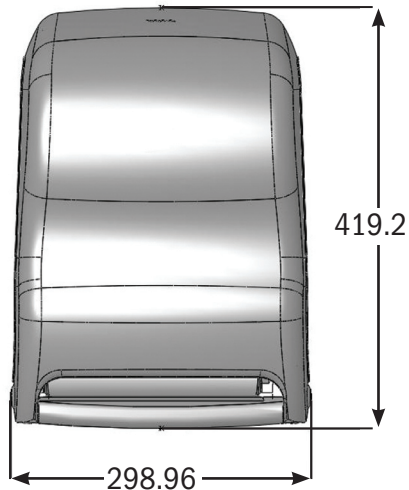
Standard Product Codes:

T1400TBK, T1400TBL, T1400WHCL

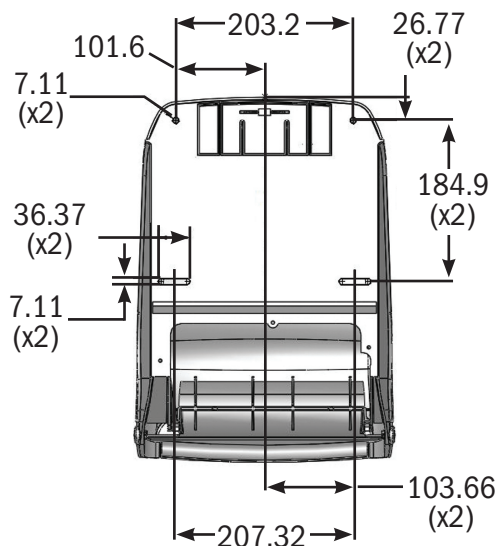
Features Also Available: (please call customer care)

2" Core Diameter Models
Replaceable Drive Module
Replaceable Covers
Replacement Keys and Lock Fingers

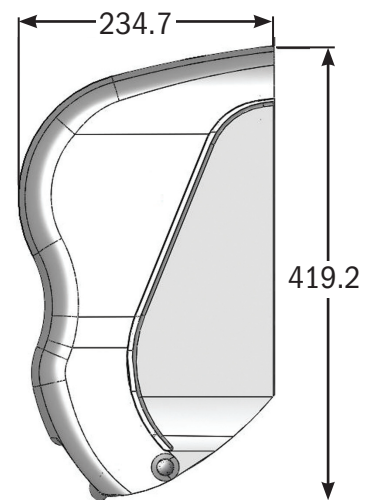
FRONT (mm)



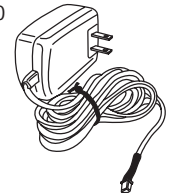
BACK (mm)



SIDE (mm)



Optional AC Adapter
Standard Product Code:
XT50



SAN JAMAR
555 Koopman Lane
Elkhorn, Wisconsin 53121 USA
T: (262) 723-6133
F: (262) 723-4204
Customer Care: (800) 248-9826
E-Mail: Sanjamar@sanjamar.com
www.sanjamar.com

SAN JAMAR EUROPE, INC
Schoorstraat 26A, Bus 1
B-2220 Heist-Op-Den-Berg
BELGIUM
T: +32(0)1522 8140
F: +32(0)1522 8148
E-Mail: Sjeurope@sanjamar.com

SAN JAMAR Mexico, S de RL de CV
Prolongación Av. San Antonio
No. 135 col. San Pedro de los Pinos
Delagación Alvaro Obregón
C.P. 01180 en México, DF MEXICO
T: +52 (55) 3626 0772
F: +52 (55) 5273 4495
E-Mail: sjmexico@sanjamar.com

SAN JAMAR
Smart ♦ Safe ♦ Sanitary