



Job: _____

Item No. _____

DESIGNED FOR HIGHER VOLUME APPLICATIONS

**Seven – 4 oz. Cones & Five - 16 oz. Shakes per Minute
and 20 Quart Capacity per side**

GREAT FOR ICE CREAM SHOPS, CAFETERIAS, COMMISSARIES

The **SaniServ** Model 824 Twin Flavor Soft Serve Freezer can provide not one but two favorite high profit, consistent quality soft serve and shake products in a dual barrel design! The ease of the model 824's operation and product versatility is a favorite among owners and operators. The high production, capacity and recovery time insures the 824 is a perfect piece of equipment for satisfying enough of any two customer favorite frozen treats at any time! Add a Syrup Rail and Drink Spinner to offer a wide variety of products like malts, sundaes, ice cream treats with add-ins and cones.

HEAVY DUTY

Traditional Floor Model Design - SaniServ model 824 provides a high volume of two flavors of soft serve and shake products in the traditional floor model design. Operators can turn that valuable floor space into a high profit center by providing two frozen favorite treats customers enjoy!

EASY CLEANING AND OPERATION

Fewer Parts = Simplified Cleaning – SaniServ equipment is designed and built with the fewest parts to be disassembled, cleaned and sanitized than any other machine in the industry. The state of the art solid-state **AccuFreeze** control insures product consistency, worry-free operation and customer satisfaction.

HIGH RETURN ON INVESTMENT

Increased Profits – SaniServ machines combine efficiency with consistent product quality and fast, quiet operation while insuring customer satisfaction with high profit ice cream or yogurt products.

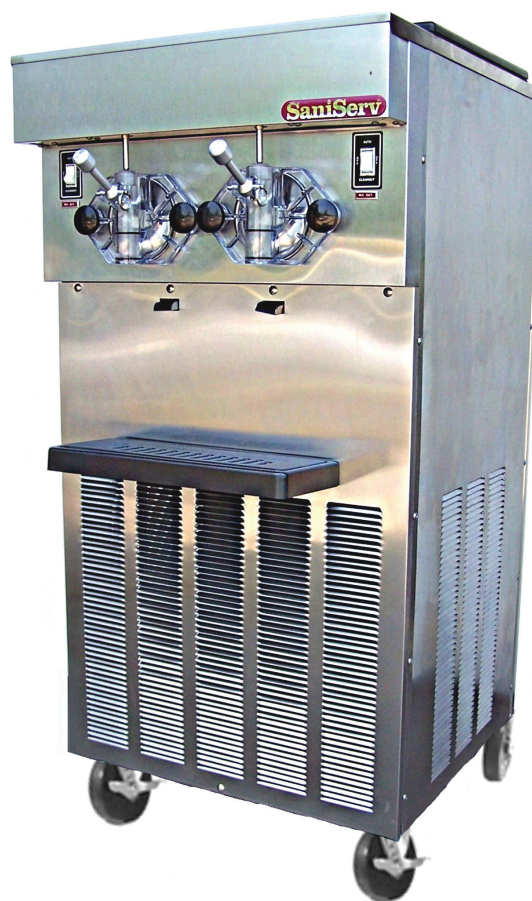
QUALITY DESIGN

Durability – SaniServ machines are built to achieve long and dependable life through simplicity of design. Every machine is shipped standard with a stainless steel exterior, durable steel interior frame construction, heavy-duty components and consistency systems.

Model 824

Floor Model

**Soft Serve Ice Cream
and Shake Machine
With AccuFreeze Control**



Made in USA

We reserve the right to change specifications and product designs without notice. Such revisions do not entitle the buyer to corresponding changes, improvements, additions or replacements for previously purchased equipment.

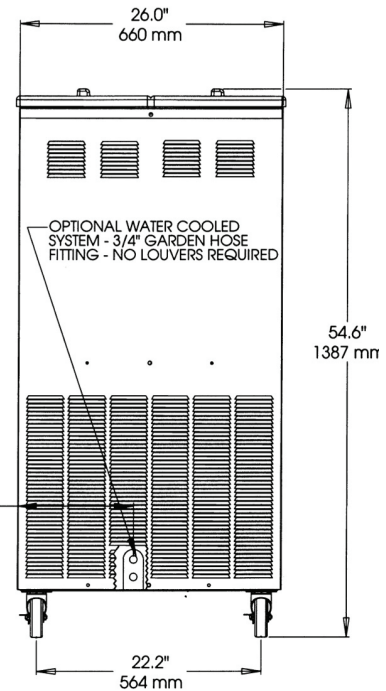
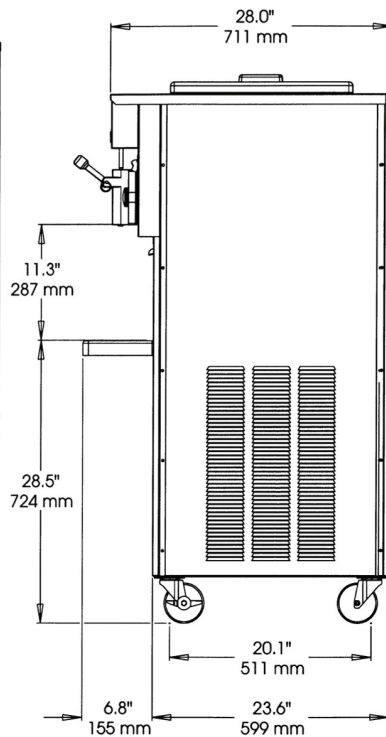
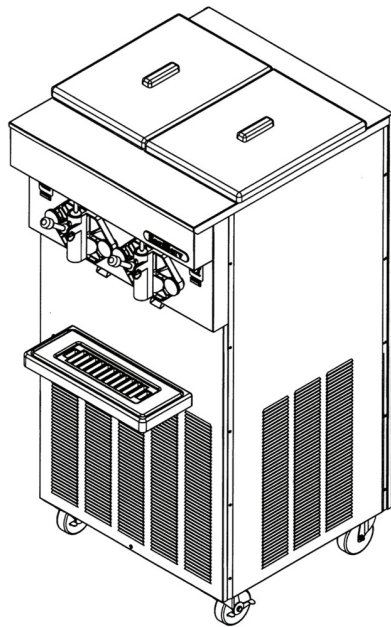
451 E. County Line Rd. • P.O. Box 1089 • Mooresville, IN 46158
Toll Free 800-733-8073 • Local 317-831-7030 • Fax 317-831-7036

www.saniserv.com

VER: 1-13

MODEL 824

Floor Model *Combination* Soft Serve/Yogurt & Shake Freezer



Minimum Wall Clearance
Both Sides and Back -
6 inches (152 mm)

ELECTRICAL				WIDTH	HEIGHT	DEPTH	WEIGHT	VOLUME
VOLTS	Hz	Ph.	Amps	INCHES (MM)	INCHES (MM)	INCHES (MM)	LBS. (Kg)	CU FT. (cu. m.)
208-230	60	1	(1) 25 (1) 30 *	26 (660)	54.6 (1387)	28 (711)	575 (261)	
208-230	60	3	20*					
Shipping Specifications				37 (940)	60 (1524)	41 (1024)	605 (275)	52.7 (1.49)

* Two separate circuits required.

Specifications:

Cooling System:

Air or Water

Dasher and Compressor Motors:

- (1) ¼ HP Dasher Shake
- (1) 1 HP Dasher Soft Serve
- (2) 2 HP Compressor

Refrigerant Type:

R404A

Listings:

UL, cUL, NSF

Features:

Evaporator and Mix Reservoir

Capacity:
20 Quarts (18.9 liters)

Dasher:

Heavy-Duty Stainless Steel with low friction scraper blades.

Controls:

AccuFreeze solid-state control for accurate product consistency.

Solid State Audio/Visual Mix Out System with Compressor Lockout

Warranty:

Parts 1 year
Compressor 5 years
Evaporator 5 years

Options:

Tune Up Kit
Parts Tray
Syrup Rail
Drink Spinner
Water Cooled -3/4" Garden Hose Fitting
Wash Out Kit -3/8" Flare Fitting
Export Voltages