

BH1100, BH1300, BH1600 – Storage Bins

Large Modular Storage Bins



Features

- Spring loaded door hinge keeps door open when accessing ice.
- Seamless poly liner inside the bin for better sanitation. Resists scratches and scuffs.
- All models available with all stainless steel construction or stainless steel with galvanized back and bottom.
- Features a roto-molded pouch door that is dent and scratch resistant and doesn't sweat.
- The pouch style door can be installed without tools in less than five minutes. It is shipped inside the bin to provide a narrower bin for delivery through doorways.
- Adjustable bin top filler panels included for use with most Scotsman ice machines.

BH1600SS

Storage Capacity

BH1100BB / SS		BH1300BB / SS		BH1600BB / SS	
APPLICATION Capacity lb/kg	AHRI Capacity lb/kg	APPLICATION Capacity lb/kg	AHRI Capacity lb/kg	APPLICATION Capacity lb/kg	AHRI Capacity lb/kg
1100/499	860/393	1400/635	1100/499	1755/796	1375/624



Dimensions (W x D x H)

BH1100BB / SS	BH1300BB / SS	BH1600BB / SS
48" x 34" x 50"* (121.9 x 86.4 x 127.0 cm)	60" x 34" x 50"* (152.4 x 86.4 x 127.0 cm)	60" x 34" x 62"* (152.4 x 86.4 x 157.5 cm)

BB - All stainless steel except galvanized back and bottom

* Add 6" for legs

SS - All stainless steel with polyethylene liner

Application capacity is based on 90% of total volume in cubic feet x 34 lb./ft.³

AHRI capacity is based on 80% of total volume in cubic feet x 30 lb./ft.³

Polyurethane Insulation

Foam insulation is forced between the wall and liner under heat and pressure to form a perfect wall to wall bond, preserving ice supply for long periods.

First Ice In First Ice Out

The first ice that drops in the bin is the first ice that comes out and is used, ensuring fresh tasting ice all the time.

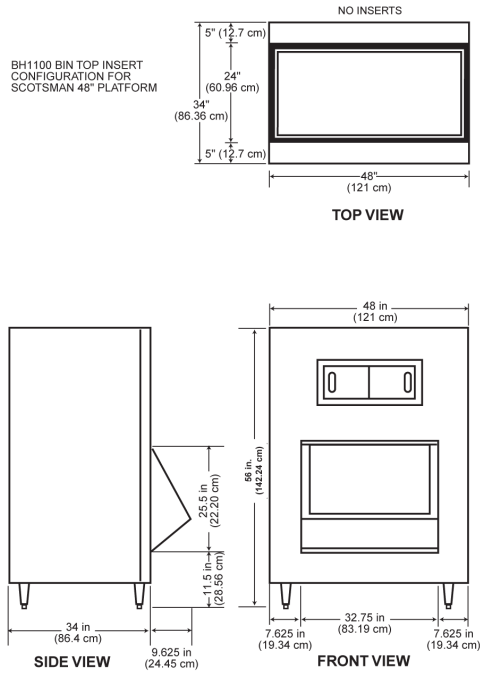
Warranty

- 5 years parts and labor on all components.

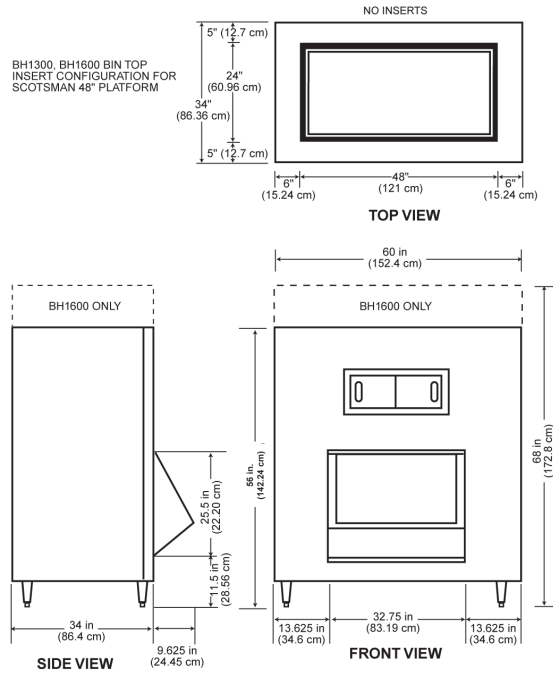
Warranty valid in North, South & Central America. Contact factory for warranty in other regions.

Installation Note: Allow 6" space at back for utility connections.

1100 UPRIGHT



1300/1600 UPRIGHT



Drain: 1" FPT drain fitting

Shipping Information

Model #	Carton (W x D x H)	Weight (lb/kg)
BH1100BB-A	54" x 39" x 56"	280 / 127
BH1100SS-A	54" x 39" x 56"	280 / 127
BH1300BB-A	65" x 41" x 56"	320 / 145
BH1300SS-A	65" x 41" x 56"	320 / 145
BH1600BB-A	65" x 41" x 67"	370 / 168
BH1600SS-A	65" x 41" x 67"	370 / 168

Field Installed Stainless Steel Bin Tops

Model #	BH1000BB / SS	BH1300BB / SS	BH1600BB / SS
EH222	KBT50	KBT52	KBT52
(2) EH222 side-by-side	KBT51	-	-
(2) 30" Cubers or Flakers side-by-side	-	KBT54	KBT54

Specifications and design are subject to change without notice.

Scotsman Ice Systems - 775 Corporate Woods Parkway - Vernon Hills, IL 60061

1-800-SCOTSMAN

Fax: 847-913-9844

E-mail: customer.relations@scotsman-ice.com

www.scotsman-ice.com

© 2012 Scotsman Ice Systems.

SIS-SS-BIN-BH 06-12