

# C0322 – 300 lb Cube Ice Machine

## Prodigy® Modular Cube Ice Maker



Shown on B3225 bin.

### Features

Prodigy® cubers use **significantly less energy and water** than other cube ice machines, exceeding Federal energy efficiency regulations.

**AutoAlert™ indicator lights** constantly communicate about operating status and actually signal your staff when it's time to descale, sanitize, and more—making upkeep practically foolproof.

The patented **WaterSense adaptive purge control** delivers maximum reliability by reducing scale buildup for a longer time between cleanings.

**Preventative maintenance is simpler** than ever with easily-removed panels allowing clear access to internal components and a diagnostic code display insuring the right fix the first time. Reusable air filter is easily removable from the outside.

All external panel components are crafted for **optimal aesthetic appeal** through superior fit and finish.

An optional **advanced feature Smart-Board™** provides NAFEM data protocol and additional operational data that can be displayed on-screen or transmitted remotely, resulting in early alert and fast diagnosis of operating issues.

An optional **Vari-Smart™ ultrasonic ice level control** sensor allows you flexibility to program ice levels, for up to 7 days, keeping just the right amount of freshly made ice in the bin.

### 24 Hour Volume Production

Air Cooled	
70°F/21°C 50°F/10°C lb/kg	AHRI 90°F/32°C 70°F/21°C lb/kg
356/162	255/116

Water Cooled	
70°F/21°C 50°F/10°C lb/kg	AHRI 90°F/32°C 70°F/21°C lb/kg
366/166	280/127



### Modular Bin Options

Model Number	Dimensions W" x D" x H"	AHRI Certified Bin Capacity lb/kg	Application Capacity lb/kg	Finish	Ship Weight lb/kg
B3225	22 x 34 x 44	290/132	370/168	SS	140/64



Bin: B2225

### Cube Ice



Small Cube  
7/8" x 7/8" x 3/8"  
(2.22 x 2.22 x .95 cm)



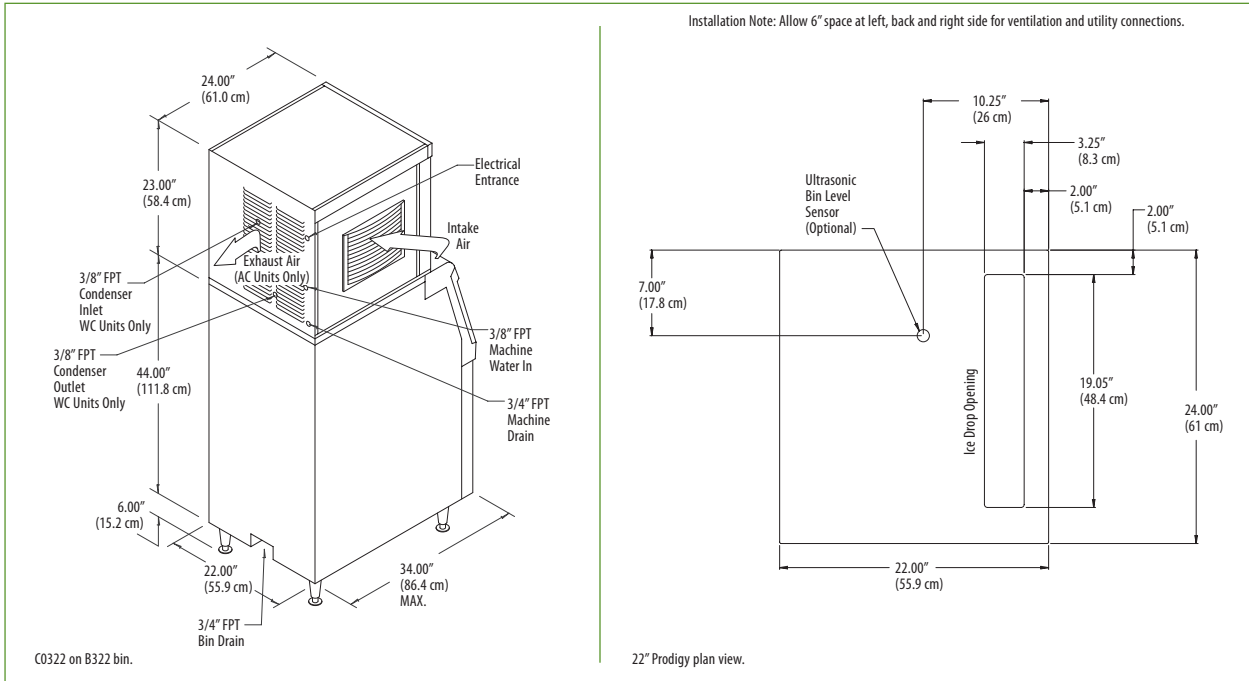
Medium Cube  
7/8" x 7/8" x 7/8"  
(2.22 x 2.22 x 2.22 cm)

Common ice form, ideal for mixed drinks.

### Warranty

- 3 years parts and labor on all components.
- 5 years parts and labor on the evaporator.
- 5 years parts on the compressor and condenser.

Warranty valid in North, South & Central America.  
Contact factory for warranty in other regions.



## Specifications

Model Number* Cube Size: medium or small	Condenser Unit	Basic Electrical Volts/Hz/Phase	Max. Fuse Size or HACR Circuit Breaker (amps)	Circuit Wires	Min. Circuit Ampacity	Energy Consumption kWh/100 lb (45.4 kg) 90°F(32°C)/70°F(21°C)	Water Usage Gallons/100 lb (liters/45.4 kg)	
							Potable 90°F(32°C)/ 70°F(21°C)	Condenser 90°F(32°C)/ 70°F(21°C)
<b>C0322MA-1</b>	Air	115/60/1	15	2	12.7	6.6	19.0/72.0	-
C0322MW-1	Water	115/60/1	15	2	11.9	5.2	18.3/69.4	163.0/617.0
<b>C0322SA-1</b>	Air	115/60/1	15	2	12.7	6.6	19.0/72.0	-
C0322SW-1	Water	115/60/1	15	2	11.9	5.2	18.3/69.4	163.0/617.0

\* 208-230/60/1 Voltage - Substitute "-32" in place of "-1", i.e. C0322SA-32A.   = ENERGY STAR<sup>®</sup>

## All Models

Dimensions (W x D x H):  
Unit: 22" x 24" x 23"  
(55.9 x 61.0 x 58.4 cm)

Shipping Carton:  
25.5" x 27.5" x 28"  
(64.8 x 69.9 x 71.1 cm)

Shipping Weight:  
145 lb / 66 kg

BTUs per hour:  
5,200

## Accessories

Model Number	Description
KVS	Vari-Smart™ Ice Level Control - Program ice bin levels to match ice needs.
KSBU	Smart-Board™ Advanced Control - Use additional operational data for fast diagnosis.
KSBU-N	Smart-Board™ Advanced Control with Network - Network capable.
KPAS	Prodigy Advanced Sustainability kit- Includes KVS and KSBU-N

\* Scotsman recommends all ice machines have water filtration. See Scotsman Sanitation Matrix for details.

## Operating Requirements

	Minimum	Maximum
Air Temperatures	50°F (10°C)	100°F (38°C)
Water Temperatures	40°F (4.4°C)	100°F (38°C)
Remote Cond. Temps	-20°F (-29°C)	120°F (49°C)
Water Pressures	20 PSIG (1.4 bar)	80 PSIG (5.5 bar)
Electrical Voltage	-10%	+10%

Specifications and design are subject to change without notice.

Scotsman Ice Systems · 775 Corporate Woods Parkway · Vernon Hills, IL 60061

1-800-SCOTSMAN

Fax: 847-913-9844

E-mail: customer.relations@scotsman-ice.com

www.scotsman-ice.com