

PUMPS: POUCHED PRODUCTS EXTREME™ DISPENSER

Model ECD

WHAT DO YOU DISPENSE?

- THIN • fountain syrups • liqueur • hot or soy sauce
- THICK • ketchup • mustard • mayo • bbq sauce
- PARTICULATES • tartar sauce • Thousand Island




ECD 07500



TWO YEAR WARRANTY

Server Products equipment is backed by a two-year limited warranty against defects in materials and workmanship. For our complete warranty statement, please see our website.

BID DESCRIPTION

The Extreme™ countertop dispenser is constructed of a stainless steel shroud with black plastic lid. Includes NSF listed, plastic pump. Works exclusively with 3 gallon (11.3 L) bag in box packaging with a 38 mm bag connector.

Pump yields a maximum stroke of 1 ounce (30 mL) with adjustable portion control to reduce yield in ¼ ounce (7 mL) increments. The Extreme™ countertop dispenser is designed to work with thin, thick or particulate condiments and sauces achieving up to 97% evacuation.

STANDARD FEATURES

- Countertop unit needs no installation
- Holds 3 gallon (11 L) bag in box packaging for maximum time between change outs
- Pump is ADA compliant at ½ oz and ¼ oz portions, requiring less than 5 lbs. of pressure to dispense
- NSF listed pump is quick to breakdown and completely dishwasher safe
- Maximum stroke yields 1 ounce (30 mL)
- Easy-to-adjust portion control in ¼ ounce (7 mL) increments

ACCESSORY ITEMS

- Replacement Pump 07518
- Single Drip Tray Assembly 07291
- Cleaning Brush 82049

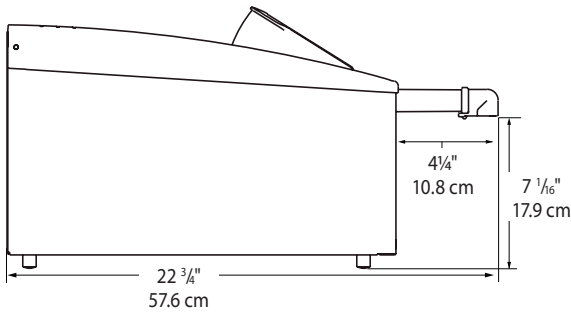
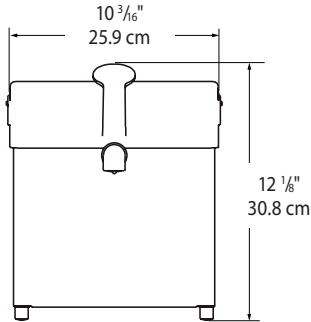
CAD LIBRARY

Individual CAD images can be downloaded free of charge from our website. Our complete collection of CAD files, along with more than 100 other manufacturers, can be purchased through Kochman Consultants, Ltd. at kclcad.com.

PUMPS: POUCHED PRODUCTS EXTREME™ DISPENSER

Model ECD

EXTREME COUNTERTOP DISPENSER™ ECD 07500



SPECIFICATIONS

Construction	Stainless steel shroud with black plastic lid includes surgical quality plastic pump.		
Certifications	NSF		
Capacity	3 gallon (11.3 L) capacity		
Dimensions	<u>Height</u>	<u>Width</u>	<u>Depth</u>
	12 ³ / ₈ " 31.4 cm	10 ³ / ₁₆ " 25.2 cm	22 ¹¹ / ₁₆ " 57.6 cm
Weight	14 lb (6.4 kg)		

BAG IN BOX PRODUCT SKU'S

Brand	Product	Product #
Heinz	Ketchup	51190
	Mustard	55950
	Mayonnaise	54050
	Hickory Smoked BBQ	53820
Hunt Wesson	Ketchup	27000-38335
	Mustard	27000-38617
	Mayonnaise	27000-38616
Sysco-House Brand	Ketchup	6396949
Golden State	Ketchup	900
	Mustard	909
	Mayonnaise	913

FOB RICHFIELD, WISCONSIN 53076

CAD LIBRARY

Individual CAD images can be downloaded free of charge from our website. Our complete collection of CAD files, along with more than 100 other manufacturers, can be purchased through Kochman Consultants, Ltd. at kclcad.com.