



S E R V E R

SERVE BETTER™

COLD FOOD HOLDERS HOLDCOLD™ JARS



ROUND HOLDCOLD™ JARS



RECTANGULAR HOLDCOLD™ JARS

BID DESCRIPTION

HOLDCOLD™ Jars are constructed of durable ABS plastic and filled with a non-toxic refrigerant gel. They are available in (2) styles—round or rectangular. Each style can be purchased in black or white or as a kit of (1) black and (1) white jar.

HOLDCOLD™ Jars help hold cream, toppings or condiments below 41° F (5° C) for up to 12 hours, when placed in an insulated unit and filled with refrigerated product. Place jar in the freezer for 8 hours prior to use.

Round jars are used in an insulated unit that accepts a standard #10 can. This includes Server cream servers, cream holders, and insulated condiment server. Round HOLDCOLD™ Jars have a holding capacity of 2¾ quarts (2.6 L).

Each deep fountain jar is notched to allow the lid to close over a ladle for increased sanitation. They also have molded feet to prevent tipping. Rectangular HOLDCOLD™ Jars work in insulated Server units that hold a standard deep fountain jar such as a two, three or four jar serving bar. Holding capacity is 2¼ quarts (2.1 L).

STANDARD FEATURES

- Double-walled construction assures long-lasting cooling
- Eliminates inconvenience and mess of cooling with ice
- Holds cream, toppings or condiments cold for up to 12 hours—longer cooling time saves on labor by reducing jar changeovers
- Round jars fit in insulated Server units that hold a #10 can
- Rectangular jars fit in any Server (2), (3) or (4) jar serving bar—use in place of standard deep fountain jars
- Available in black and white or a kit of (1) each



2 YEAR
WARRANTY

TWO YEAR WARRANTY

Server Products equipment is backed by a two-year limited warranty against defects in materials and workmanship. For a copy of our complete warranty statement, please refer to server-products.com.

CAD LIBRARY

Individual CAD images can be downloaded free of charge from our website. Our complete collection of CAD files, along with more than 100 other manufacturers, can be purchased through Kochman Consultants, Ltd. at kclcad.com.

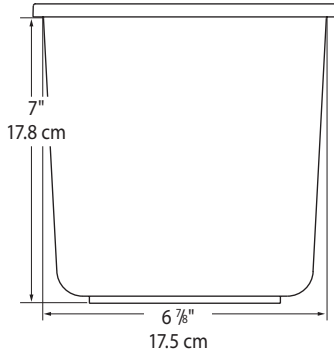


SERVER

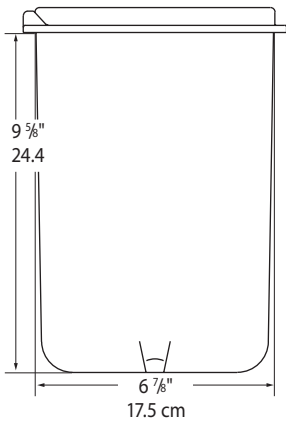
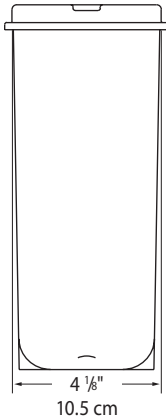
SERVE BETTER™

COLD FOOD HOLDERS HOLDCOLD™ JARS

ROUND HOLDCOLD™ JAR



RECTANGULAR HOLDCOLD™ JAR



| MODELS | ROUND JARS 94055 BLACK OR 94056 WHITE | RECTANGULAR JARS 82632 BLACK & 82633 WHITE |
|----------|---|---|
| Capacity | 2¾ qts (2.6 L) | 2¼ qts (2.1 L) |
| Height | 7" 17.8 cm | 7" 17.8 cm |
| Depth | 6 7/8" 17.5 cm | 6 7/8" 17.5 cm |
| Width | – | 4 1/8" 10.5 cm |
| Weight | 3 lb 1.4 kg | 4 lb 1.8 kg |
| Option | Kit (94057) of (1) each (94055) Black & (94056) White Round HOLDCOLD™ Jars. Weight is 6 lb (2.7 kg) | Kit (82634) of (1) each (82632) Black & (82633) White Rectangular HOLDCOLD™ Jars. Weight is 8 lb (3.6 kg) |

FOB RICHFIELD, WISCONSIN 53076