

# COLD FOOD HOLDERS STAINLESS STEEL PUMP, BAR COMBOS

Models SB-2, SB-2 DI, SB-3, SB-3 DI, SB-4 & SB-4 DI

## WHAT DO YOU DISPENSE?

- ◊ **THIN** • fountain syrups • liqueur • hot or soy sauce
- **THICK** • ketchup • mustard • mayo • bbq sauce
- **PARTICULATES** • tartar sauce • Thousand Island



●●  
SB-2 DI 79950



●●●  
SB-3 DI 83860



●●●●  
SB-4 83700

## BID DESCRIPTION

Insulated serving bars are constructed of a stainless steel exterior with a one-piece seamless plastic interior. Serving Bars can be cooled with ice, (1) Eutectic Ice Pack (94141) per jar or our deep fountain HOLDCOLD™ jars (not included).

Pump combination models come complete with multiples of: deep polypropylene fountain jars (82557) and CP-F (83330) pumps. Choose from countertop or drop-in models.

Stainless steel CP-F condiment pumps feature a rugged cast valve body and welded construction. Maximum stroke yields 1¼ ounce (37 mL) with gauging collars supplied to reduce yield in 1/8 ounce (3.7 mL) increments.

## STANDARD FEATURES

- Stainless steel exterior, seamless plastic interior & insulation
- Maximum stroke yields 1¼ oz (37 mL), now adjustable in 1/8 oz (3.7 mL) increments
- Colored, engraved knobs are available upon request (contact customer service for options)

## INSULATED BAR COMBOS WITH PUMPS

Includes	Countertop	Drop-In
(2) jars	SB-2 79890	SB-2 DI 79950
(3) jars	SB-3 83790	SB-3 DI 83860
(4) jars	SB-4 83700	SB-4 DI 83720

## ACCESSORY ITEMS

- Fountain Jar, Plastic, White, 7½" (19 cm) 82558
- Fountain Jar, Plastic, White, 10" (25.4 cm) 82557
- Fountain Jar, Plastic, Black, 7½" (19 cm) 83147
- Fountain Jar, Plastic, Black, 10" (25.4 cm) 83149
- Fountain Jar, Plastic, Orange, 7½" (19 cm) 83148
- Fountain Jar, Plastic, Orange, 10" (25.4 cm) 83156

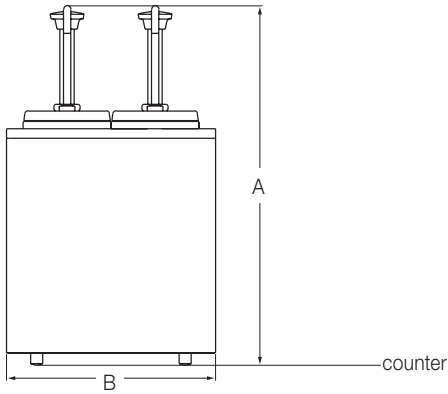


**2** YEAR  
WARRANTY

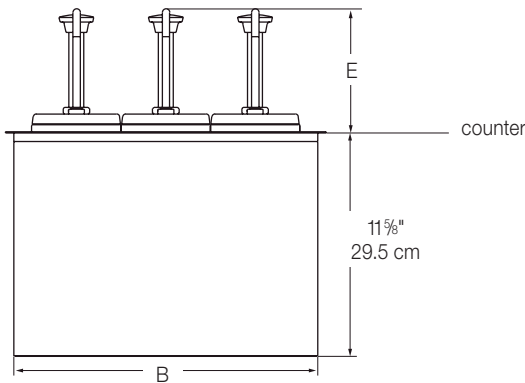
# COLD FOOD HOLDERS STAINLESS STEEL PUMP, BAR COMBOS

Models SB-2, SB-2 DI, SB-3, SB-3 DI, SB-4 & SB-4 DI

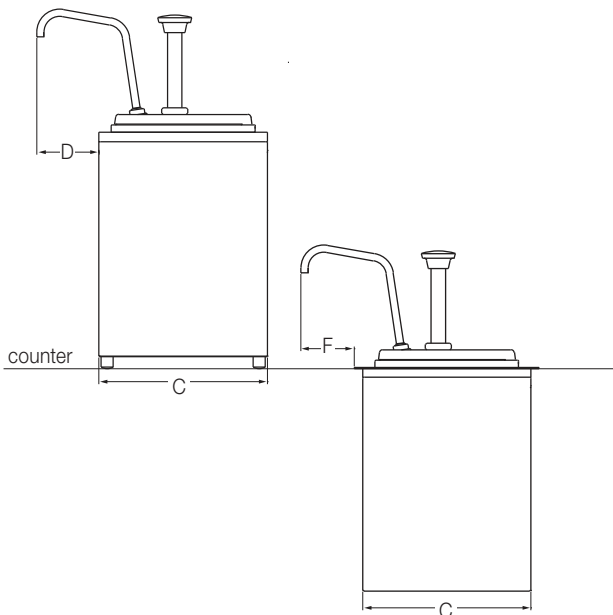
## SERVING BAR - COUNTERTOP



## SERVING BAR - DROP-IN



## SERVING BAR - COUNTERTOP & DROP-IN



Jar Capacity	Shallow 2 qt 1.9 L	Deep 3½ qt 3.3 L	HOLDCOLD™ 2¼ qt 2.1 L
<b>COUNTERTOP</b>	<b>(2) JAR</b>	<b>(3) JAR</b>	<b>(4) JAR</b>
A-Height	19 ³⁄₈" 49.2 cm	19 ³⁄₈" 49.2 cm	19 ³⁄₈" 49.2 cm
B-Width	10 ⁷⁄₈" 27.6 cm	15 ½" 39.4 cm	20 ¹⁄₈" 51.1 cm
C-Depth	8 ¹³⁄₁₆" 22.4 cm	8 ¹³⁄₁₆" 22.4 cm	8 ¹³⁄₁₆" 22.4 cm
D-Spout (Depth)	3 ¼" 8.3 cm	3 ¼" 8.3 cm	3 ¼" 8.3 cm
<b>DROP-IN</b>	<b>(2) JAR</b>	<b>(3) JAR</b>	<b>(4) JAR</b>
E-Height	6 ⁷⁄₁₆" 16.4 cm	6 ⁷⁄₁₆" 16.4 cm	6 ⁷⁄₁₆" 16.4 cm
B-Width	10 ⁷⁄₈" 27.6 cm	15 ½" 39.4 cm	20 ¹⁄₈" 51.1 cm
C-Depth	8 ¹³⁄₁₆" 22.4 cm	8 ¹³⁄₁₆" 22.4 cm	8 ¹³⁄₁₆" 22.4 cm
F-Spout (Depth)	2 ¹³⁄₁₆" 7.1 cm	2 ¹³⁄₁₆" 7.1 cm	2 ¹³⁄₁₆" 7.1 cm
Cutout Size:			
SB-2 DI	11" x 8 ⁷⁄₈" (27.9 cm x 22.5 cm)		
SB-3 DI	15 ⁵⁄₈" x 8 ⁷⁄₈" (39.7 cm x 22.5 cm)		
SB-4 DI	20 ¼" x 8 ⁷⁄₈" (51.4 cm x 22.5 cm)		

FOB RICHFIELD, WISCONSIN 53076

## TWO YEAR WARRANTY

Server Products equipment is backed by a two-year limited warranty against defects in materials and workmanship. For a copy of our complete warranty statement, please refer to [server-products.com](http://server-products.com).

## CAD LIBRARY

Individual CAD images can be downloaded free of charge from our website. Our complete collection of CAD files, along with more than 100 other manufacturers, can be purchased through Kochman Consultants, Ltd. at [kclcad.com](http://kclcad.com).