



S E R V E R

SERVE BETTER™

# PUMPS: STAINLESS STEEL SLIM FOUNTAIN JAR PUMPS

Slim Models CP-200, FP-200V, FP-200, CP-F, FP, FP-V,  
FPV-DI & FP-DI

## WHAT DO YOU DISPENSE?

- ☽ THIN • fountain syrups • liqueur • hot or soy sauce
- THICK • ketchup • mustard • mayo • bbq sauce
- PARTICULATES • tartar sauce • Thousand Island



CP-200 Slim 85330 ●●  
FPV-200 Slim 85310 ☽Ⓢ



CP-F Slim 85340 ●●  
FP-V Slim 85300 ☽

## BID DESCRIPTION

Slim fountain jar components increase flavor options in your existing station. Pumps are the same as standard fountain jar models, but with lid to fit slim fountain jars. Convert existing pumps with a slim lid and jar (see chart).

Models that dispense from a slim fountain jar, 7½" (19 cm) deep (83181) have a 1 oz (30 mL) stroke; 10" (25.4 cm) jar (83182) models dispense 1¼ oz (37 mL). See chart for details.

Slanted rail models, operate at a 22° angle in your fountainette, utilize FPV-DI Slim or FP-DI Slim with taller discharge tubes for dropping in; countertop dispensing models are FP-200 Slim and FP Slim.

Each stainless steel pump is constructed with a cast valve body featuring captured balls to prevent loss. Portion size reduces in ⅛ ounce (3.7 mL) increments with supplied gauging collars. Pump knob can be colored and engraved to label contents; black is standard. Exclusive slim fountain jars sold separately.

## STANDARD FEATURES

- Stainless steel construction
- Easily convert your existing fountain jar pumps — purchase a pump lid & slim fountain jar
- 1 oz (30 mL) or 1¼ oz (37 mL) maximum portion; adjustable in ⅛ oz (3.7 mL) increments
- Colored, engraved knob is available upon request (contact customer service for options)

## ACCESSORY ITEMS

- Slim Plastic Fountain Jar, 7½" (19 cm) 83181
- Slim Plastic Fountain Jar, 10" (25.4 cm) 83182
- Slim Plastic Fountain Jar, Black, 7½" (19 cm) 83157
- Slim Plastic Fountain Jar, Black, 10" (25.4 cm) 83159
- Slim Plastic Fountain Jar, Orange, 7½" (19 cm) 83185
- Slim Plastic Fountain Jar, Orange, 10" (25.4 cm) 83162
- Lid Lock for use with Slim Jar & Pump 86316



**2** YEAR WARRANTY

☽ Slanted rail models, operate at a 22° angle, in your fountainette.

## TWO YEAR WARRANTY

Server Products equipment is backed by a two-year limited warranty against defects in materials and workmanship. For a copy of our complete warranty statement, please refer to [server-products.com](http://server-products.com).



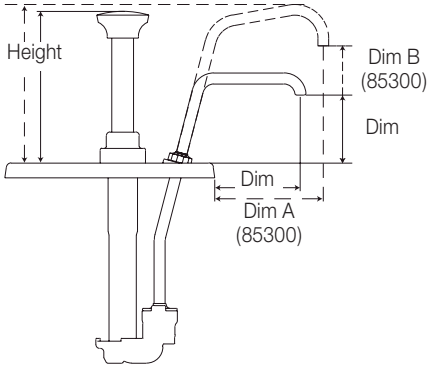
SERVER

SERVE BETTER™

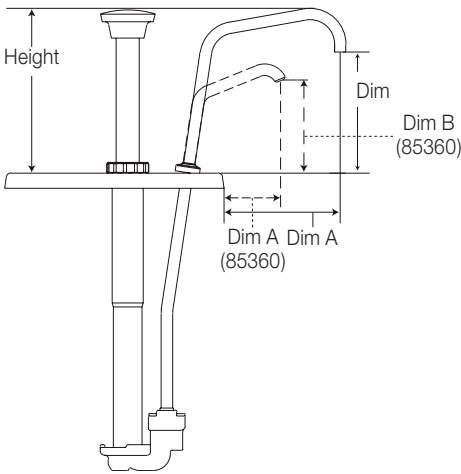
# PUMPS: STAINLESS STEEL SLIM FOUNTAIN JAR PUMPS

Slim Models CP-200, FP-200V, FP-200, CP-F, FP, FP-V,  
FPV-DI & FP-DI

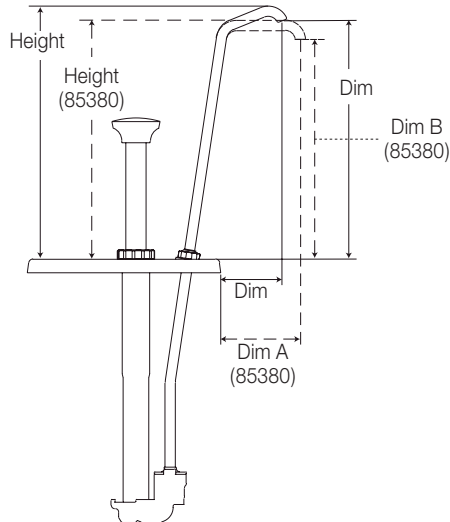
CP-200 Slim 85330, FP-200V Slim 85310 &  
FP-200 Slim 85350; SLANTED RAIL Ⓢ



CP-F Slim 85340, FP-V Slim 85300 &  
FP-Slim 85360; SLANTED RAIL Ⓢ



FPV-DI Slim 85380 &  
FP-DI Slim 85370; SLANTED RAIL Ⓢ



FOOD KEY				
<b>MODEL COMPLETE</b>	<b>CP-200 Slim 85330</b>	<b>FP-200V Slim 85310</b>	<b>CP-F Slim 85340</b>	<b>FP-V Slim 85300</b>
LID (ONLY)	83196	83188	83195	83187
Jar Used	Shallow 83181	Shallow 83181	Deep 83182	Deep 83182
Full Portion	1 oz 30 mL	1 oz 30 mL	1¼ oz 37 mL	1¼ oz 37 mL
Height	5 1/8" 13 cm	5 1/8" 13 cm	5 1/8" 13 cm	5 1/8" 13 cm
Dim. A	3 7/8" 9.8 cm	2 7/8" 7.3 cm	3 7/8" 9.8 cm	2 7/8" 7.3 cm
Dim. B	4 1/16" 10.3 cm	2 5/16" 5.9 cm	4 1/16" 10.3 cm	2 9/16" 6.5 cm
Weight	3 lb (1.4 kg)			
Cutout Size	2 13/16" x 7" (7.1 x 17.8 cm)			
Dimensions (above jar)	3 1/16" (7.8 cm) Wide x 7 1/8" (18.1 cm) Deep			
Capacity	Fountain jar, 10" (15.2 cm) deep holds 3½ qt (3.3 L); 7½" (19 cm) jar holds 2 qt (1.9 L).			

FOOD KEY				
<b>MODEL COMPLETE</b>	<b>FP-200 Slim Ⓢ 85350</b>	<b>FP Slim Ⓢ 85360</b>	<b>FP-DI Slim Ⓢ 85370</b>	<b>FPV-DI Slim Ⓢ 85380</b>
LID (ONLY)	83192	83191	83193	83194
Jar Used	Shallow 83181	Deep 83182	Deep 83182	Deep 83182
Full Portion	1 oz 30 mL	1¼ oz 37 mL	1¼ oz 37 mL	1¼ oz 37 mL
Height	5 1/8" 13 cm	5 1/8" 13 cm	5 1/8" 13 cm	5 1/8" 13 cm
Dim. A	2 1/8" 5.4 cm	1 7/8" 4.8 cm	2 1/4" 5.7 cm	3" 7.6 cm
Dim. B	2 7/8" 7.3 cm	3" 7.6 cm	8 3/4" 22.2 cm	8 1/2" 21.6 cm
Weight	3 lb (1.4 kg)			
Cutout Size	2 13/16" x 7" (7.1 x 17.8 cm)			
Dimensions (above jar)	3 1/16" (7.8 cm) Wide x 7 1/8" (18.1 cm) Deep			
Capacity	Fountain jar, 10" (15.2 cm) deep holds 3½ qt (3.3 L); 7½" (19 cm) jar holds 2 qt (1.9 L).			

FOB RICHFIELD, WISCONSIN 53076



Server Products, Inc. | PO Box 98 | Richfield WI 53076 | 800.558.8722

262.628.5600 | F: 262.628.5110 | spsales@server-products.com | server-products.com

Server Products, Inc. reserves the right to modify specifications without obligation. Printed in USA

4.2013 Stock 02009