



S E R V E R

SERVE BETTER™

PUMPS: STAINLESS STEEL 2/3-WIDTH FOUNTAIN JAR PUMPS

Models CP-200 2/3, FP-200V 2/3, FP-200 2/3, CP-F 2/3, FP 2/3,
FP-V 2/3, FPV-DI 2/3 & FP-DI 2/3

WHAT DO YOU DISPENSE?

- ∅ THIN • fountain syrups • liqueur • hot or soy sauce
- THICK • ketchup • mustard • mayo • bbq sauce
- PARTICULATES • tartar sauce • Thousand Island



CP-200 2/3 85330 ●●
FPV-200 2/3 85310 ∅Ⓢ



CP-F 2/3 85340 ●●
FP-V 2/3 85300 ∅

BID DESCRIPTION

New 2/3-width fountain jar components increase flavor options in your existing station. Pumps are the same as standard fountain jar models, but with lid to fit new 2/3-width fountain jar. Convert existing pumps with a new 2/3-width lid and jar (see chart).

Models that dispense from a 2/3-width fountain jar, 7 1/2" (19 cm) deep (83181) have a 1 oz (30 mL) stroke; 10" (25.4 cm) jar (83182) models dispense 1 1/4 oz (37 mL). See chart for details.

Slanted rail models, operate at a 22° angle in your fountainette, utilize FPV-DI 2/3 or FP-DI 2/3 with taller discharge tubes for dropping in; countertop dispensing models are FP-200 2/3 and FP 2/3.

Each stainless steel pump is constructed with a cast valve body featuring captured balls to prevent loss. Portion size reduces in 1/8 ounce (3.7 mL) increments with supplied gauging collars. Pump knob can be colored and engraved to label contents; black is standard. Exclusive 2/3-width fountain jar sold separately.

STANDARD FEATURES

- Stainless steel construction
- Easily convert your existing fountain jar pumps — purchase a pump lid & 2/3-width fountain jar
- 1 oz (30 mL) or 1 1/4 oz (37 mL) maximum portion; adjustable in 1/8 oz (3.7 mL) increments
- Colored, engraved knob is available upon request (contact customer service for options)

ACCESSORY ITEMS

- 2/3-Width Plastic Fountain Jar, 7 1/2" (19 cm) 83181
- 2/3-Width Plastic Fountain Jar, 10" (25.4 cm) 83182
- 2/3-Width Plastic Fountain Jar, Black, 7 1/2" (19 cm) 83157
- 2/3-Width Plastic Fountain Jar, Black, 10" (25.4 cm) 83159
- 2/3-Width Plastic Fountain Jar, Orange, 7 1/2" (19 cm) 83185
- 2/3-Width Plastic Fountain Jar, Orange, 10" (25.4 cm) 83162
- Lid Lock for use with 2/3-Width Jar & Pump 86316



2 YEAR
WARRANTY

Ⓢ Slanted rail models, operate at a 22° angle, in your fountainette.

TWO YEAR WARRANTY

Server Products equipment is backed by a two-year limited warranty against defects in materials and workmanship. For a copy of our complete warranty statement, please refer to server-products.com.



SERVER

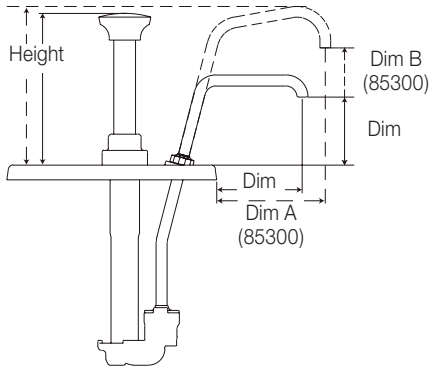
SERVE BETTER™

PUMPS: STAINLESS STEEL

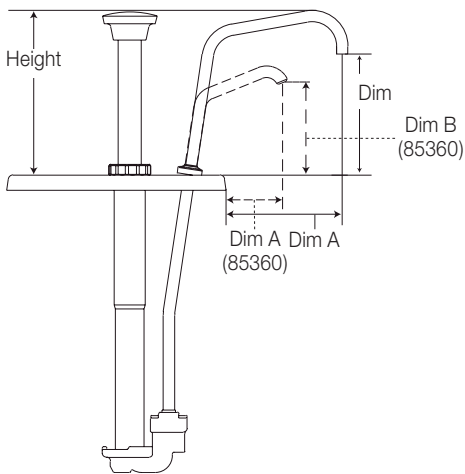
2/3-WIDTH FOUNTAIN JAR PUMPS

Models CP-200 2/3, FP-200V 2/3, FP-200 2/3, CP-F 2/3, FP 2/3, FP-V 2/3, FPV-DI 2/3 & FP-DI 2/3

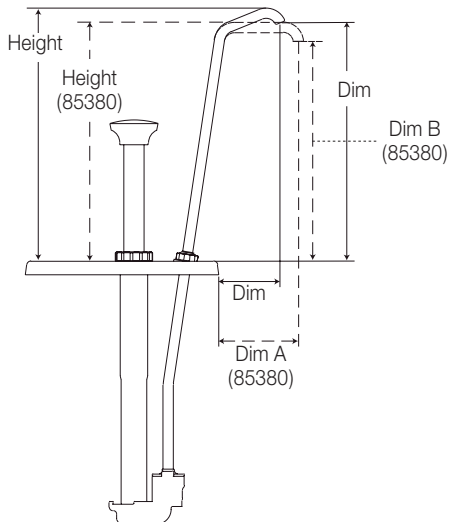
CP-200^{2/3} 85330, FP-200V^{2/3} 85310 & FP-200^{2/3} 85350; SLANTED RAIL®



CP-F^{2/3} 85340, FP-V^{2/3} 85300 & FP-^{2/3} 85360; SLANTED RAIL®



FPV-DI^{2/3} 85380 & FP-DI^{2/3} 85370; SLANTED RAIL®



FOOD KEY				
MODEL COMPLETE	CP-200 2/3 85330	FP-200V 2/3 85310	CP-F 2/3 85340	FP-V 2/3 85300
LID (ONLY)	83196	83188	83195	83187
Jar Used	Shallow 83181	Shallow 83181	Deep 83182	Deep 83182
Full Portion	1 oz 30 mL	1 oz 30 mL	1¼ oz 37 mL	1¼ oz 37 mL
Height	5 1/8" 13 cm	5 1/8" 13 cm	5 1/8" 13 cm	5 1/8" 13 cm
Dim. A	3 7/8" 9.8 cm	2 7/8" 7.3 cm	3 7/8" 9.8 cm	2 7/8" 7.3 cm
Dim. B	4 1/16" 10.3 cm	2 5/16" 5.9 cm	4 1/16" 10.3 cm	2 9/16" 6.5 cm
Weight	3 lb (1.4 kg)			
Cutout Size	2 13/16" x 7" (7.1 x 17.8 cm)			
Dimensions (above jar)	3 1/16" (7.8 cm) Wide x 7 1/8" (18.1 cm) Deep			
Capacity	Fountain jar, 10" (15.2 cm) deep holds 3½ qt (3.3 L); 7½" (19 cm) jar holds 2 qt (1.9 L).			

FOOD KEY				
MODEL COMPLETE	FP-200 2/3® 85350	FP 2/3® 85360	FP-DI 2/3® 85370	FPV-DI 2/3® 85380
LID (ONLY)	83192	83191	83193	83194
Jar Used	Shallow 83181	Deep 83182	Deep 83182	Deep 83182
Full Portion	1 oz 30 mL	1¼ oz 37 mL	1¼ oz 37 mL	1¼ oz 37 mL
Height	5 1/8" 13 cm	5 1/8" 13 cm	5 1/8" 13 cm	5 1/8" 13 cm
Dim. A	2 1/8" 5.4 cm	1 7/8" 4.8 cm	2 1/4" 5.7 cm	3" 7.6 cm
Dim. B	2 7/8" 7.3 cm	3" 7.6 cm	8 3/4" 22.2 cm	8 1/2" 21.6 cm
Weight	3 lb (1.4 kg)			
Cutout Size	2 13/16" x 7" (7.1 x 17.8 cm)			
Dimensions (above jar)	3 1/16" (7.8 cm) Wide x 7 1/8" (18.1 cm) Deep			
Capacity	Fountain jar, 10" (15.2 cm) deep holds 3½ qt (3.3 L); 7½" (19 cm) jar holds 2 qt (1.9 L).			

FOB RICHFIELD, WISCONSIN 53076



Server Products, Inc. | PO Box 98 | Richfield WI 53076 | 800.558.8722

262.628.5600 | F: 262.628.5110 | spsales@server-products.com | server-products.com

Server Products, Inc. reserves the right to modify specifications without obligation. Printed in USA

3.2013 Stock 02009