

# COLD FOOD HOLDERS THERMOELECTRIC CHILLERS, 2-QT (1.9L)

Models CC & ECC



**CC 86070  
COUNTERTOP CHILLER**



**ECC 86063  
DAIRY CHILLER**

## BID DESCRIPTION

Both the Countertop and Dairy Chiller are designed with thermoelectric technology to cool up to 2 quarts (1.9 L) of condiments, garnishes or dairy (ECC). Both are constructed of brushed stainless steel with a black thermoset plastic rim and clear plastic lid.

The solid-state cooling method provides quiet operation and holds product below 41° Fahrenheit (5° C) consistently. The anodized aluminum serving vessel is included. An on/off rocker switch controls the cooling mechanism.

Used in conjunction with an auto-frothing attachment, the Dairy Chiller, ECC accepts a hose directly from an espresso machine into a  $\frac{5}{16}$ ths (7.9 mm) hole in the lid.

## STANDARD FEATURES

- Thermoelectric operation assures quiet operation and maximum energy efficiency
- Removable anodized aluminum serving vessel for easy cleanup
- Holds consistently below 41°F (5°C) — to keep your product fresh and cold
- Durable stainless steel and plastic construction
- Clear lid permits monitoring levels without opening
- 7 foot (2.1 m) power cord
- Two quart (1.9 L) capacity

## TWO YEAR WARRANTY

Server Products equipment is backed by a two-year limited warranty against defects in materials and workmanship. For a copy of our complete warranty statement, please refer to [server-products.com](http://server-products.com).

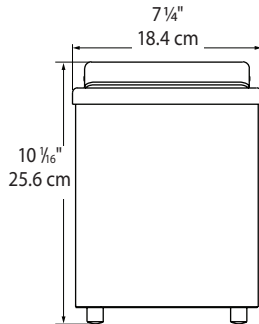
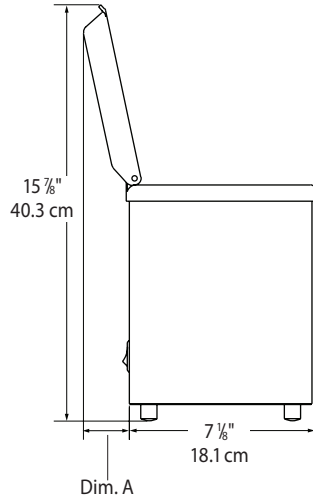


ALSO AVAILABLE FOR EXPORT

# COLD FOOD HOLDERS THERMOELECTRIC CHILLERS, 2-QT (1.9L)

Models CC & ECC

## CHILLERS



MODEL	CC 86070
Capacity	2 qts (1.9 L)
Height	10 1/16" 25.6 cm
Width	7 1/4" 18.4 cm
Depth	7 1/8" 18.1 cm
Dim. A	1 3/4" 4.5 cm
Height (Lid Open)	15 7/8" 40.3 cm
Electrical	Power supply converts 120V 1 Amp AC to 12V DC power with 7' (2.1 m) power cord NEMA 5-1 5P, 15A, 125V PLUG
Weight	12 lb 5.4 kg
MODEL	ECC 86063
Construction	Same as above except: A 5/16ths (7.9 mm) hole in the lid accepts a hose directly from an espresso machine.

FOB RICHFIELD, WISCONSIN 53076

## CAD LIBRARY

Individual CAD images can be downloaded free of charge from our website. Our complete collection of CAD files, along with more than 100 other manufacturers, can be purchased through Kochman Consultants, Ltd. at [kclcad.com](http://kclcad.com).