



# COLD FOOD HOLDERS CHILLED FOOD DISPENSER

Model CSP

## WHAT DO YOU DISPENSE?

- THIN • fountain syrups • liqueur • hot or soy sauce
- THICK • ketchup • mustard • mayo • bbq sauce
- PARTICULATES • tartar sauce • Thousand Island



- CSP 94050 2 oz (60 mL) - shown
- CSP 94060 1 oz (30 mL)



ALSO AVAILABLE FOR EXPORT

## TWO YEAR WARRANTY

Server Products equipment is backed by a two-year limited warranty against defects in materials and workmanship. For a copy of our complete warranty statement, please refer to [server-products.com](http://server-products.com).

## BID DESCRIPTION

The Chilled Food Dispenser utilizes thermoelectric technology to chill a 2 quart (1.9 L) food vessel. It features an integrated discharge tube chiller block, which ensures food is kept at a safe serving temperature for the entire holding and serving process.

The base is constructed of brushed stainless steel with an insulated plastic lid and includes a stainless steel pump with a cast valve body. An anodized aluminum serving vessel, also included, is removable for cleaning.

Thermoelectric (solid-state) cooling provides quiet operation and is extremely energy efficient. In operation, the Chilled Food Dispenser holds product consistently below 41°F (5°C) in up to 86°F (30°C) ambient temperature. An on/off rocker switch controls the cooling mechanism.

## STANDARD FEATURES

- NSF listed for potentially hazardous food including dairy; NSF Standard 18 & 20
- Discharge tube chiller block ensures food stays at a safe serving temperature throughout the serving process
- Model with 1 oz (30 mL) serving is adjustable in 1/8 oz (3.7 mL) increments; also available with larger 2 oz (60 mL) maximum portion
- Thermoelectric operation assures quiet operation and maximum energy efficiency
- Specialized discharge valve keeps thin product from splashing
- Holds consistently below 41°F (5°C) to keep your product fresh and cold
- Durable stainless steel and plastic construction
- Removable anodized aluminum 2 qt (1.9 L) serving vessel
- 7 foot (2.1 m) power cord

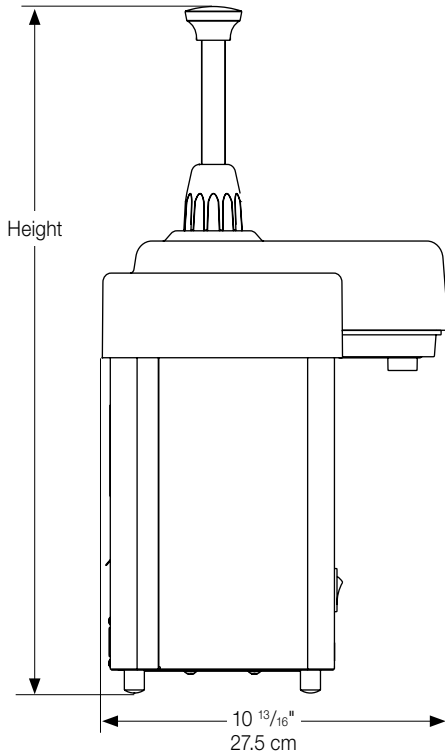
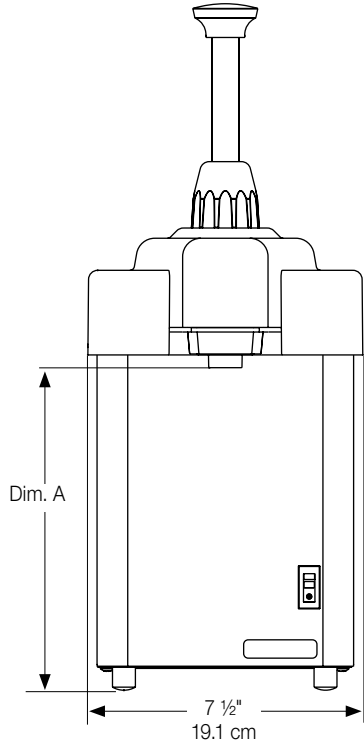
## ACCESSORY ITEMS

- 1 oz (30 mL) Pump Only 94040
- 2 oz (60 mL) Pump Only 94140

# COLD FOOD HOLDERS CHILLED FOOD DISPENSER

Model CSP

CSP 94050 & 94060



MODELS ☺☹☹	CSP 94050 2 oz (60 mL)	CSP 94060 1 oz (30 mL)
Capacity	2 qt 1.9 L	2 qt 1.9 L
Height	18 23/32" 47.5 cm	18 27/32" 47.9 cm
Width	7 1/2" 19.1 cm	7 1/2" 19.1 cm
Depth	10 13/16" 27.5 cm	10 13/16" 27.5 cm
Dim. A	8 13/16" 22.4 cm	8 13/16" 22.4 cm
Weight	3 lb 1.4 kg	3 lb 1.4 kg
Electrical	Power supply converts 120V 1 Amp AC to 12V DC power with 7' (2.1 m) power cord NEMA 5-1 5P, 15A, 125V PLUG	

FOB RICHFIELD, WISCONSIN 53076

## CAD LIBRARY

Individual CAD images can be downloaded free of charge from our website. Our complete collection of CAD files, along with more than 100 other manufacturers, can be purchased through Kochman Consultants, Ltd. at [kclcad.com](http://kclcad.com).