



# DIRECT STEAM COUNTER TILTING KETTLE

Job \_\_\_\_\_  
Item# \_\_\_\_\_



DC-6 shown.

### SPECIFICATIONS:

Shall be a Model \_\_\_\_\_, direct connected, steam, counter top tilting kettle. A double wall kettle interior shall form a steam jacket around the lower 2/3 of the kettle. The bottom of the kettle shall be of hemispheric design for superior heat transfer.

The tubular stainless steel mounting legs shall have the tilt bearings, steam supply and condensate return pipes completely concealed within the leg members and the right leg will be fitted with a steam control valve. A single support leg with nylon foot shall support the kettle in the upright position. The sealed stainless steel tilt mechanism bearings shall permit the kettle to tilt forward past 90° for complete emptying. A removable operating handle with heat-proof knob shall be mounted on the left or right. Construction shall be all welded satin finish stainless steel, type 304. Standard features include type 316 stainless steel liner for use with high acid content products. The kettle shall be NSF Certified, ASME code stamped and National Board registered.

MODEL	CAPACITY	
	KDCT-6	6 Gallon
KDCT-10	10 Gallon	38 Liter
KDCT-12	12 Gallon	45 Liter
KDCT-20	20 Gallon	76 Liter

### OPERATION SHALL BE BY:

Direct steam at a minimum of 5 PSI (34 kPa) and a maximum of 50 PSI (345 kPa).

### STANDARD FEATURES:

- Reversible tilt handle
- Type 316 stainless steel liner
- Steam control valve

### OPTIONAL ITEMS AT EXTRA COST:

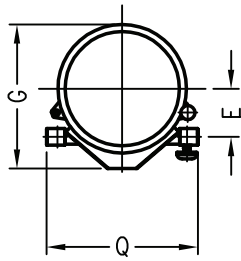
- Etched gallon markings (GM-)
- Etched liter markings (LM-)
- 24" wide floor stand with sliding shelf (KEDC-24)
- 36" wide floor stand with sliding shelf (KEDC-36)
- 30" wide floor stand with sliding drain pan (KEDC-30SD)
- Correctional Package

### ACCESSORIES:

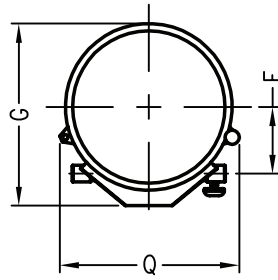
- One piece lift off stainless steel cover (C-)
- Stainless steel perforated basket (SSB-)
- Pour lip strainer (TKS-)
- Steam control assembly (STA-3) consisting of line strainer, steam trap and safety valve
- Contoured measuring strip (CMS-)
- Pressure reducing valve (PRV)



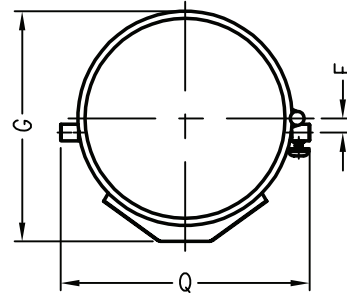
Models:  KDCT-6  KDCT-10  KDCT-12  KDCT-20



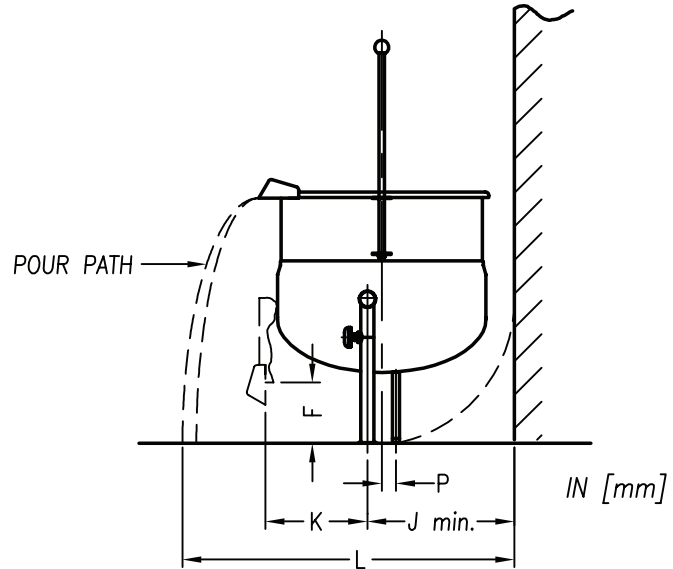
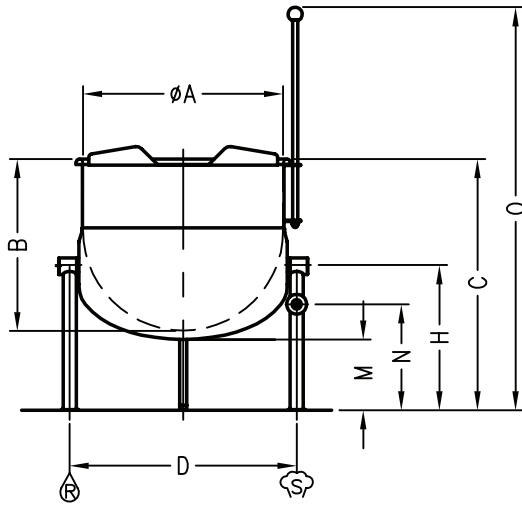
DC-6



DC-10, DC-12



DC-20



**SERVICE CONNECTIONS**

- STEAM SUPPLY: 1/2" IPS (13 mm) 5-45 PSI (34-310 kPa) [Pressure reducing valve is required if incoming pressure exceeds 50 PSI (345 kPa)]

- CONDENSATE RETURN: 1/2" IPS (13 mm)

MODEL	SHIPPING WEIGHT	MINIMUM CLEARANCE	
		SIDES	BACK
KDCT-6	44 lbs. [20 kg]	1" [25mm]	3" [76mm]
KDCT-10	61 lbs. [28 kg]		
KDCT-12	70 lbs. [32 kg]		
KDCT-20	95 lbs. [43 kg]		

**DIMENSIONS**

MODEL	CAPACITY	UNITS	A	B	C	D	E	F	G	H	J	K	L	M	N	O	P	Q
KDCT-6	6 gallons (23 liters)	in (mm)	12" (305)	14.5" (368)	19.5" (495)	13.75" (349)	5" (127)	7.5" (191)	15.12" (384)	8.5" (216)	12.25" (311)	10.38" (264)	30.25" (768)	4" (102)	4.38" (111)	34.12" (867)	0" 0 mm	16" (406)
KDCT-10	10 gallons (38 liters)	in (mm)	16" (406)	15" (381)	18.5" (470)	13.75" (349)	7" (178)	7.75" (197)	19.12" (486)	9" (229)	16.25" (413)	8.88" (225)	32.25" (819)	2.38" (60)	4.88" (124)	33.12" (841)	0" 0 mm	19.25" (489)
KDCT-12	12 gallons (46 liters)	in (mm)	16" (406)	17" (432)	20.5" (521)	13.75" (349)	7" (178)	7.75" (197)	19.12" (486)	9" (229)	16.25" (413)	10.88" (276)	39.5" (1003)	2.38" (60)	4.88" (124)	35.12" (892)	0" 0 mm	19.25" (489)
KDCT-20	20 gallons (76 liters)	in (mm)	21" (533)	18" (457)	26.5" (673)	23.5" (597)	1.5" (38)	6.25" (159)	24.12" (613)	15.25" (387)	15.75" (400)	10.5" (267)	40.5" (1029)	7.5" (191)	11.12" (283)	42.38" (1076)	1.5" (38)	26" (660)

**INTENDED FOR COMMERCIAL USE ONLY.  
NOT FOR HOUSEHOLD USE.**



1100 Old Honeycutt Road, Fuquay-Varina, NC 27526  
(919) 762-1000 www.southbendnc.com