



DIRECT STEAM TRI-LEG KETTLE



MODEL	CAPACITY	
	GALLON	LITER
KDLS-20	20 Gallon	76 Liter
KDLS-30	30 Gallon	114 Liter
KDLS-40	40 Gallon	152 Liter
KDLS-60	60 Gallon	227 Liter
KDLS-80	80 Gallon	303 Liter
KDLS-100	100 Gallon	379 Liter

OPERATION SHALL BE BY:

Direct steam at a minimum of 5 PSI (34 kPa) and a maximum of 35 PSI (241 kPa).

OPTIONAL ITEMS AT EXTRA COST:

- Type 316 stainless steel liner for high acid content cooking for 60, 80 and 100 gallon models
- 50 PSI (345kPa) high pressure operation for higher cooking temperature for 20, 30, 40 and 60 gallon models
- 3" (76 mm) draw-off valve (TVT-3)
- 2" (50 mm) dairy valve (DDO-2T)
- 3" (76 mm) dairy valve (DDO-3T)
- Spring assist hinged cover for 20, 30 or 40 gallon models (CH-)
- Etched gallon markings (GM-)
- Etched litre markings (LM-)
- Single pantry faucet with swing spout (SF-18)
- Double pantry faucet with swing spout (DF-18)
- Two piece hinged stainless steel cover (2PHC-)

ACCESSORIES:

- Triple basket assembly (TBA-)
- Steam trap assembly consisting of steam trap, steam control valve, check valve and line strainer (STA-2)
- Perforated strainer for draw-off valve (TPS-)
- Solid stainless steel disc for draw-off valve (TSS-)
- Strainer hook (SH)
- Graduated measuring strip (CMS-)

SPECIFICATIONS:

Shall be a Southbend Model _____, direct steam connected tri-leg kettle. A double wall kettle interior shall form a steam jacket around the lower 2/3 of the kettle. The bottom of the kettle shall be of hemispherical design for superior heat circulation.

Unit shall be mounted on stainless steel tubular tri-legs. Each leg shall be fitted with a 4 hole, adjustable, flanged foot for securing to the floor.

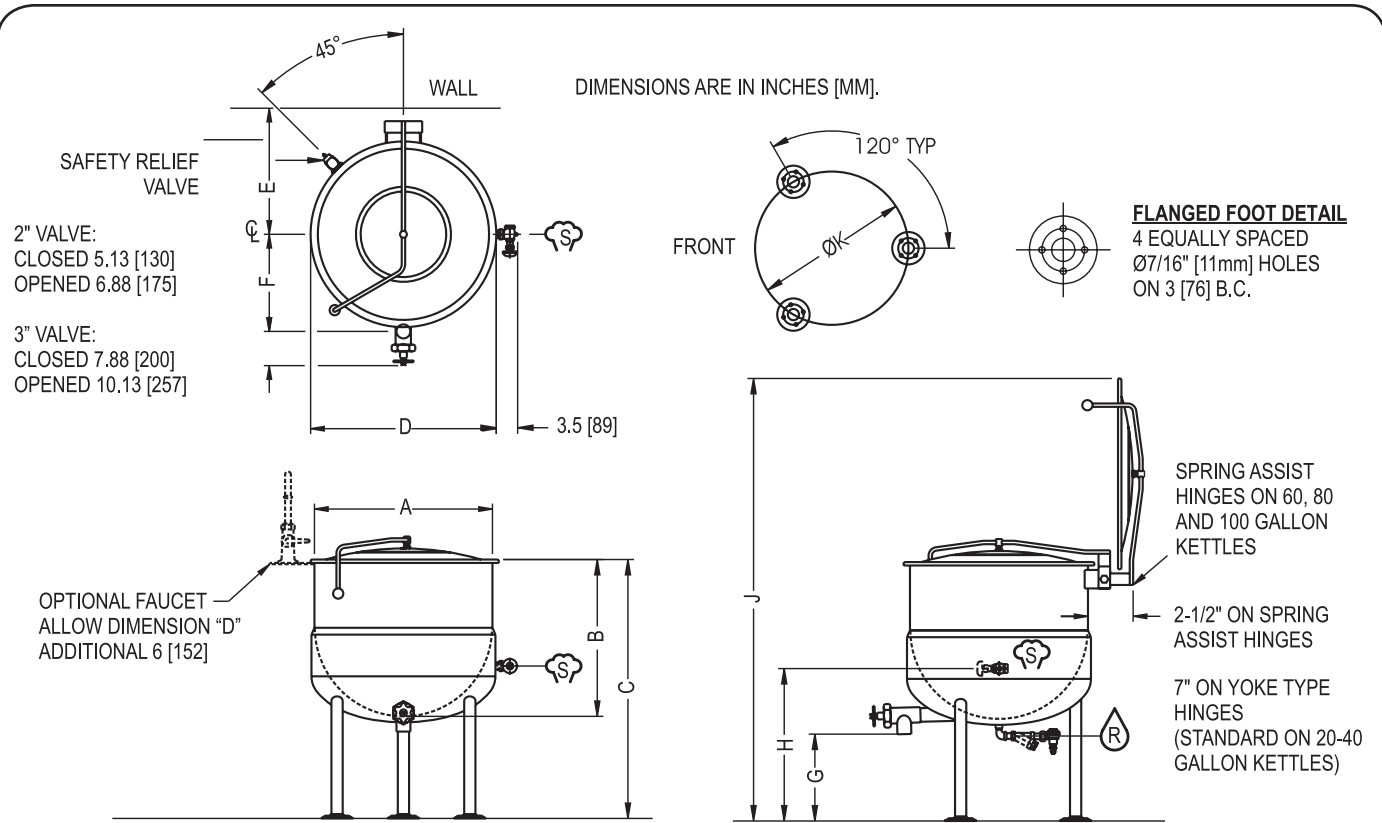
Construction shall be all welded satin finish stainless steel, type 304. The liner on 20, 30 and 40 gallon models shall be standard 316 for high acid content cooking.

Convenience features shall include 2" (50mm) sanitary draw-off valve, 20, 30 and 40 gallon models are supplied with a hinged counterbalanced stainless steel domed cover. The 60, 80 and 100 gallon models are supplied with a spring assist hinged stainless steel domed cover.

Job _____
Item# _____



Models: □KDLS-20 □KDLS-30 □KDLS-40 □KDLS-60 □KDLS-80 □KDLS-100



SERVICE CONNECTIONS

- STEAM SUPPLY: 3/4" IPS (19 mm)
- CONDENSATE RETURN: 1/2" IPS (13 mm)

DIMENSIONS

MODEL	CAPACITY	UNITS	A	B	C	D	E	F(2")	F(3")	G(2")	G(3")	H	J	K
KDLS-20	20 gallons (76 liters)	in (mm)	21" (533)	18" (457)	37" (940)	22.75" (578)	16" (406)	12.75" (324)	14" (356)	17" (432)	16.5" (419)	25.88" (657)	59.75" (1518)	17.5" (445)
KDLS-30	30 gallons (114 liters)	in (mm)	24" (610)	20" (508)	37" (940)	25.88" (657)	17.5" (445)	13.5" (343)	15.25" (387)	15" (381)	14.5" (368)	26.88" (670)	62.88" (1597)	20.5" (521)
KDLS-40	40 gallons (152 liters)	in (mm)	26" (660)	22.5" (572)	37" (940)	27.88" (708)	18.5" (470)	14.25" (362)	16.5" (419)	12.5" (318)	12" (305)	23.88" (606)	64.88" (1648)	22.5" (572)
KDLS-60	60 gallons (227 liters)	in (mm)	29.5" (749)	26" (660)	40.5" (1029)	31.38" (822)	17.75" (451)	15.5" (394)	17.25" (438)	12.5" (318)	12" (305)	24.69" (627)	72.88" (1851)	25.75" (654)
KDLS-80	80 gallons (303 liters)	in (mm)	33" (838)	28" (711)	40.5" (1029)	34.75" (883)	19.5" (495)	17.5" (445)	19.25" (489)	10.5" (267)	10" (254)	23.88" (606)	75.25" (1911)	29.25" (743)
KDLS-100	100 gallons (379 liters)	in (mm)	35.5" (902)	30" (762)	44.5" (1130)	37.25" (946)	20.75" (527)	17" (432)	19.25" (489)	12.5" (318)	12" (305)	26.63" (676)	81.75" (2076)	31.75" (806)

**INTENDED FOR COMMERCIAL USE ONLY.
NOT FOR HOUSEHOLD USE.**



1100 Old Honeycutt Road, Fuquay-Varina, NC 27526
(919) 762-1000 www.southbendnc.com