



DIRECT STEAM TRI-LEG TILTING KETTLE

Job _____
Item# _____



MODEL	CAPACITY	
KDLT-20	20 Gallon	76 Liter
KDLT-30	30 Gallon	114 Liter
KDLT-40	40 Gallon	151 Liter
KDLT-60	60 Gallon	227 Liter
KDLT-80	80 Gallon	303 Liter
KDLT-100	100 Gallon	379 Liter

SPECIFICATIONS:

Shall be a Southbend Model _____, direct steam connected tri-leg tilting kettle. A double wall kettle interior shall form a steam jacket around the lower 2/3 of the kettle. The bottom of the kettle shall be of hemispherical design for superior heat circulation.

The tri-leg mounting frame of stainless steel pipe shall support the kettle and tilt console, conceal the steam piping and house the steam control valve and tilt mechanism. Each leg shall be fitted with a 4 hole adjustable flanged foot for securing to the floor. The tilt mechanism shall permit the kettle to tilt forward a full 90° for complete emptying. The tilting mechanism shall be self locking for positive stop action.

Construction shall be all welded #4 finish stainless steel type 304. The interior liner on 20, 30 and 40 gallon models shall be standard 316 for high acid content cooking.

OPERATION SHALL BE BY:

Direct steam at a minimum of 5 PSI (34kPa) and a maximum of 35 PSI (241kPa).

OPTIONAL ITEMS AT EXTRA COST:

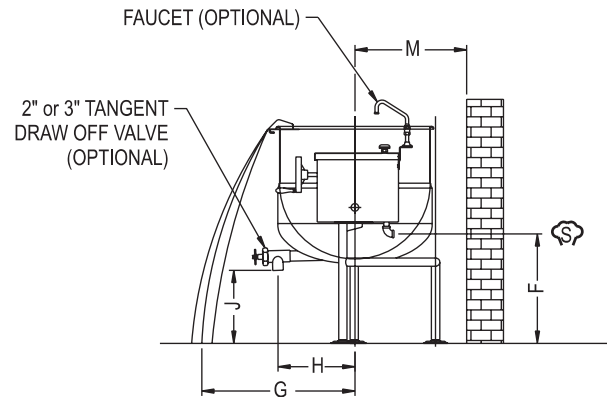
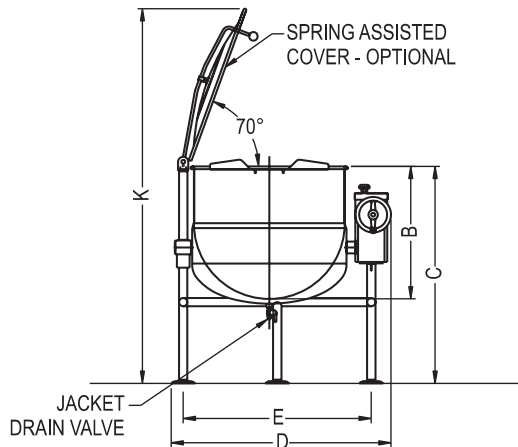
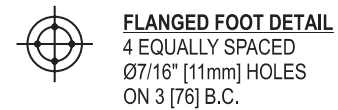
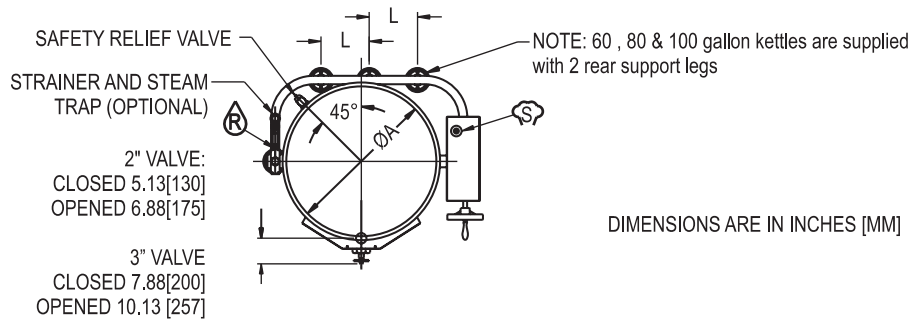
- Type 316 stainless steel liner for high acid content cooking for 60, 80 and 100 gallon models
- 50 PSI (345kPa) high pressure operation for higher cooking temperature
- 1-1/2" (38 mm) draw-off valve (TVT-1)
- 2" (50 mm) draw off-valve (TVT-2)
- 3" (76 mm) draw off-valve (TVT-3)
- 2" (50 mm) dairy valve (DDO-2T)
- 3" (76 mm) dairy valve (DDO-3T)
- Spring assist hinged cover for 20, 30 or 40 gallon models (CH-)
- Etched gallon markings (GM-)
- Etched litre markings(LM-)

ACCESSORIES:

- One piece lift off cover (C-)
- Triple basket assembly (TBA-)
- Steam trap assembly consisting of steam trap, steam control valve, check valve and line strainer (STA-1)
- Single pantry faucet with swing spout (SF-18)
- Double pantry faucet with swing spout (DF-18)
- Perforated strainer for draw-off valve (TPS-)
- Solid stainless steel disc for draw-off valve (TSS-)
- Graduated measuring strip (CMS-)
- Strainer hook (SH)
- Pan carrier (PC-4)



Models: KDLT-20 KDLT-30 KDLT-40 KDLT-60 KDLT-80 KDLT-100



SERVICE CONNECTIONS

- STEAM SUPPLY: 3/4" IPS (19 mm)
- CONDENSATE RETURN: 1/2" IPS (13 mm)

DIMENSIONS

MODEL	CAPACITY	UNITS	A	B	C	D	E	F	G	H(2")	H(3")	J(2")	J(3")	K	L	M
KDLS-20	20 gallons (76 liters)	in (mm)	21" (533)	18" (460)	37" (940)	34.75" (885)	28.5" (724)	22" (559)	25.63" (651)	12" (305)	13.25" (337)	17" (432)	16.5" (419)	59.5" (1512)	N/A	15.38" (391)
KDLS-30	30 gallons (114 liters)	in (mm)	24" (610)	20" (510)	37" (940)	37.75" (960)	31.5" (800)	20.75" (527)	27.13" (689)	12.5" (317)	14.25" (362)	15" (381)	14.5" (368)	62.5" (1588)	N/A	15.38" (391)
KDLS-40	40 gallons (152 liters)	in (mm)	26" (660)	22.5" (570)	37" (940)	39.75" (1010)	33.5" (850)	20.25" (514)	28.63" (727)	13" (330)	15.25" (387)	12.5" (318)	12" (305)	64" (1626)	N/A	16.38" (416)
KDLS-60	60 gallons (227 liters)	in (mm)	29.5" (750)	26" (660)	40.5" (1029)	43.25" (1100)	37" (940)	21.5" (546)	30.13" (765)	13.75" (350)	15.5" (394)	14.5" (368)	14" (356)	74" (1879)	9.5" (241)	18.38" (467)
KDLS-80	80 gallons (303 liters)	in (mm)	33" (840)	28" (710)	42.5" (1080)	46.75" (1085)	40.5" (1030)	20" (508)	32.63" (828)	14.5" (368)	16.25" (413)	12.5" (318)	12" (305)	76" (1930)	11" (279)	19.88" (505)
KDLS-100	100 gallons (379 liters)	in (mm)	35.5" (902)	30" (762)	42.5" (1080)	49.25" (1251)	43" (1092)	27" (686)	39.25" (997)	18" (457)	20.25" (514)	10.5" (267)	10" (254)	79" (2007)	12.5" (318)	21.5" (546)

**INTENDED FOR COMMERCIAL USE ONLY.
NOT FOR HOUSEHOLD USE.**



1100 Old Honeycutt Road, Fuquay-Varina, NC 27526
(919) 762-1000 www.southbendnc.com