



ELECTRIC PEDESTAL KETTLE



SPECIFICATIONS:

Shall be a Southbend Model _____, self-generating, electric, pedestal kettle, ASME Code stamped, National Board Registered, c-CSA-us and NSF certified. A double wall kettle interior shall form a steam jacket around the lower 2/3 of the kettle. The jacket enclosure shall contain distilled water which is factory sealed. The bottom of the kettle shall be of hemispherical design for superior heat circulation.

Pedestal base shall have four 7/16 of an inch holes evenly spaced for securing unit to floor.

Construction shall be all welded #4 finish stainless steel, type 304. The interior liner on 20, 30 and 40 gallon models shall be standard 316 for high acid content cooking. The controls shall be integrally mounted and shall include a power switch, thermostat, pilot light, low water light, vacuum/pressure gauge, safety relief valve and low water shut off.

The kettle shall be standard with removable elements. Convenience features shall include a 2" (50 mm) sanitary drawoff valve hinged counterbalanced, stainless steel domed cover for 20, 30 and 40 gallon models and spring assist hinged stainless steel domed cover for 60, 80 and 100 gallon models.

The kettle shall operate in a temperature range of 165°F to 285°F (74°C to 140°C) at a maximum pressure of 50 psi (345 kPa).

MODEL	CAPACITY	
KEPS-20	20 Gallon	76 Liter
KEPS-30	30 Gallon	114 Liter
KEPS-40	40 Gallon	151 Liter
KEPS-60	60 Gallon	227 Liter
KEPS-80	80 Gallon	303 Liter
KEPS-100	100 Gallon	379 Liter

OPERATION SHALL BE BY:

Electrically, self-generating closed steam system operating at 50 psi equipped for operation on:

- 208 VAC, 1 Phase, 50/60 Hz. (20 and 30 gallon only)
- 208 VAC, 3 Phase, 50/60 Hz.
- 240 VAC, 1 Phase, 50/60 Hz. (20 and 30 gallon only)
- 240 VAC, 3 Phase, 50/60 Hz.

OPTIONAL ITEMS AT EXTRA COST:

- Type 316 stainless steel liner (60, 80 and 100 gallon models)
- 3" (76 mm) draw-off valve (TVT-3)
- 2" (50 mm) dairy valve (DDO-2T)
- 3" (76 mm) dairy valve (DDO-3T)
- 24 kw on 40, 60, 80 gallon
- 33 kw on 60, 80, 100 gallon
- 220 VAC, 1 Phase, 50/60 Hz (20 and 30 gallon only)
- 220 VAC, 3 Phase, 50/60 Hz.
- 380 VAC, 3 Phase, 50/60 Hz.
- 415 VAC, 3 Phase, 50/60 Hz.
- 480 VAC, 3 Phase, 50/60 Hz.
- 600 VAC, 3 Phase, 50/60 Hz.
- 380/220 VAC, 3 Phase, 50/60 Hz. 4 wire
- 415/240 VAC, 3 Phase, 50/60 Hz. 4 wire
- Spring assist hinged cover for 20, 30 or 40 gallon models (CH-)
- Two piece hinged stainless steel cover (2PHC-)
- Etched gallon markings (GM-)
- Etched litre markings(LM-)
- Correctional package

ACCESSORIES:

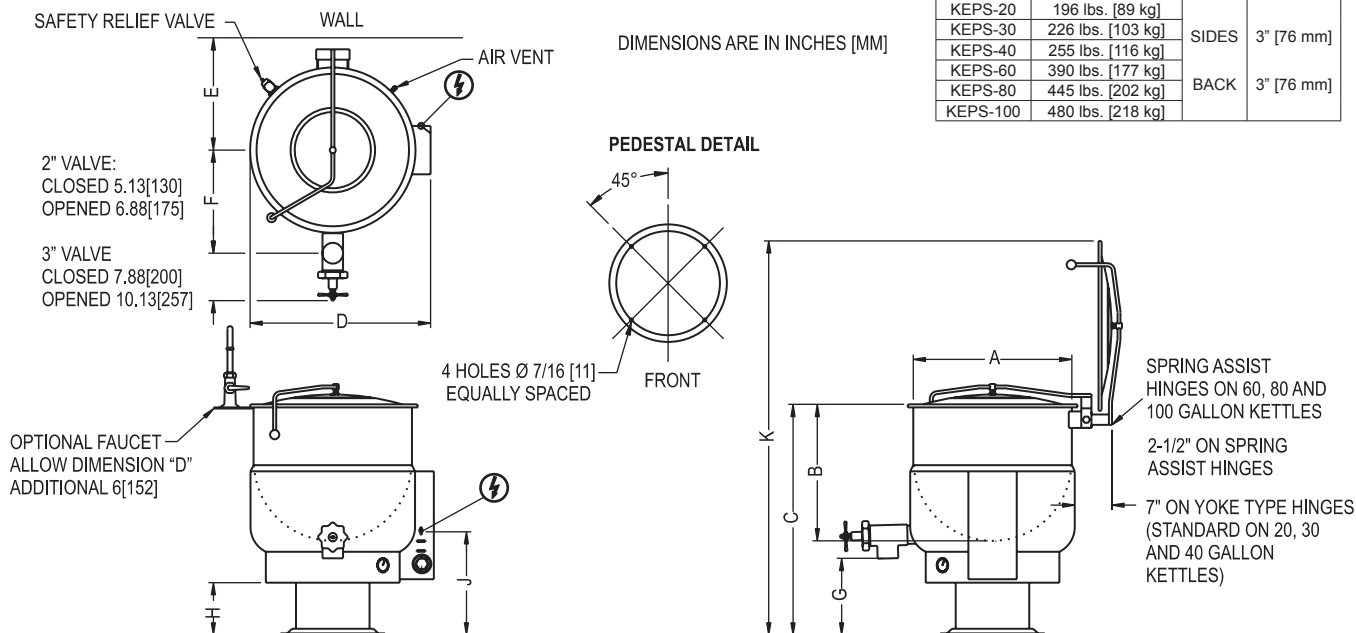
- One piece lift off cover (C-)
- Triple basket assembly (TBA-)
- Perforated strainer for draw-off valve (TPS-)
- Solid stainless steel disc for draw-off valve (TSS-)
- Graduated measuring strip (CMS-)
- Strainer hook (SH)
- Single pantry faucet with swing spout (SF-18)
- Double pantry faucet with swing spout (DF-18)
- Draw-off valve hose kit (DVHK-2)
- Calibrated thermostat dial "F"
- Calibrated thermostat dial "C"

Job _____
Item# _____



Models: KEPS-20 KEPS-30 KEPS-40 KEPS-60 KEPS-80 KEPS-100

MODEL	SHIPPING WEIGHT	MINIMUM CLEARANCE	
KEPS-20	196 lbs. [89 kg]	SIDES	3" [76 mm]
KEPS-30	226 lbs. [103 kg]		
KEPS-40	255 lbs. [116 kg]		
KEPS-60	390 lbs. [177 kg]	BACK	3" [76 mm]
KEPS-80	445 lbs. [202 kg]		
KEPS-100	480 lbs. [218 kg]		



SERVICE CONNECTIONS

⚡ - ELECTRICAL CONNECTION : to be specified on data plate

DIMENSIONS

MODEL	CAPACITY	UNITS	A	B	C	D	E	F(2")	F(3")	G(2")	G(3")	H	J	K
KEPS-20	20 gallons (76 liters)	in (mm)	21" (533)	18" (457)	38" (965)	23.75" (629)	18.5" (470)	14.75" (375)	15.5" (394)	18" (457)	17.5" (445)	14" (356)	21" (533)	60.5" (1537)
KEPS-30	30 gallons (114 liters)	in (mm)	24" (610)	20" (508)	38" (965)	27.75" (705)	20" (508)	16" (406)	16.5" (419)	15.75" (400)	15.25" (387)	12.5" (318)	19" (483)	63.5" (1613)
KEPS-40	40 gallons (152 liters)	in (mm)	26" (660)	22.5" (572)	38" (965)	29.75" (756)	21" (533)	17" (432)	18" (457)	13.5" (343)	13" (330)	9" (229)	17" (432)	65" (1651)
KEPS-60	60 gallons (227 liters)	in (mm)	29.5" (749)	26" (660)	42" (1067)	33.75" (857)	19" (483)	18" (457)	19.25" (489)	14" (356)	13.5" (343)	11" (280)	17.25" (438)	75" (1905)
KEPS-80	80 gallons (303 liters)	in (mm)	33" (838)	28" (711)	45" (1143)	36.75" (933)	20.5" (521)	19.5" (495)	20.5" (521)	15" (381)	14.5" (368)	12.75" (324)	18" (458)	81" (2058)
KEPS-100	100 gallons (379 liters)	in (mm)	35.5" (902)	30" (762)	48" (1219)	40" (1016)	22" (559)	21.5" (546)	22.5" (572)	15" (381)	14.5" (368)	13" (330)	10.5" (521)	87" (2210)

ELECTRICAL CHARACTERISTICS

AVAILABLE kW		
MODEL	STANDARD	OPTIONAL
KEPS-20	12	N/A
KEPS-30	15	N/A
KEPS-40	18	24
KEPS-60	18	24 or 33
KEPS-80	18	24 or 33
KEPS-100	24	33

		AMPS PER LINE							
kW	PHASE	208V	220V	240V	380V	415V	480V	600V	
12	1	57.7	54.5	50.0	N/A	N/A	N/A	N/A	
	3	33.3	31.5	28.9	18.2	16.7	14.4	11.6	
15	1	72.1	68.2	62.5	N/A	N/A	N/A	N/A	
	3	41.6	39.4	36.1	22.8	20.9	18.0	14.5	
18	3	50.0	47.2	43.3	27.3	25.0	21.7	21.7	
24	3	66.6	63.0	57.7	36.5	33.4	28.9	23.1	
33	3	91.6	86.6	79.4	50.1	45.9	39.7	31.8	

**INTENDED FOR COMMERCIAL USE ONLY.
NOT FOR HOUSEHOLD USE.**



1100 Old Honeycutt Road, Fuquay-Varina, NC 27526
(919) 762-1000 www.southbendnc.com