



GAS FIRED STEAM JACKETED KETTLE

Job
Item#



MODEL	CAPACITY	
KGCT-12	12 Gallon	46 Liter

OPERATION SHALL BE BY:

Gas self-generating closed steam system equipped to operate on:

- Natural Gas
- L.P. Gas

The controls shall be equipped for operation on:

- 120 VAC, 1 Phase, 50/60 Hz

STANDARD FEATURES:

- Low water level cut-off and indicator
- Pressure gauge
- Temperature control
- Safety relief valve
- Type 316 stainless steel liner
- 2/3 steam jacket
- 50 PSI (345 kPa) high pressure operation for high cooking temperature
- Integrally mounted controls
- "Clean lock" to hold kettle in cooking position or 105° for ease of cleaning

OPTIONAL ITEMS AT EXTRA COST:

- Etched gallon markings (GM-12)
- Etched liter markings (LM-46)
- 220 volt controls

ACCESSORIES:

- One piece lift-off cover (C-10)
- Stainless steel basket (SSB-10)
- Single pantry faucet with swing spout (SF-12)
- Double pantry faucet with swing spout (DF-12)

SPECIFICATIONS:

Shall be a Southbend Model **KGCT-12**, gas fired, self-contained steam jacketed kettle. A double wall kettle interior shall form a steam jacket around the lower 2/3 of the kettle. The jacket enclosure shall contain factory sealed distilled water. Kettle exterior is fully insulated. The bottom of the kettle shall be of hemispherical design for superior heat circulation.

The mounting base shall include four stainless steel tubular legs fitted with a four hole adjustable foot for securing the unit to the floor and a stainless steel mechanism housing.

A removable operating handle with high heat proof knob shall be mounted on the right.

Construction shall be stainless steel type 304 with #4 satin exterior finish. The interior kettle liner shall be a one piece welded construction made with type 316 stainless steel for added resistance to corrosion. The kettle shall be ASME constructed and National Board Registered.

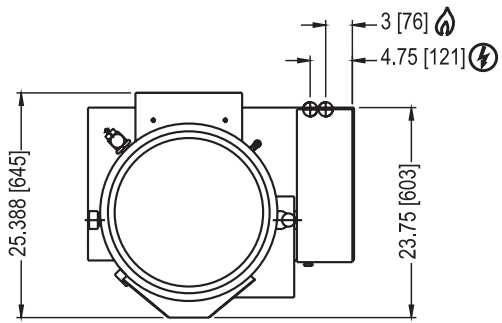
The controls shall be integrally mounted to the kettle and shall include solid state thermostat, power switch temperature light, ignition light, low water indicator light, water sight glass, pressure gauge and electronic ignition.

Safety features include low water shut off, burners turning off automatically when kettle is tilted, pressure switch and pressure relief valve.

The kettle shall operate in a temperature range of 150 degrees Fahrenheit (66 degrees Celsius) to 285 degrees Fahrenheit (140 degrees Celsius) at a maximum pressure of 50 PSI (345 kPa).



Models: □ KGCT-12

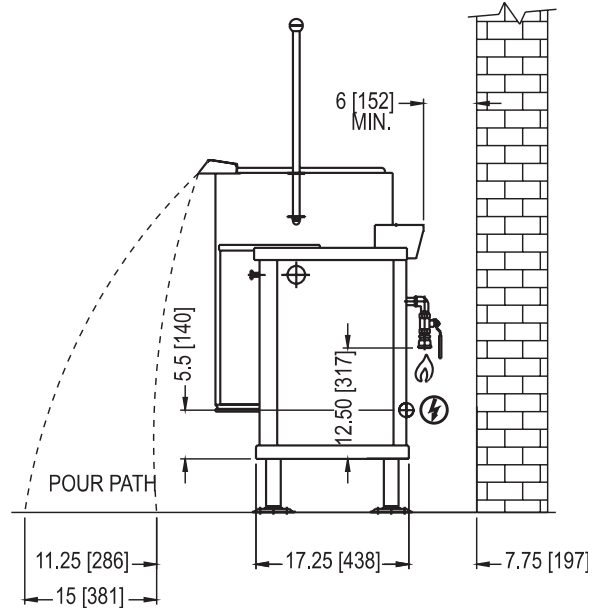
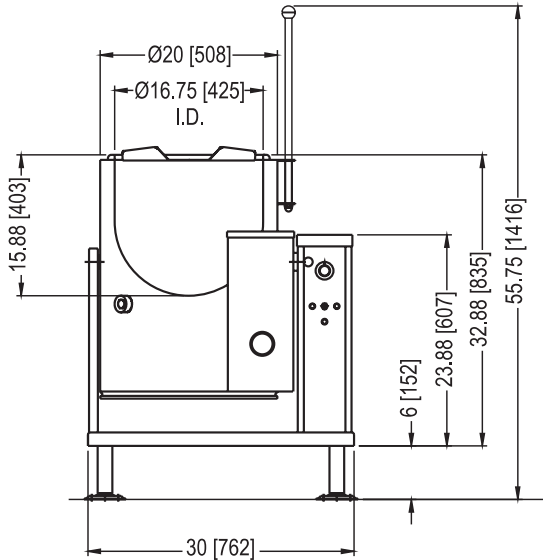


DIMENSIONS ARE IN INCHES [MM]



FLANGED FOOT DETAIL

4 EQUALLY SPACED
 Ø7/16" [11mm] HOLES
 ON 3 [76] B.C.



SERVICE CONNECTIONS

- ⚡ - ELECTRICAL CONNECTION: Unless otherwise specified, field wire electrical connection to be 120VAC, 60 Hz, 1 Phase with grounding wire. Unit furnished with 6' cord and 3 prong plug. Total max. amps 2.0.
- 🔥 - GAS CONNECTION: 3/4" IPS (19 mm) IPS. Contact manufacturer for installation over 2,000 ft elevation.

UTILITIES

MODEL	BTU/HOUR	kW/HOUR	FUEL	WATER COLUMN PRESSURE
KGCT-12	43,000	12.6	Natural	5" - 14" (127mm - 335 mm)
			Propane	11" - 14" (280mm - 355 mm)

**INTENDED FOR COMMERCIAL USE ONLY.
 NOT FOR HOUSEHOLD USE.**



1100 Old Honeycutt Road, Fuquay-Varina, NC 27526
 (919) 762-1000 www.southbendnc.com