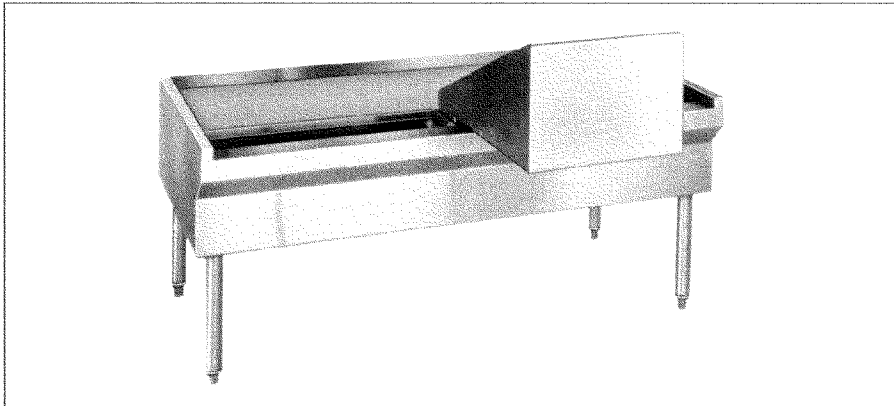


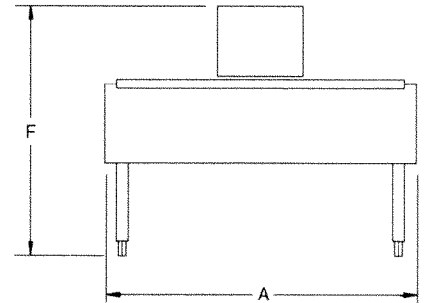


## KETTLE STANDS

### Model KTED – For Direct Steam or Electric Units

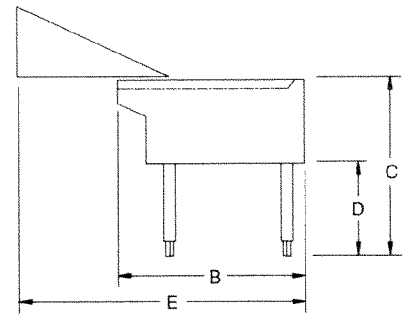


STANDARD FINISH: Stainless Steel

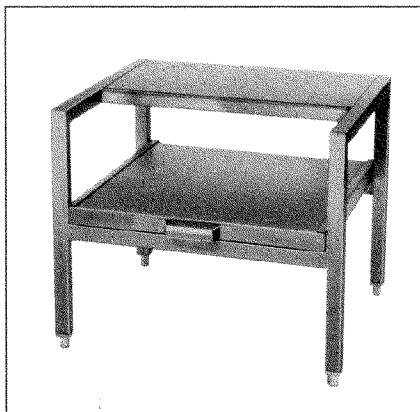


#### KETTLE TABLES

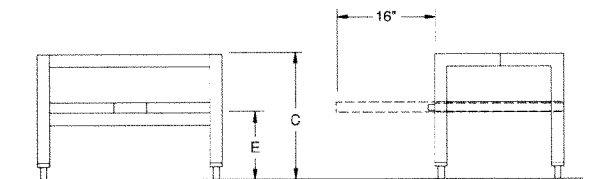
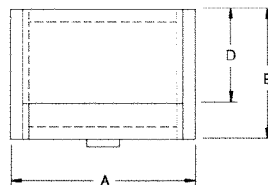
Model		A	B	C	D	E	F
KTED-26	inches	26	24	22	11-7/8	36-1/2	31
		660	610	559	302	927	787
KTED-40	mm	40	24	22	11-7/8	36-1/2	31
		1016	610	559	302	927	787
KTED-50	inches	50	24	22	11-7/8	36-1/2	31
		1270	610	559	302	927	787
KTED-64	mm	64	24	22	11-7/8	36-1/2	31
		1626	610	559	302	927	787
KTED-80-S	inches	80	24	22	11-7/8	36-1/2	31
		2032	610	559	302	927	787



### Model KEDC – For Direct Steam or Electric Units



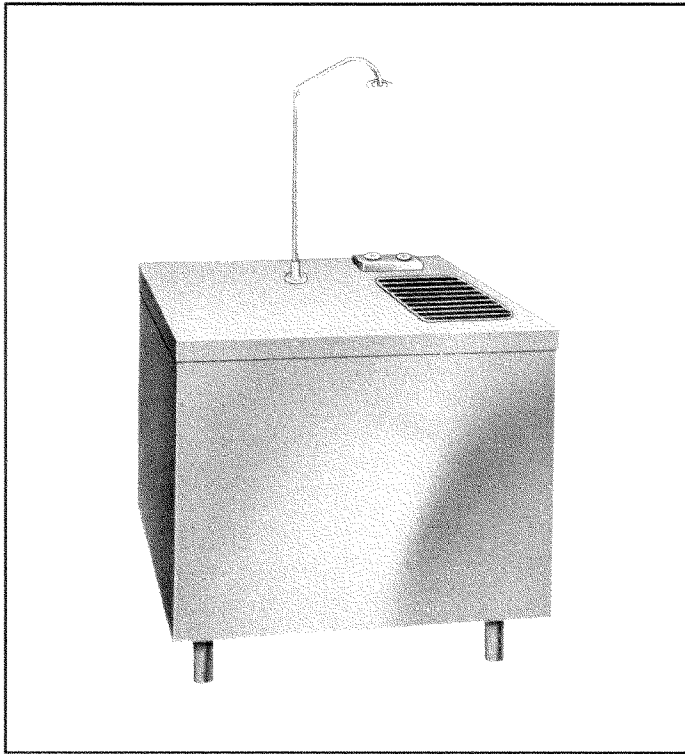
STANDARD FINISH: Stainless Steel



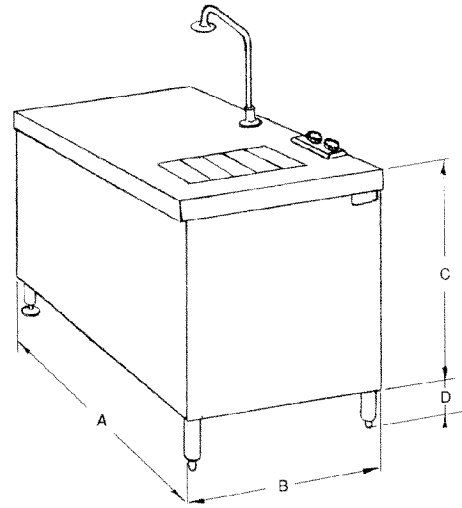
#### STANDS

Model		A	B	C	D	E
KEDC-24	inches	24	21	20-1/4	12.75	11
		610	533	533	324	279
KEDC-30	mm	30	21	20-1/4	12.75	11
		762	533	214	324	279

# Model KDCT 30" For Direct Steam Kettles only



STANDARD FINISH: Stainless Steel



## STAND

Model		A	B	C	D
KDCT-18		33	18	22	6
		838	457	559	152
KDCT-24	inches	33	24	22	6
	mm	838	610	559	152
KDCT-36		33	36	22	6
		838	914	559	152

### MISCELLANEOUS INFORMATION:

Check local codes for installation and sanitary regulations.

**INTENDED FOR COMMERCIAL USE ONLY. NOT FOR HOUSEHOLD USE.**

Southbend, in line with its policy to continually improve its products, reserves the right to change materials or specifications without notice.



A MIDDLEBY COMPANY