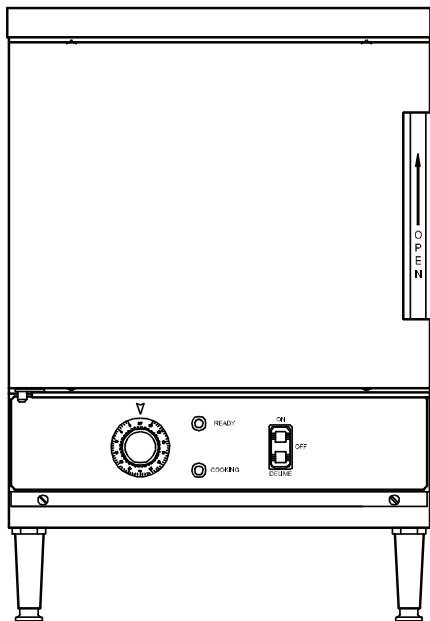




# ELECTRIC COUNTER STEAMER AUTO FILL, AUTO DRAIN

Job \_\_\_\_\_  
Item# \_\_\_\_\_



Model shown is an R18A-4

## SPECIFICATIONS:

Shall be a Southbend model **R18A-4 (4 pan)** counter convection steamer with electric steam generator, c-CSA-us and NSF certified. Unit shall be constructed of #4 finish 304 stainless steel with a one piece welded 316 stainless steel cooking chamber with coved corners. The door shall have a removable inner liner of stainless steel with full perimeter gasket seal, an outer liner of one-piece all welded stainless steel, and a positive lock and seal mechanism. The steamer shall be provided with removable stainless steel pan supports and adjustable leveling feet.

The control housing shall be constructed of stainless steel with a full access removable panel. The controls shall include an illuminated three way power switch (On / Off / De-lime), a pilot ready light, a pilot cook light, 60 minute electric timer with audible alarm at the end of the cooking cycle. Steam flow to the cooking chamber shall be interrupted when the door is opened and shall be reactivated when door is closed. Standard features include a de-liming port located at the rear of the generator tank, de-lime mode power setting, automatic blow-down valve, solid state liquid level controls and split water connections for simple hook up to a water treatment system.

The steamer is constructed so that it may be mounted flush to a counter top or on 4" (102 mm) legs. The steamer may also be stacked using a stacking kit. The steamer comes standard with Southbend's water treatment system, model 1190861 for a single steamer or model 1190862 for double stacked steamers.

**\*SEE REVERSE SIDE OF SPEC SHEET FOR WATER TREATMENT SYSTEM STATEMENTS\***

Model	Compartment Pan Capacity			
	PanDepth			
	1"	2-1/2"	4"	6"
R18A-4	8	4	2	2

## OPERATION SHALL BE BY:

Electrically heated steam generator operating at 0 psi (0kPa) with field replaceable elements rated at 10 kW.

The steam generator shall be equipped for operation on:

- 208 VAC, 10 kW, 3 Phase, 50/60 Hz. \*
- 240 VAC, 10 kW, 3 Phase, 50/60 Hz. \*
- 220 VAC, 8.4 kW, 3 Phase, 50/60 Hz. \*

**\* UNIT SHALL BE FIELD CONVERTIBLE TO SINGLE PHASE**

## STANDARD FEATURES:

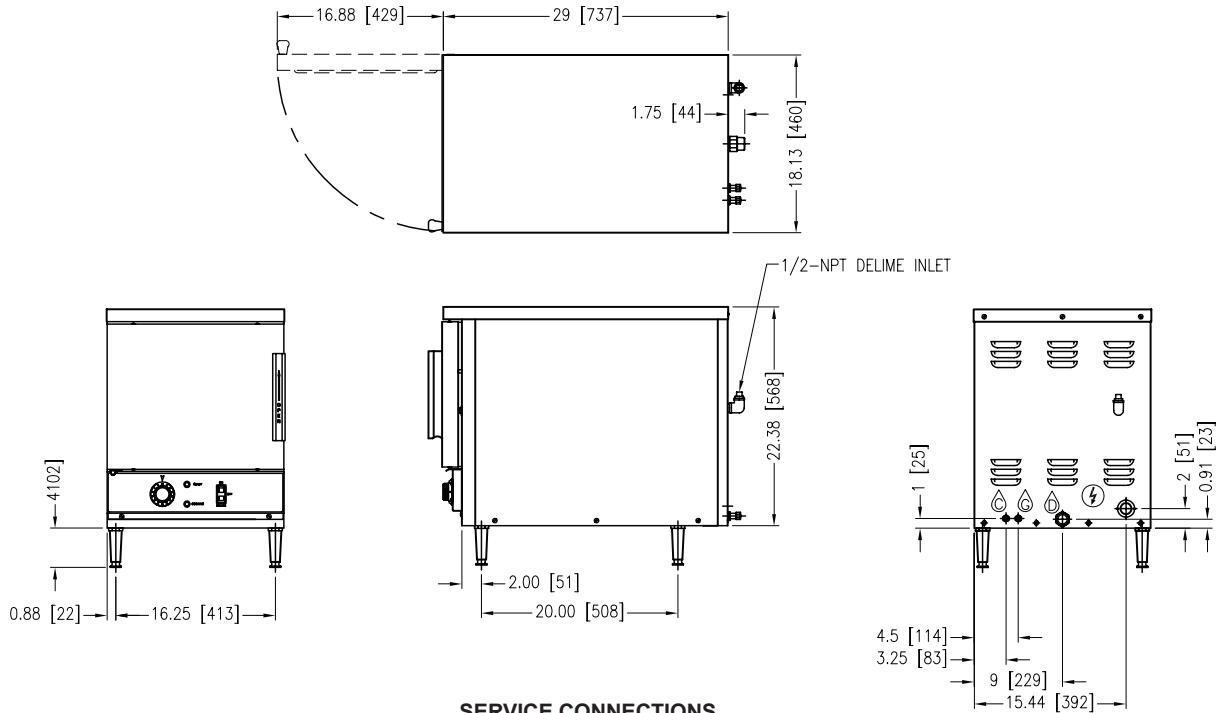
- 304 stainless steel exterior.
- 316 stainless steel cooking chamber with coved corners.
- Heavy gauge stainless steel door with full perimeter gasket.
- Positive lock and seal mechanism with spring release door.
- Illuminated power switch.
- Ready indicator light.
- Cooking indicator light.
- 60 minute electromechanical timer with end of cycle audible alarm.
- Removable stainless steel pan supports.
- Electromechanical controls.

## OPTIONS AND ACCESSORIES:

- 380 VAC, 8.4 kW, 3 phase, 50/60 Hz.
- 415 VAC, 10 kW, 3 phase, 50/60 Hz.
- 380/220 VAC, 8.4 kW, VAC, 3 Phase, 50/60 Hz 4 wire
- 415/240 VAC, 10 kW, VAC, 3 Phase, 50/60 Hz 4 wire
- 120 minute timer
- Constant steam feature
- Correctional package
- Load compensating timer
- High sensitivity level controls (R.O. water)
- 4" adjustable legs
- Stacking kit for (2) units
- 28" high single unit stand and double unit stacking stands available (Contact factory for details)



Models:  R18A-4



**SERVICE CONNECTIONS**

- ⚡ – ELECTRICAL CONNECTION:  $\varnothing$  1 1/8" hole for electrical connection. Rating to be as specified on data plate.
- Ⓒ – COLD WATER: 3/8" (10 mm) O.D. tubing at 25-50 psi (170-345 kPa).
- Ⓓ – GENERATOR WATER: 3/8" (10 mm) O.D. tubing at 25-50 psi (170-345 kPa).
- Ⓔ – DRAIN: 1" (13 mm) NPT

**ELECTRICAL CHARACTERISTICS**

MODEL	AMPS/PHASE							
	208V, 10 kW		220V, 8.4 kW		240V, 10 kW		380V, 8.4 kW	415V, 10 kW
	1 PH	3 PH	1 PH	3 PH	1 PH	3 PH	3 PH	3 PH
R18A-4	48.1	27.8	38.2	22.1	41.7	24.1	12.8	13.9

**PAN CAPACITIES**

MODEL	PAN DEPTH	INCHES	1"	2.5"	4"	6"	SHIPPING WEIGHT	MINIMUM CLEARANCE	
		MM	25	64	102	152		SIDES	0
R18A-4	Total Quantity of Pans		8	4	2	2	172 lbs. [78 kg]	BACK	0

**WATER QUALITY STATEMENT**

Water quality is the major factor affecting the performance of your appliance. If you are unsure of water quality, consult a local water treatment specialist and have the water analyzed. Your water supply must be within these general guidelines:

- Total dissolved solids.....Less than 60 PPM
- Total alkalinity .....Less than 20 PPM
- Silica.....Less than 13 PPM
- Chlorine .....Less than 1.5 PPM
- pH Factor .....7.0 - 8.5

Water which fails to meet these standards should be treated by installation of water conditioner.

**\*FAILURE OR MALFUNCTION OF THIS APPLIANCE DUE TO POOR WATER QUALITY IS NOT COVERED UNDER WARRANTY.\***

At no additional charge, SOUTHBEND auto-fill countertop steam units will be shipped with either a complete water treatment system part number 1190861 (for single steamer) or 1190862 (for stacked steamers) and will include an extended limited parts and labor warranty in (6) month intervals for up to (2) years from original date of equipment installation.

Reference [www.southbendnc.com](http://www.southbendnc.com) for complete water treatment system warranty details and restrictions.

**INTENDED FOR COMMERCIAL USE ONLY.  
NOT FOR HOUSEHOLD USE.**



1100 Old Honeycutt Road, Fuquay-Varina, NC 27526  
(919) 762-1000 [www.southbendnc.com](http://www.southbendnc.com)