



SPECIFICATIONS:

Shall be a Model _____, pressure compartment cooker with steam coil steam boiler, c-CSA-us and NSF Certified, ASME code stamped and National Board registered. The cooker shall be constructed of all-welded type 304 #4 finished stainless steel. The doors shall have a removable inner liner of aluminum plate with full perimeter gasket seal, an outer shell of one piece welded stainless steel, and a wheel-and-screw closing mechanism. The doors, with a clear opening of 10-1/4" x 26-3/8" (260 mm x 670 mm) shall latch upon closing and open 180° upon latch release. Compartment operation shall be at a maximum pressure of 6 psi (41 kPa). Each compartment shall be provided with universal pan supports. Each optional sliding shelf will support two full size (1/1 gastronorm) pans.

The control housing shall be constructed of #4 finish stainless steel with a full-access removable panel. Each compartment shall be independently controlled by an automatic timer control with visible and audible signals. At the end of the cooking cycle, the controls automatically shut off and exhaust the incoming steam, drain the condensate from the compartment, and sound a continuous audible signal until turned off manually.

The compartment cooker shall be mounted on a cabinet base with full perimeter angle frame, reinforced counter, steam coil boiler complete with controls, hinged doors and 6" (152 mm) stainless steel legs fitted with adjustable bullet feet on front and flanged feet on the rear. Exterior shall be stainless steel #4 finish with removable side panels for easy access to boiler.

PAN CAPACITY PER COMPARTMENT, 12" x 20"				
MODEL	PAN DEPTH			
	1"	2-1/2"	4"	6"
SC-2S	14	6	4	2
SC-3S				

OPERATION SHALL BE BY:

Steam coil heated steam boiler operating at 15 psi (103 kPa). The boiler shall be equipped for operation on incoming steam pressure of 40-50 psi (276-345 kPa) with a flow of 200 lbs. (90 kg) per hour.

The controls shall be equipped for operation on:

- 115 VAC, 1 Phase, 60 Hz

STANDARD FEATURES:

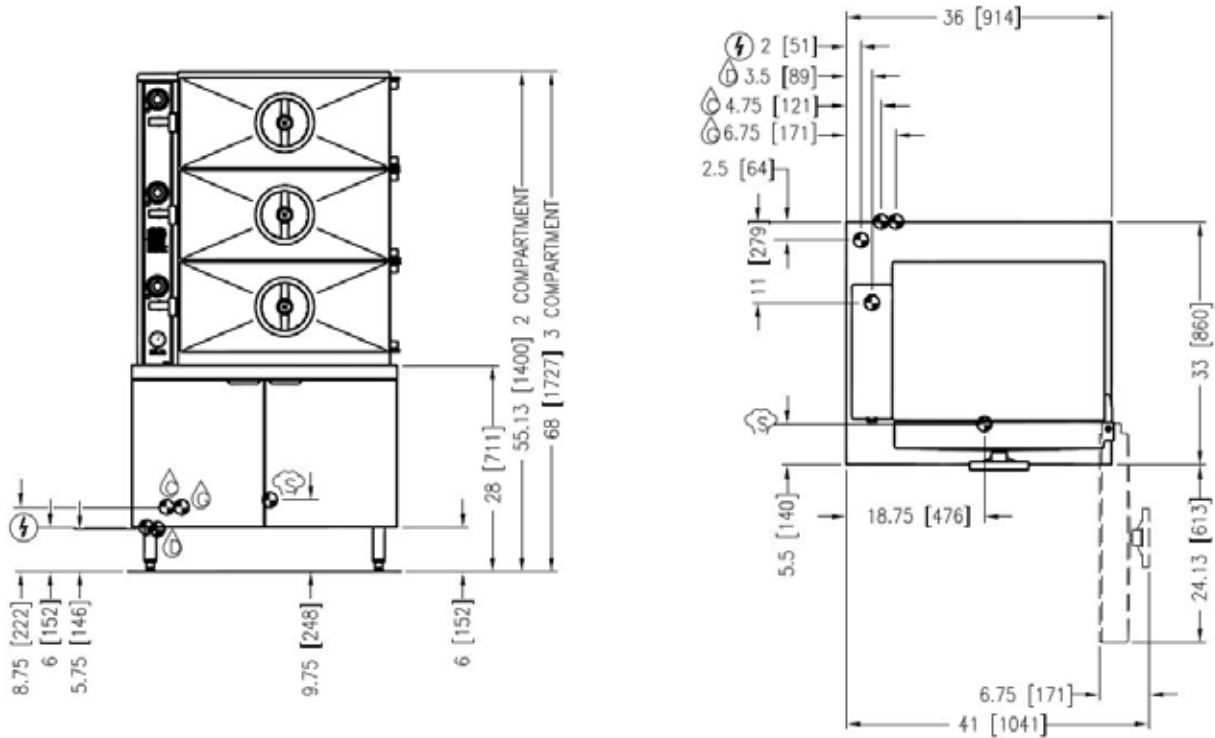
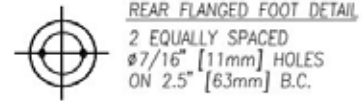
- Split water line (boiler feed and condensate).
- Automatic blowdown.
- Water in "Y" strainer.

OPTIONS AND ACCESSORIES:

- 208-240 VAC operation (specify voltage).
- Stainless steel back panel.
- Stainless steel frame.
- Spray and rinse assembly.
- Correctional package.
- Front flanged feet.
- Full width sliding shelf.
- Single pantry 60" (1.52m) spray hose and bracket.
- Double pantry 60" (1.52m) spray hose and bracket.
- Ball float trap

Job _____
Item# _____

DIMENSIONS



SERVICE CONNECTIONS

- ⚡ – ELECTRICAL CONNECTION: 1/2" (13 mm) conduit connection to controls. 2 Amps per compartment, 120-60-1 or 220-50-1.
- ⊖ – GENERATOR: COLD WATER: 3/8" (10 mm) O.D. tubing at 25-50 psi (170-345 kPa).
- ⊕ – CONDENSATE: COLD WATER: 3/8" (10 mm) O.D. tubing at 25-50 psi (170-345 kPa).
- ⊖ – DRAIN: 2" (51 mm) IPS piped to open floor drain. No solid connection.
- ⊕ – STEAM TAKE-OFF CONNECTION: 3/4" (19 mm) IPS optional to operate adjacent equipment.

WATER QUALITY STATEMENT

Water quality is the major factor affecting the performance of your appliance. If you are unsure of water quality, consult a local water treatment specialist and have the water analyzed. Your water supply must be within these general guidelines:

Total dissolved solids	Less than 60 PPM
Total alkalinity	Less than 20 PPM
Silica.....	Less than 13 PPM
Chlorine	Less than 1.5 PPM
pH Factor	7.0 - 8.5

Water which fails to meet these standards should be treated by installation of water conditioner.

FAILURE OR MALFUNCTION OF THIS APPLIANCE DUE TO POOR WATER QUALITY IS NOT COVERED UNDER WARRANTY. CONTACT SOUTHBEND FOR WATER QUALITY SOLUTIONS.

**INTENDED FOR COMMERCIAL USE ONLY.
NOT FOR HOUSEHOLD USE.**

