

Standard Features
Blast Chiller/ Shock Freezer

TC15-BCF (Fifteen pan)

Job _____
 Item# _____

- Safely and rapidly chills or freezes hot food to meet HACCP guidelines for proper food holdings
- Easy to use touch screen controller - HACCP function
- USB data ports
- 100% AISI 304 Grade Stainless Steel construction, interior and exterior
- Heated probes
- Slide out refrigeration system
- Self contained refrigeration system
- UV sterilization
- Water condensing tray
- R404a refrigerant
- Auto defrost with hot gas
- Easy snap in magnetic door gasket
- Interior round corners for easy cleaning
- Casters
- (2) years limited parts and labor and (5) years compressor warranty (reference <http://www.southbendnc.com/service.html> for limited warranty details)



Model shown TC15-BCF on adjustable inox feet

MODEL	OUTPUT DATA	
	OUTPUT CHILLING	OUTPUT FREEZING
TC15-BCF	194°F/ 37.4°F(+90°C/+3°C) 143 lbs (65 kg) within 90 min	194°F/0°F(+90°C/-18°C) 110 lbs (50 kg) within 270 min

Environment

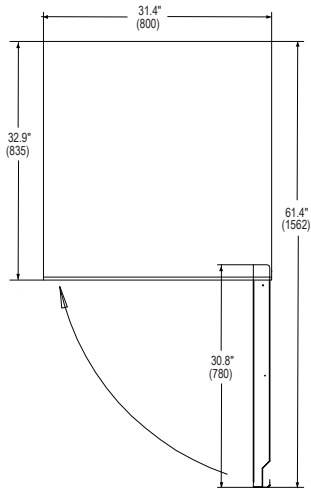
- (CFC & HCFC free) R404a refrigerant.
- High-tech environmentally friendly CFC-HCFC free, Cyclopentane foaming, for longer lasting insulation properties
- Lower energy consumption and less CO2 emissions
- Made of almost 99% recyclable materials
- ISO 14001 Certified

STANDARD CONSTRUCTION SPECIFICATIONS

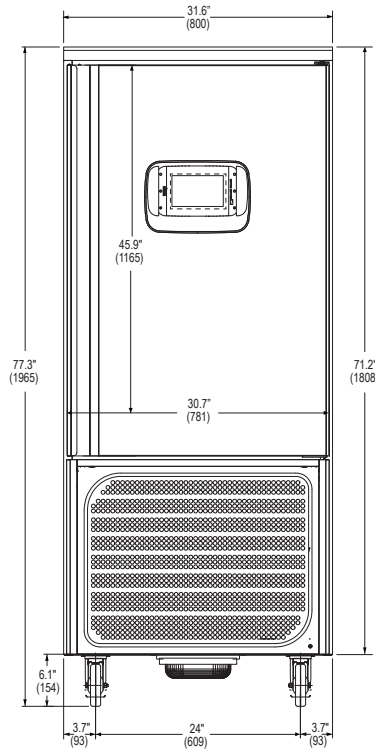
- Slide out refrigeration system
- Reversible self closing doors
- Push fit magnetic door seal
- Polyurethane insulation 2 23/64" (60mm) thick CFC/HCFC free
- Easy-Clean covered interior
- Standard Stainless Steel back
- Distance between racks 2 23/64" (60mm)
- Ready for: Nr.5 shelves GN1/1 12 51/64" x 20 7/8" or 18 7/64" x 26 63/64" (325 x 530mm or 460x660mm) (Not included)

Models: TC15-BCF

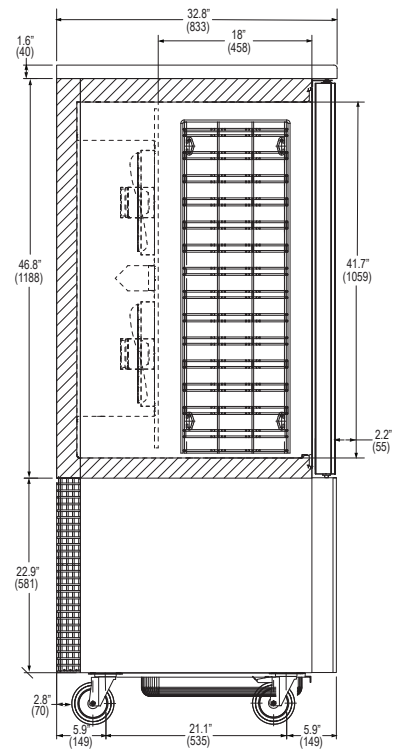
Dimensions -in (mm)



FRONT VIEW



SIDE VIEW



TOP VIEW

MODEL	UNIT DIMENSIONS				
	WIDTH	DEPTH	HEIGHT	VOLUME	WEIGHT
TC15-BCF	31.5" (800)	32.9" (835)	77.3" (1965)	48 cu. ft. (1.36 cu. m.)	552 lbs (250 kg)

UTILITY INFORMATION

VOLTAGE	Abs. POWER	Model
220V/60Hz/3P	3550W	TC15-BCF

MISCELLANEOUS

- If casters are used, a restraining device should be used to eliminate undue strain on the power line
- Clearances from combustibles: Top-0", bottom-0", right side-0" and left-2"
- Check local codes for fire and sanitary regulations

Notice: Southbend reserves the right to change specifications and product design without notice. Such revisions do not entitle the buyer to corresponding changes, improvements, additions, or replacements for previously purchased equipment.

**INTENDED FOR COMMERCIAL USE ONLY.
NOT FOR HOUSEHOLD USE.**



1100 Old Honeycutt Road, Fuquay-Varina, NC 27526
(919) 762-1000 www.southbendnc.com