



TRUVECTION OVEN

Low Profile, Gas, Convection Oven

Standard Features

- Patented, high efficiency, non-clog, Inshot burners
- 52,000 BTU (NAT or LP) per deck
- Available in standard depth
- Single deck TruVection oven is 26-1/4" in height (29-7/8" with flue)
- Dependent doors with windows (Full 180° opening)
- Oven interior light
- Coved, porcelain interior
- Heavy duty, chrome plated door handle
- 1/2 hp two speed fan motor
- 5-position rack guides and 3 chrome plated oven racks
- Electronic ignition
- Cool down fan mode
- Oven "ready" light
- Platinum modular equipment or Heavy Duty Counterline units can sit on single deck. Overhanging units require an additional add-on cabinet. (See spec sheet TVES/30SC for stacked TruVection units)

TVGS/12SC - single deck TruVection



TVGS/12SC shown with optional platinum equipment mounted on top and optional casters

Available Control

SC-Standard Controls

150°F to 550°F solid state thermostat and 60 minute mechanical cook timer.

STANDARD CONSTRUCTION SPECIFICATIONS

Exterior Finish: Stainless steel front, sides and top.

Doors: Dependent doors with windows, stainless steel construction, heavy-duty welded steel frame and 5/8" diameter full-length hinge pin.

Oven Interior: Coved porcelain enamel finish.

Rack and Rack Guides: Heavy-duty removable wire rack guides spaced on 1-5/8" centers offer 5 different rack positions. 3 wire racks provided with each oven.

Blower Fan and Motor: 1/2hp, 2-speed motor, 1710/1120 r.p.m

Oven Heating: 52,000 BTU (NAT or LP). Oven heating is regulated by an adjustable thermostat control. Blower fan circulates air within the cavity "scrubbing" heat to the oven interior for even heat distribution within the cavity.

Control Panel: Located on front, at right side of oven. Removable panel pulls out for easy servicing.

Legs: 6" stainless steel legs standard.

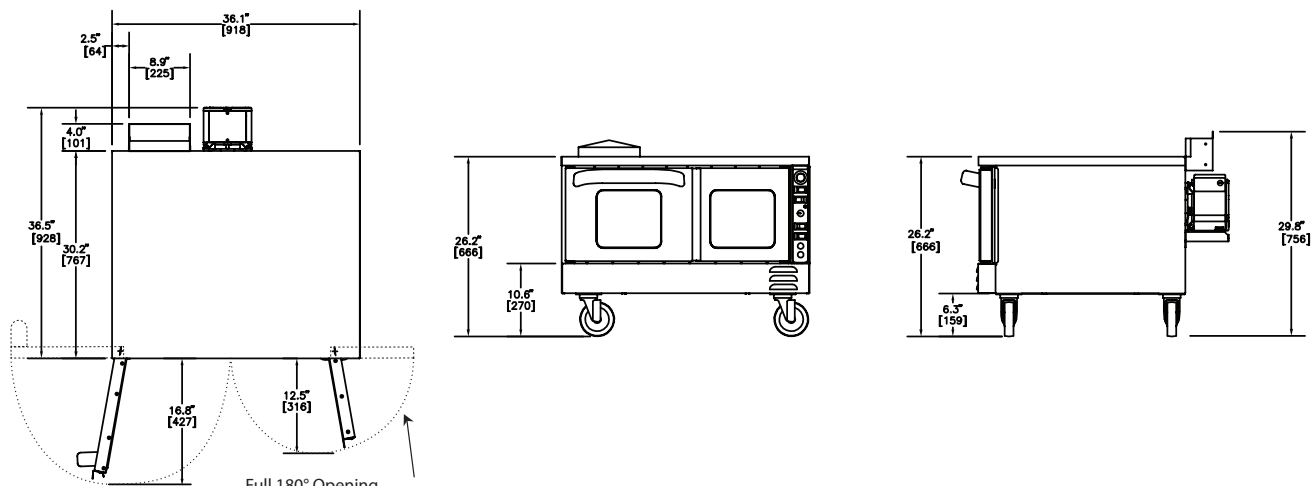
Note: Oven cannot be operated without fan in operation.

Job _____
Item# _____



Models: TVGS/12SC

Dimensions - in [mm]



MODEL	OVEN INTERIOR (PER DECK)			RACK CLEARANCE		SHIPPING CRATE				
	WIDTH	DEPTH	HEIGHT	WIDTH	DEPTH	WIDTH	DEPTH	HEIGHT	VOLUME	WEIGHT
TVGS/12SC	29" (737)	21.5" (546)	14" (356)	28.19" (716)	21" (533)	55" (1397)	45" (1143)	46" (1168)	65.88 cu. ft. (1.87 cu. m.)	300 lbs (136.08 kg)

UTILITY INFORMATION

GAS:

- Standard Depth: 52,000 BTU per oven cavity (NAT or LP)
- One 1" female connection
- Required minimum inlet pressure:
 - Natural gas 7" W.C.
 - Propane gas 11" W.C.

ELECTRIC:

- Standard: 120/60/1 phase, furnished with 6' cord w/3-prong plug (1 plug/deck). NEMA #5-15p. Total maximum amps 7.9.
- Optional: 208/60/1 (190-219 volts). Supply must be wired to junction box with terminal block located at rear. Total maximum amps 4.3.
- Optional: 240/60/ 1 or 3 (220-240 volts). Supply must be wired to junction box with terminal block located at rear. Total maximum amps 3.8.
- Optional: 240/50/ 1 or 3 (208-240 volts). Supply must be wired to junction box with terminal block located at rear. Total maximum amps 6.0.

* All units shipped single phase.

MISCELLANEOUS

- If using flex hose connector, the I.D should not be smaller than 1" and must comply with ANSI Z 21.69.
- If casters are used with flex hose, a restraining device should be used to eliminate undue strain on the flex hose.
- Clearances from combustibles: Top-0", bottom-0", right side-0" and left-3"
- Install under vented hood
- Check local codes for fire and sanitary regulations
- If the unit is connected directly to the outside flue, an A.G.A approved down draft diverter must be installed at the flue outlet of the oven
- Oven cannot be operated without fan in operation

Notice: Southbend reserves the right to change specifications and product design without notice. Such revisions do not entitle the buyer to corresponding changes, improvements, additions, or replacements for previously purchased equipment.

OPTIONS AND ACCESSORIES

- 208/240 V, 1 phase, 50/60 Hz
- Export Crating
- Extra oven racks
- Bottom, roller bearing, sliding rack
- Casters
- 12" legs
- 26" stainless steel legs
- Marine edge top
- Down draft diverter for direct flue
- 1" quick disconnect with flexible hose (specify length: 3ft, 4ft, or 5ft)
- 2" air insulation panel (stainless steel only)

**INTENDED FOR COMMERCIAL USE ONLY.
NOT FOR HOUSEHOLD USE.**



1100 Old Honeycutt Road, Fuquay-Varina, NC 27526
(919) 762-1000 www.southbendnc.com