



STAINLESS STEEL
SMART SERIES™
UNDERMOUNT SINK BOWLS
SUPER SIZE



Item #: _____ **Qty #:** _____
Model #: _____
Project #: _____



FEATURES:

One piece seamless **Deep Drawn** stainless steel bowls.
 All bowls are supplied with sound deadening pads.
 Units feature Advance Tabco's **Smart Finish™**.

MATERIALS:

Type 304 Series Stainless steel.

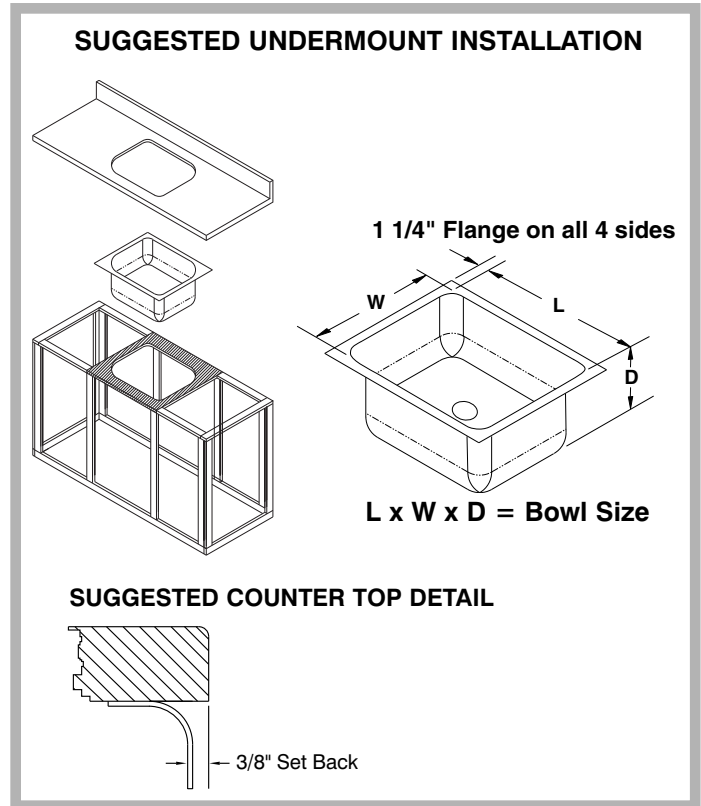
OEM Bowls welded by others into stainless steel products.
 Multiple compartment assemblies available. Call for pricing.

DIMENSIONS
and SPECIFICATIONS

TOL ± .125"

ALL DIMENSIONS ARE TYPICAL

Model#	Gauge	L (Length)	W (Width)	D (Depth)	O.D. Trim Size
1014B-05	20	10" x 14" x 5"	2"	5"	12" x 18"
1014A-10	20	10" x 14" x 10"	2"	10"	12" x 18"
1014A-10A	18	10" x 14" x 10"	2"	10"	12" x 18"
1220A-06	20	12" x 20" x 6"	2 1/2"	6"	14 1/2" x 22 1/2"
1220A-08	18	12" x 20" x 8"	2 1/2"	8"	14 1/2" x 22 1/2"
1620A-10	18	16" x 20" x 10"	3"	10"	18 1/2" x 22 1/2"
1620A-12	18	16" x 20" x 12"	3"	12"	18 1/2" x 22 1/2"
1620A-14A	14	16" x 20" x 14"	3"	14"	18 1/2" x 22 1/2"
1824A-12	18	18" x 24" x 12"	3"	12"	20 1/2" x 26 1/2"
1824A-14A	14	18" x 24" x 14"	3"	14"	20 1/2" x 26 1/2"
2020A-12	18	20" x 20" x 12"	3"	12"	22 1/2" x 22 1/2"
2020A-14	18	20" x 20" x 14"	3"	14"	22 1/2" x 22 1/2"
2028A-12	16	20" x 28" x 12"	3"	12"	22 1/2" x 30 1/2"
2028A-14A	14	20" x 28" x 14"	3"	14"	22 1/2" x 30 1/2"
2424A-14A	14	24" x 24" x 14"	3"	14"	26 1/2" x 26 1/2"



NEW YORK
 (800) 645-3166
 Fax: (631) 242-6900

GEORGIA
 (800) 832-1218
 Fax: (770) 775-5625

TEXAS
 (800) 527-0353
 Fax: (972) 932-4795

NEVADA
 (800) 446-8684
 Fax: (775) 972-1578

For Assistance with
 Smart Modifications & Accessories Call:

1-800-498-6634 Fax: 631-586-2933
 smartfab@advancetabco.com