

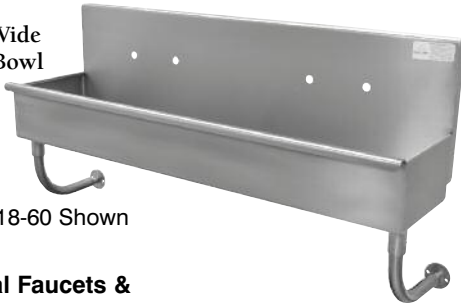


STAINLESS STEEL
HAND SINKS
WALL MOUNTED MULTI-STATIONS
 with Tubular Supports

Multi-Wash Multi-Functional

Standard "19" Series

17 1/2" Wide
 8" Deep Bowl



19-18-60 Shown

Optional Faucets & Knee Valve Assembly Available (See Below)

FEATURES:

Square corner construction for extra duty applications.
 Tubular stainless steel supports allow full clearance underneath.
 10" High Backsplash.
 1-1/4" diameter, 8" O.C. faucet holes.
 Stainless steel "Z" brackets (2) supplied each unit.

CONSTRUCTION:

All TIG welded.
 Welded areas blended to match adjacent surfaces and to a satin finish.
 Die formed tubular wall brackets.

MATERIAL:

All 16 gauge type "304" stainless steel.
 1 5/8" tubular stainless steel wall brackets.
 Stainless steel gussets.

MECHANICAL:

Supply is 1/2" hot and cold.
 Faucet holes 8" on centers.
 Faucets and foot pedals are not included (see accessories).
 Waste drain is 1-1/2" basket type, and is included.

Length	MODEL	# of Faucets Required	Approx Wt	Approx Cubes
23"	19-18-23	1	50 lbs.	10
48"	19-18-48	2	60 lbs.	15
60"	19-18-60	2	70 lbs.	18
72"	19-18-72	3	80 lbs.	21
96"	19-18-96	4	100 lbs.	28

MODEL	Optional Accessories	QTY
K-121	Gooseneck Spout	___
7-PS-32	Knee Valve Assembly	___
K-175	Electronic Faucet	___
K-88	Relocate Drain to Rear for A.D.A	___
K-13	S/S Soap Dispenser	___
K-13WMS	Factory Install K-13 to Backsplash	___



7-PS-32



K-121

Item #: _____ **Qty #:** _____
Model #: _____
Project #: _____

NSF Series



19 1/2" Wide
 8" Deep Bowl

FEATURES:

Tubular stainless steel supports allow full clearance underneath.
 8 1/2" High Backsplash.
 1-1/4" diameter, 8" O.C. faucet holes.
 Stainless steel "Z" brackets (2) supplied each unit.

CONSTRUCTION:

All TIG welded.
 Welded areas blended to match adjacent surfaces and to a satin finish.
 Die formed tubular wall brackets.

MATERIAL:

All 14 gauge type "304" stainless steel.
 1 5/8" tubular stainless steel wall brackets.
 Stainless steel gussets.

MECHANICAL:

Supply is 1/2" hot and cold.
 Faucet holes 8" on centers.
 Faucets and foot pedals are not included (see accessories).
 Waste drain is 1-1/2" basket type, and is included.

(L) Length	MODEL	# of Faucets Required	A	B	C	Approx Wt	Approx Cubes
48"	FS-WM-48	2	43"	11"	10"	60 lbs.	15
60"	FS-WM-60	2	55"	15"	14"	70 lbs.	18
72"	FS-WM-72	3	67"	10"	14"	80 lbs.	21
96"	FS-WM-96	4	91"	32"	16"	100 lbs.	28

NOTE: 96" Units provided with 2 Drains

Floor Model Modification Available for above Sinks
 Includes Stainless Steel Legs with Flanged Feet with Sides
 & Rear Cross Bracing
 Add Model # FS-CB-2



Customer Service Available To Assist You 1-800-645-3166 8:30 am - 8:00 pm E.S.T.

Email Orders To: customer@advancetabco.com. For Smart Fabrication™ Quotes, Email To: smartfab@advancetabco.com or Fax To: 631-586-2933

NEW YORK
 Fax: (631) 242-6900

GEORGIA
 Fax: (770) 775-5625

TEXAS
 Fax: (972) 932-4795

NEVADA
 Fax: (775) 972-1578

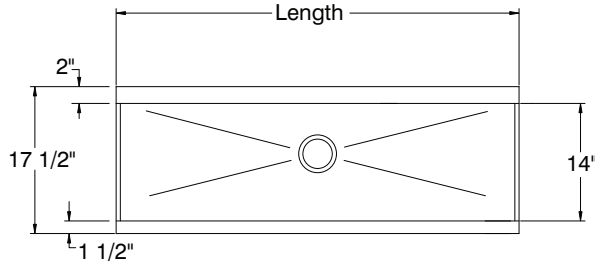
DIMENSIONS and SPECIFICATIONS

TOL ± .500"

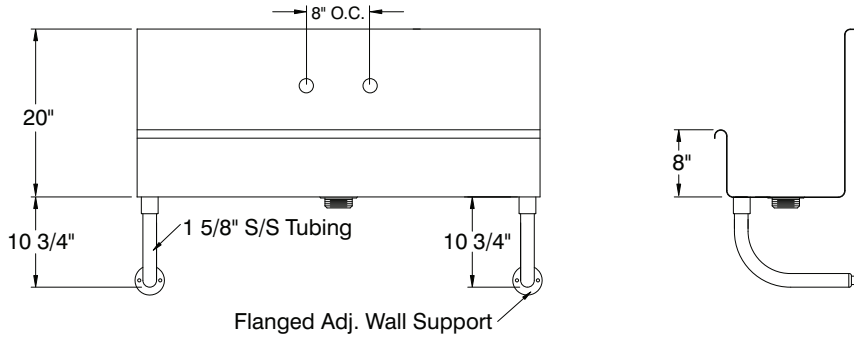
FITTINGS SUPPLIED AS SHOWN

ALL DIMENSIONS ARE TYPICAL

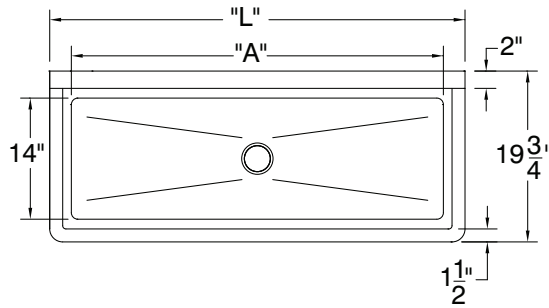
STANDARD "19" SERIES



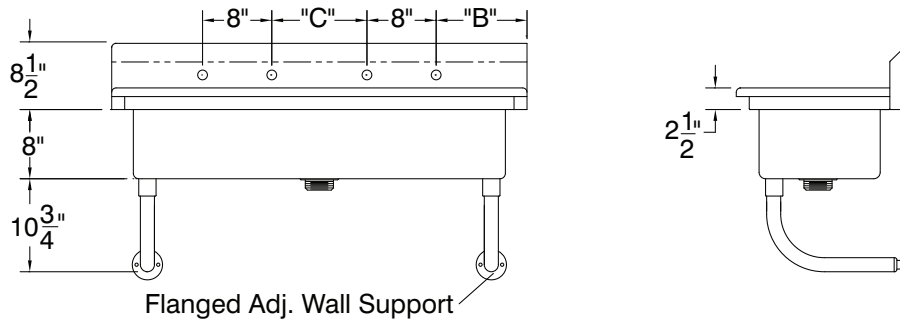
Check Model # for Number of Faucets Required



STANDARD "FS-WM" SERIES



Check Model # for Number of Faucets Required



Standard Faucet conforms to NSF 61 Standard 9 and compliance to AB 1953 Standards.

For Replacement Faucets & Upgrades, Drains & Accessories visit our website at www.advancetabco.com

