



STAINLESS STEEL  
**HAND SINKS**  
**STANDARD**



**SPLASH MOUNTED FAUCETS**



7-PS-60



7-PS-68



7-PS-50



7-PS-54



7-PS-67



7-PS-20



7-PS-20-NF  
Faucet omitted

**SINGLE HOLE PUNCH**  
Faucet omitted



7-PS-71

**DOUBLE HOLE PUNCH**  
Faucet omitted



7-PS-70

**LARGE SIZE SINK BOWLS**

Features  
Large Size  
Sink Bowl  
16" x 20" x 8"



7-PS-45

Features  
Large Size  
Sink Bowl  
16" x 14" x 8"



7-PS-49

**Item #:** \_\_\_\_\_ **Qty #:** \_\_\_\_\_  
**Model #:** \_\_\_\_\_  
**Project #:** \_\_\_\_\_

**Keyhole Bracket for easier installation and greater stability.**



**FEATURES:**

One piece **Deep Drawn** sink bowl design.  
Sink bowl is 10" x 14" x 5".

**7-PS-45** sink bowl size is 16" x 20" x 8".

**7-PS-49** sink bowl size is 16" x 14" x 8".

All sink bowls have a large liberal radii with a minimum dimension of 2" and are rectangular in design for increased capacity.  
Keyhole wall mount bracket.

Stainless steel basket drain 1-1/2" IPS.

**Specific Features:**

**7-PS-20-NF** deck mounted faucet omitted.

**7-PS-50** features lever operated drain and built-in overflow with plastic overflow tube and spring clamps. P-Trap is 1 1/2".

**7-PS-54** features P-Trap only. P-Trap is 1 1/2".

**7-PS-20** 4" O.C. deck mounted centerset faucet furnished with aerator.

**7-PS-50 & 7-PS-60** 4" O.C. splash mounted gooseneck faucet, chrome plated & furnished with aerator.

**7-PS-45** Same as above plus 2 Support Brackets (Hardware Included).

**7-PS-67** features lever operated drain.

**7-PS-68** 4" O.C. splash mounted gooseneck faucet with Wrist Handles, chrome plated & furnished with aerator.

**CONSTRUCTION:**

All TIG welded.

Welded areas blended to match adjacent surfaces and to a satin finish.

Die formed Countertop Edge with a No-Drip offset.

One sheet of stainless steel - No Seams.

**MATERIAL:**

Heavy gauge type 304 series stainless steel.

Wall mounting bracket is Galvanized and of offset design.

All fittings are brass / chrome plated unless otherwise indicated.

**MECHANICAL:**

Faucet supply is 1/2" IPS male thread hot and cold.

**Standard Faucet conforms to NSF 61 Standard 9.  
Faucets Are AB1953 Lead Free Compliant.**

For Replacement Faucets & Upgrades, Drains & Accessories visit our website at [www.advancetabco.com](http://www.advancetabco.com)



**Customer Service Available To Assist You 1-800-645-3166 8:30 am - 8:00 pm E.S.T.**

Email Orders To: [customer@advancetabco.com](mailto:customer@advancetabco.com). For Smart Fabrication™ Quotes, Email To: [smartfab@advancetabco.com](mailto:smartfab@advancetabco.com) or Fax To: 631-586-2933

**NEW YORK**  
Fax: (631) 242-6900

**GEORGIA**  
Fax: (770) 775-5625

**TEXAS**  
Fax: (972) 932-4795

**NEVADA**  
Fax: (775) 972-1578

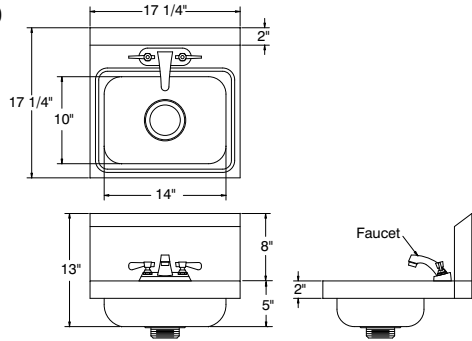
# DIMENSIONS and SPECIFICATIONS

TOL Overall: ± .500" Interior: ± .250"

FITTINGS SUPPLIED AS SHOWN

ALL DIMENSIONS ARE TYPICAL

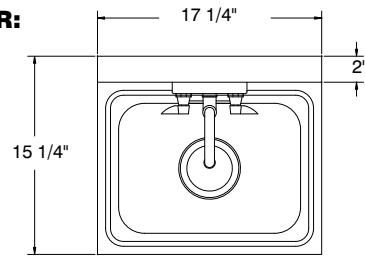
**7-PS-20**



15 lbs.

**TOP VIEW FOR:**

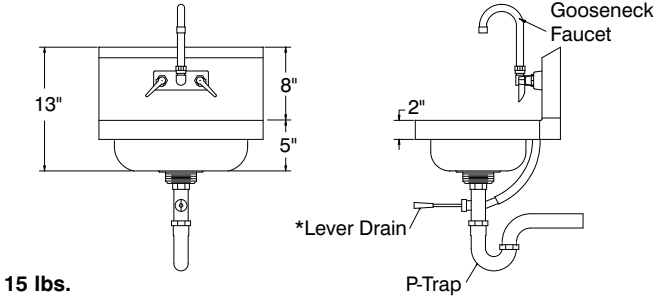
**7-PS-50  
7-PS-54  
7-PS-60  
7-PS-68  
7-PS-70**



Sink Bowl 10" x 14" x 5"

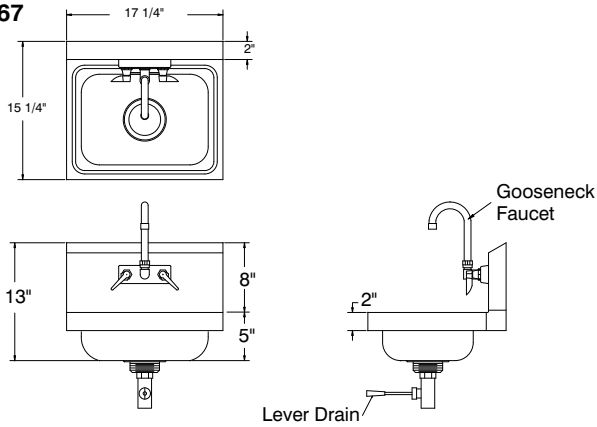
**7-PS-50 & 7-PS-54\***

**NOTE: \*7-PS-54 Hand Sink Excludes Lever Drain and Overflow**



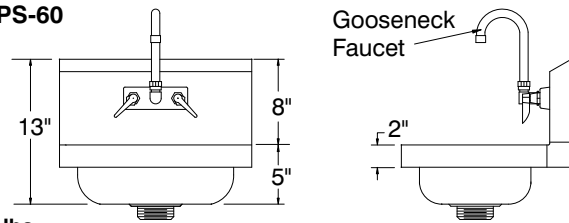
15 lbs.

**7-PS-67**



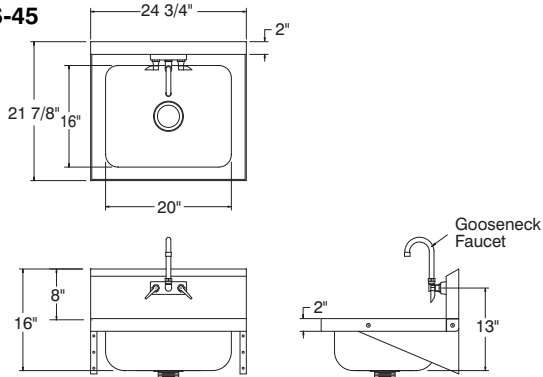
15 lbs.

**7-PS-60**



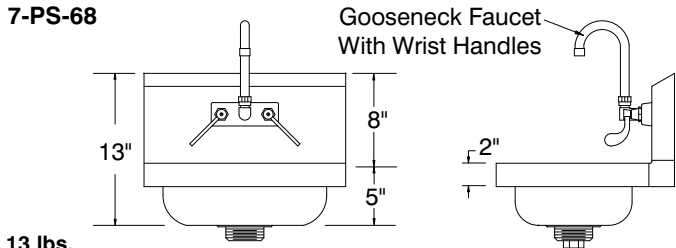
13 lbs.

**7-PS-45**



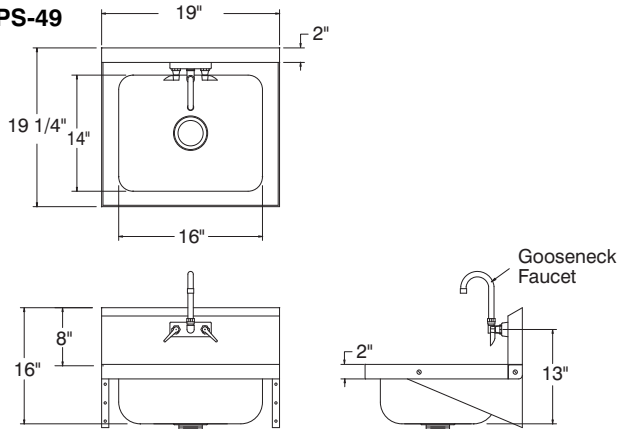
31 lbs.

**7-PS-68**



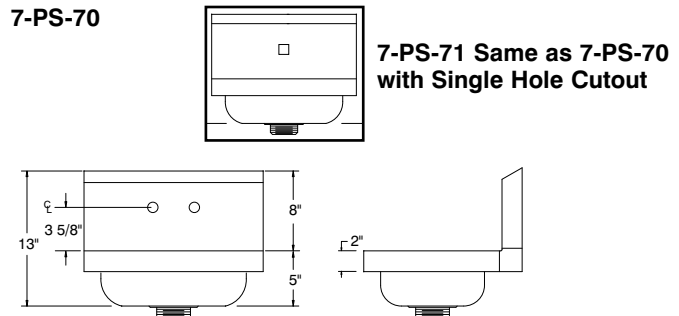
13 lbs.

**7-PS-49**



31 lbs.

**7-PS-70**



12 lbs.

**7-PS-71 Same as 7-PS-70 with Single Hole Cutout**

