



STAINLESS STEEL  
**HAND SINKS**  
**UNDERMOUNT PAPER TOWEL DISPENSER**  
**with DECK MOUNTED SOAP DISPENSER**



Keyhole Bracket for easier installation and greater stability.



**Item #:** \_\_\_\_\_ **Qty #:** \_\_\_\_\_  
**Model #:** \_\_\_\_\_  
**Project #:** \_\_\_\_\_



**7-PS-65**



**7-PS-88**

**FEATURES:**

- One piece **Deep Drawn** sink bowl design.
- 7-PS-65** sink bowl is 10" x 14" x 5".
- 7-PS-88** sink bowl size is 9" x 9" x 5".
- 7-PS-42 & 7-PS-43** sink bowls size is 10" x 14" x 5".
- Sink bowls have a large liberal radii with a minimum dimension of 2" for increased capacity.
- Keyhole wall mount bracket.
- Stainless steel basket drain 1-1/2" IPS.
- Undermount towel dispenser with hinged towel box. Unit accomodates standard C-fold towels.
- Deck Mounted Liquid Soap Dispenser.
- Deck mounted 4" O.C. faucet chrome plated & furnished with aerator.

**CONSTRUCTION:**

- All TIG welded.
- Welded areas blended to match adjacent surfaces and to a satin finish.
- Die formed Countertop Edge with a No-Drip offset.
- One sheet of stainless steel - No Seams.

**MATERIAL:**

- Heavy gauge type 304 series stainless steel.
- Wall mounting bracket is Galvanized and of offset design.
- All fittings are brass / chrome plated unless otherwise indicated.

**MECHANICAL:**

- Faucet supply is 1/2" IPS male thread hot and cold.

**Standard Faucet conforms to NSF 61 Standard 9. An optional faucet upgrade is required for compliance to AB 1953 Standards.**

For Replacement Faucets & Upgrades, Drains & Accessories visit our website at [www.advancetabco.com](http://www.advancetabco.com)



**Customer Service Available To Assist You 1-800-645-3166 8:30 am - 8:00 pm E.S.T.**  
 Email Orders To: [customer@advancetabco.com](mailto:customer@advancetabco.com). For Smart Fabrication™ Quotes, Email To: [smartfab@advancetabco.com](mailto:smartfab@advancetabco.com) or Fax To: 631-586-2933

**NEW YORK**  
 Fax: (631) 242-6900

**GEORGIA**  
 Fax: (770) 775-5625

**TEXAS**  
 Fax: (972) 932-4795

**NEVADA**  
 Fax: (775) 972-1578

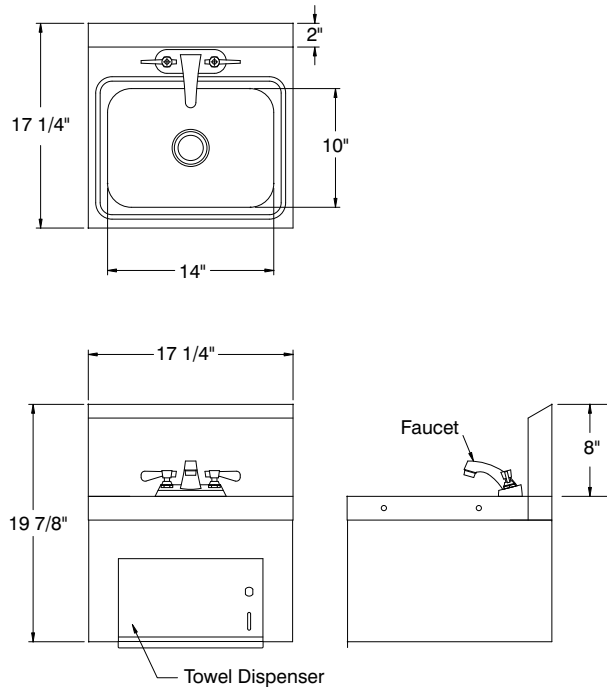
# DIMENSIONS and SPECIFICATIONS

TOL Overall:  $\pm .500''$  Interior:  $\pm .250''$

FITTINGS SUPPLIED AS SHOWN

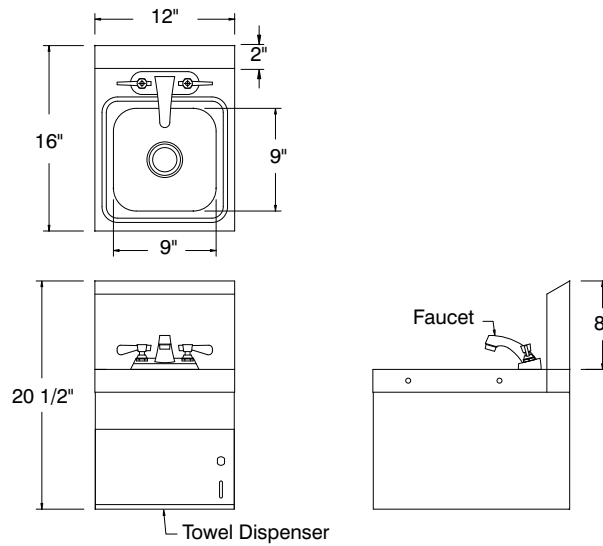
ALL DIMENSIONS ARE TYPICAL

## 7-PS-65



35 lbs.

## 7-PS-88



23 lbs.

