



STAINLESS STEEL EVERYDAY BUFFET HOT FOOD TABLES WITH SOLID BASE



**B3-120-B-SB Shown
with optional lights/heat lamps.**

Item #: _____ Qty #: _____
 Model #: _____
 Project #: _____

FEATURES:

- 4" Swivel Casters, with two brakes
- Double sided sneeze guard
- Fiberglass insulation
- Solid stainless steel tray shelf

MATERIAL:

- TOP:** 20 gauge #304 stainless steel with die stamped pan openings. (12" x 20")
- BODY:** 20 gauge steel available in matte black vinyl clad
- SNEEZE GUARD:** 1/4" Lexan®
- INSULATION:** Fiberglass insulation
- HEAT COMPARTMENT:** 20 gauge aluminum with exposed dome shape element (S/S wells optional)
- LINERS:** 8" deep, 22 Gauge galvanized or #302 stainless steel. Requires spillage pans, Add **Model # SP-A** (Aluminum) or **Model # SP-S** (S/S)

ELECTRICAL:

- Single phase wiring
- 120V units yield 500 Watts
- 208V/240V dual voltage units yield 750 Watts at 208V and 1000 Watts at 240V
- 6' electrical cord with plug
- Infinite control knobs
- Indicator lights



GALVANIZED LINERS	STAINLESS STEEL LINERS	Length	Width	Height	# of Wells	Weight (lbs.)	Cubic Feet	Volts	NEMA Plug	Power Consumption
B2-120-B-SB	B2-120-B-S-SB	31.8125"	22.625"	56.15"	2	235	43	120	5-20P	15/500
B3-120-B-SB	B3-120-B-S-SB	47.125"	22.625"	56.15"	3	260	62	120	5-20P	15/500
B4-120-B-SB	B4-120-B-S-SB	62.4375"	22.625"	56.15"	4	320	79	120	L5-30P	20/500
B2-240-B-SB	B2-240-B-S-SB	31.8125"	22.625"	56.15"	2	235	43	208/240	6-20P	15/750 • 20/1000
B3-240-B-SB	B3-240-B-S-SB	47.125"	22.625"	56.15"	3	260	61	208/240	6-20P	15/750 • 20/1000
B4-240-B-SB	B4-240-B-S-SB	62.4375"	22.625"	56.15"	4	320	79	208/240	L6-30P	20/750 • 30/1000
B5-240-B-SB	B5-240-B-S-SB	77.75"	22.625"	56.15"	5	360	97	208/240	L6-30P	20/750 • 30/1000

NOTE: Units are not designed to cook or heat frozen or refrigerated foods. Food placed in tables should already be hot, and the table will maintain the proper temperatures



NEMA PLUG 5-20P



NEMA PLUG 6-20P



NEMA PLUG L5-30P



NEMA PLUG L6-30P

Available Accessories

- Solid Tray Shelf - **Models TTS-(2-5)**
- Drop Down Solid Tray Shelf - **Models TTS-(2-5)D**
- Tubular Tray Rail - **Models TTR-(2-5)**
- Drop Down Tubular Tray Rail - **Models TTR-(2-5)D**
- Stainless End Shelf - **Model BES-2**

Optional Bullet Lights

Heat lamps installed and pre wired on Buffet Tables. 120 volt plug and cord supplied. Lamps finished in black only. (Bulbs by Others)

Lamp Model	Use with Model:
HL-2	B2 Series
HL-3	B3 Series
HL-4	B4 Series
HL-5	B5 Series



NEMA PLUG 5-15P



Customer Service Available To Assist You 1-800-645-3166 8:30 am - 8:00 pm E.S.T.

For Orders & Customer Service:

Email: customer@advancetabco.com or Fax: 631-242-6900

For Smart Fabrication™ Quotes:

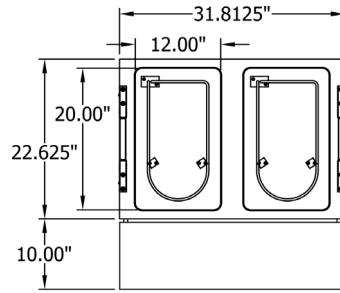
Email: smartfab@advancetabco.com or Fax: 631-586-2933

DIMENSIONS and SPECIFICATIONS

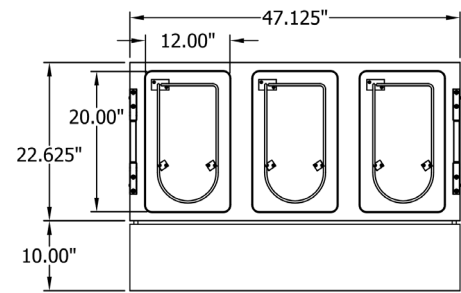
TOL ± .125"

ALL DIMENSIONS ARE TYPICAL

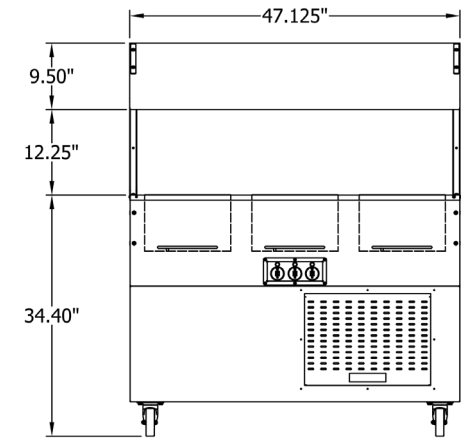
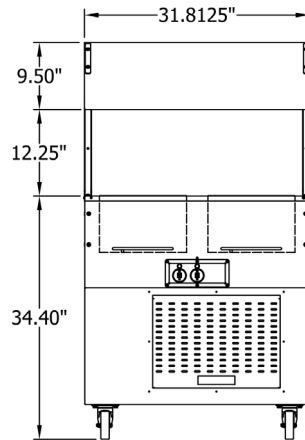
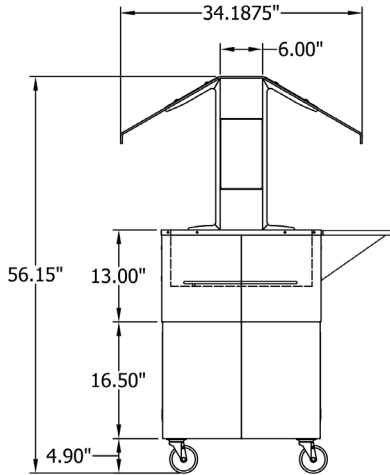
2 COMPARTMENT



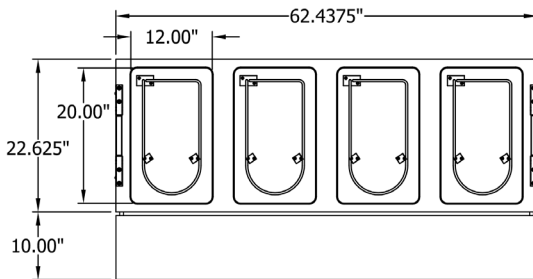
3 COMPARTMENT



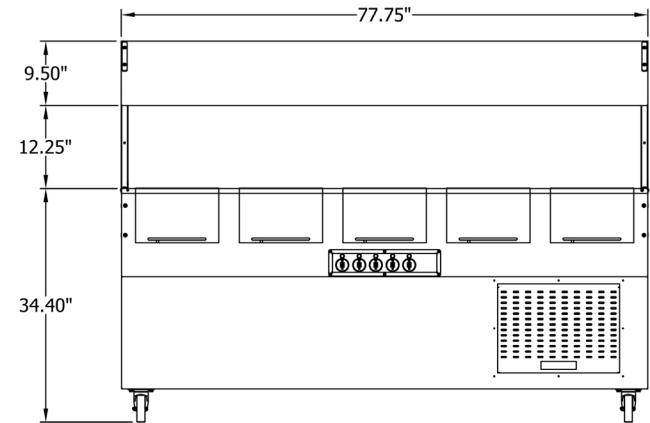
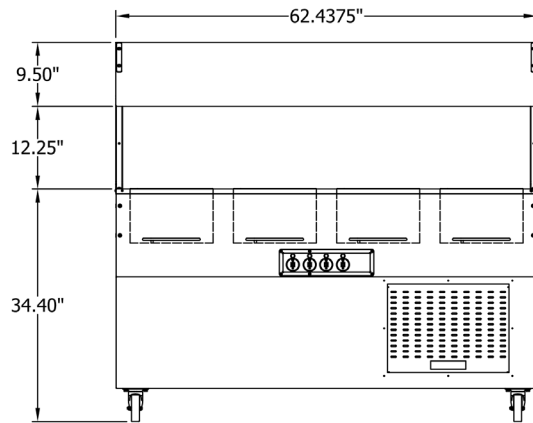
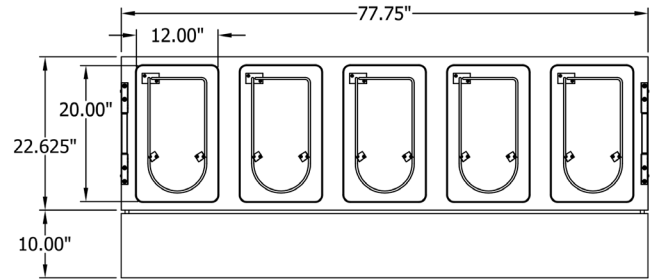
SIDE VIEW



4 COMPARTMENT



5 COMPARTMENT



ADVANCE TABCO is constantly engaged in a program of improving our products. Therefore, we reserve the right to change specifications without prior notice.