



# STAINLESS STEEL Combo Ice Bins w/ 7-Circuit Cold Plates 18" and 21" Wide Units



**SLCI Series**  
18" Wide Units



**CRCI Series**  
21" Wide Units

Item #: \_\_\_\_\_ Qty #: \_\_\_\_\_  
 Model #: \_\_\_\_\_  
 Project #: \_\_\_\_\_

**Bottle Racks Must Be Removed For NSF Compliance  
And For Use With Optional Cover.**

**FEATURES:**

- 4" backsplash.
- 12" deep ice bin.
- Insulated storage bin(s).
- Welded partition between bins.
- 7-Circuit cold plate sealed into the bottom.
- Two removable injection molded 3-pack plastic bottle racks.
- Black powder coated cross-braced legs, with adjustable black plastic bullet feet.

**CRCI Series** has 2 3/4" rear deck for extra storage.

**MECHANICAL:**

- 1" IPS drain - 12" ice bin.
- 1/2" IPS drain - bin with cold plate.

**MATERIAL:**

- Ice Bin, Front Apron, Backsplash:** 22 gauge, 300 stainless steel
- Sides:** 20 gauge, 430 stainless steel
- Understructure:** 22 gauge galvaneal front/back; 11 gauge electrogalvaneal leg channel
- Legs:** Black powder coated 1 5/8" O.D. 18 gauge, galvanized steel with adjustable black plastic bullet feet
- Cold Plate:** Cast aluminum with 7 circuits (5 syrup and 2 water lines) with 5/16" diameter stainless steel bump and swedge ends.
- Ice Bin Insulation:** 2 lbs. density foam-in-place

**OPTIONAL:**

- SU-10** - Upgrade to stainless steel legs and bullet feet
- SU-40** - Prep unit for installation of speed rail
- SSC-12** - Cover for 12" ice bin
- SSC-23** - Cover for 24" ice bin
- SSC-29** - Cover for 30" ice bin
- SSC-35** - Cover for 36" ice bin

18" WIDE			21" WIDE			(A)	(B)	(C)	# of Independent Bins	Ice Bin Capacity
Model #	Approx. Weight	Approx. Cu. Ft.	Model #	Approx. Weight	Approx. Cu. Ft.					
SLCI-36L-7	105 lbs.	13	CRCI-36L-7	114 lbs.	13	35"	29"	11 1/2"	2	77/35 lbs.
SLCI-36R-7	105 lbs.	13	CRCI-36R-7	114 lbs.	13	35"	29"	11 1/2"	2	35/77 lbs.
SLCI-42L-7	113 lbs.	13	CRCI-42L-7	121 lbs.	13	41"	35"	14 1/2"	2	98/35 lbs.
SLCI-42R-7	113 lbs.	13	CRCI-42R-7	121 lbs.	13	41"	35"	14 1/2"	2	35/98 lbs.
SLCI-48L-7	121 lbs.	14	CRCI-48L-7	127 lbs.	14	47"	41"	17 1/2"	2	119/35 lbs.
SLCI-48R-7	121 lbs.	14	CRCI-48R-7	127 lbs.	14	47"	41"	17 1/2"	2	35/119 lbs.
SLCI-48LR-7	136 lbs.	14	CRCI-48LR-7	145 lbs.	15	47"	6"/41"	23 1/2"	3	35/77/35 lbs.
SLCI-54LR-7	144 lbs.	15	CRCI-54LR-7	151 lbs.	16	53"	6"/41"	26 1/2"	3	35/98/35 lbs.
SLCI-60LR-7	152 lbs.	15	CRCI-60LR-7	158 lbs.	17	59"	6"/53"	29 1/2"	3	35/119/35 lbs.

L And R Indicate Ice Bin Location On Either Left Or Right Side. LR Indicates Ice Bin Is Centered.

ADVANCE TABCO  
SMART FABRICATION™  
www.advancetabco.com

**Customer Service Available To Assist You 1-800-645-3166 8:30 am - 8:00 pm E.S.T.**

For Orders & Customer Service:  
Email: customer@advancetabco.com or Fax: 631-242-6900

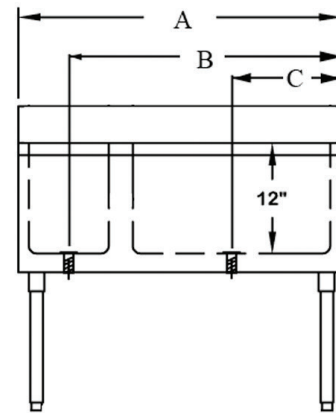
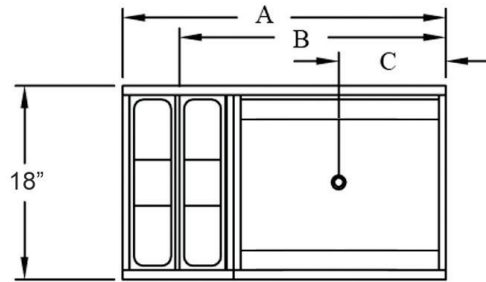
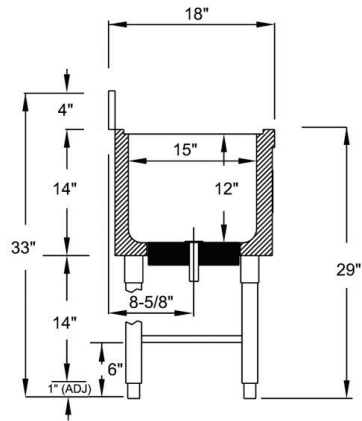
For Smart Fabrication™ Quotes:  
Email: smartfab@advancetabco.com or Fax: 631-586-2933

# DIMENSIONS and SPECIFICATIONS

TOL Overall:  $\pm .500"$  Interior:  $\pm .250"$

ALL DIMENSIONS ARE TYPICAL

## SLCI Series



## CRCI Series

